

# Booms



The Caldwell Group • 800-628-4263 Fax 815-229-5686

Lif-Truc™ Section  
Master Catalog MC-607

## Model FB - Fork Lift Booms - Telescopic

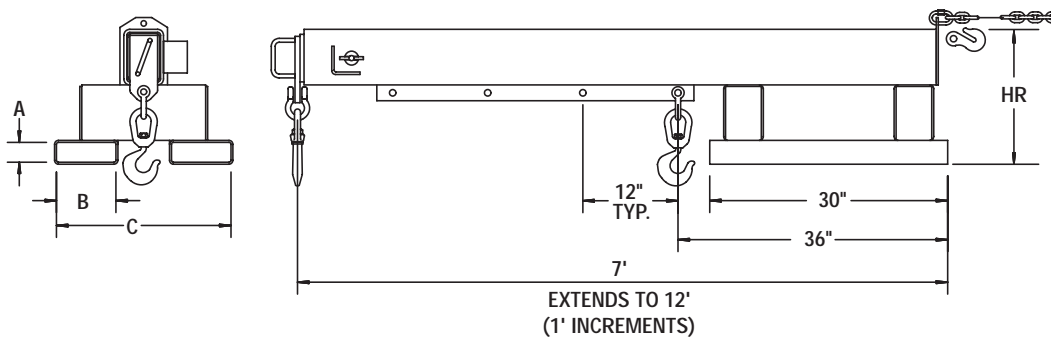
The Fixed Boom, Model FB, has a telescoping boom with a maximum horizontal reach of 12 feet. This model is available in 3,000, 4,000, 6,000 and 8,000 lb. capacities.

### PRODUCT FEATURES:

- Alternate hook positions
- Telescoping booms
- Restraining chain with grab hook
- Hand pull at end for easy extension
- Eye hooks with hook latches
- Boom locking t-pin



Model FB  
Fixed Type Fork Lift Boom



### SPECIFICATIONS

Model Number	Fork Pocket A x B (in.)	Pocket Spacing C (in.)	Headroom (in.)	Maximum Capacity @ Hook Position (lbs.)							Weight (lbs.)
				3'-6'	7'	8'	9'	10'	11'	12'	
FB-30	2-1/2 X 7-1/2	22-1/2	16	3000	3000	2600	2200	1900	1600	1500	340
FB-40			16	4000	3200	2600	2200	1900	1600	1500	340
FB-60	2-1/2 X 7-1/2	22-1/2	17	6000	5000	4200	3500	3000	2700	2500	390
FB-80			18	8000	7000	5700	4800	4100	3600	3100	520

# Booms

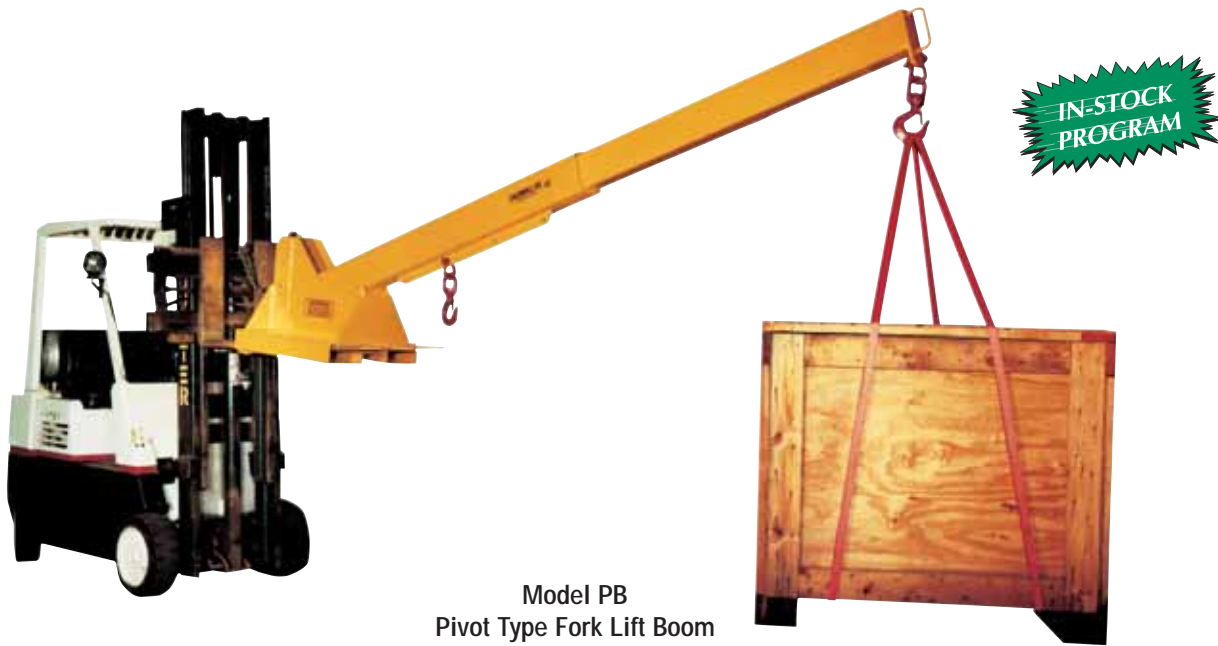


## Model PB - Fork Lift Booms - Pivoting

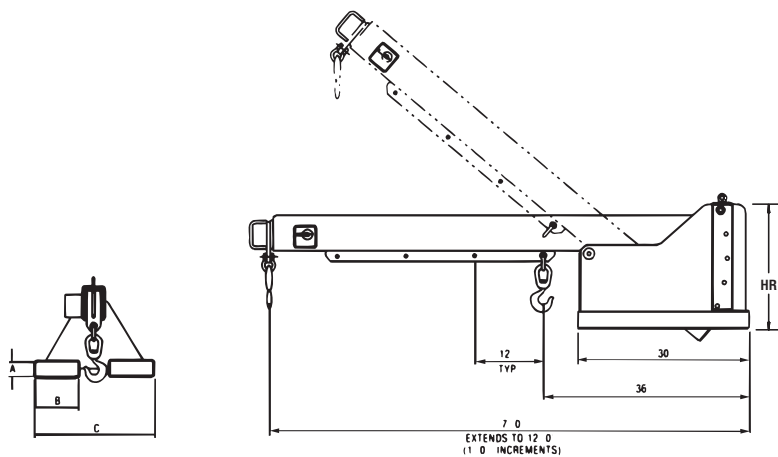
The Pivot Boom, Model PB, has a telescoping boom with a maximum horizontal reach of 12 feet. This model is available in 3,000, 4,000, 6,000 and 8,000 lb. capacities. The versatile Model PB is adjustable vertically in five increments up to a maximum of 40 degrees.

### PRODUCT FEATURES:

- Alternate hook positions
- Telescoping booms
- Restraining chain with grab hook
- Boom locking t-pin
- Hand pull at end for easy extension
- Eye hooks with hook latches
- Vertically pivoting boom to 6'-4" height



Model PB  
Pivot Type Fork Lift Boom



### SPECIFICATIONS

Model Number	Fork Pocket A x B (in.)	Pocket Spacing C (in.)	Headroom (in.)	Maximum Capacity @ Hook Position (lbs.)							Weight (lbs.)
				3'-6'	7'	8'	9'	10'	11'	12'	
PB-30	2-1/2 X 7-1/2	22-1/2	22.6	3000	3000	2600	2200	1900	1600	1500	350
PB-40			22.6	4000	3200	2600	2200	1900	1600	1500	350
PB-60	2-1/2 X 7-1/2	22-1/2	22.6	6000	5000	4200	3500	3000	2700	2500	420
PB-80			22.6	8000	7000	5700	4800	4100	3600	3100	540

# Booms



## Model EB - Fork Lift Booms - Fixed

These economical Fixed Length Boom attachments can be efficiently utilized when telescoping capability is not required.



Fixed Length Model  
EB-40 Shown

**IN-STOCK PROGRAM**

### PRODUCT FEATURES:

- Swivel hooks with hook latches.
- Fixed length, adjustable hooks.
- Restraining chain with grab hook.

### EB-15 - Light Weight

- Accepts up to a 2" wide sling.
- Optional swivel hook available.

### EB-40 - Fixed Length

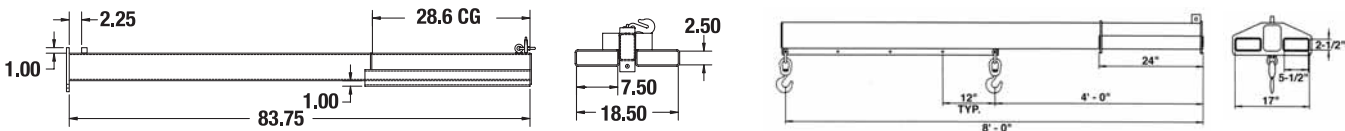
- 5 alternate hook positions
- Fixed or swivel hooks available

### SPECIFICATIONS

#### HARDWARE OPTION



Model Number	Maximum Capacity (lbs.)	Headroom (in.)	Maximum Capacity @ Hook Position - (lbs.)					Weight (lbs.)
			4'	5'	6'	7'	8'	
EB-15	1500	7	-	-	-	-	-	185
EB-40	4000	6.3	4000	3500	3000	2500	2000	220



## Model EFB - Extended Fork Lift Boom

Get the Extra Reach You Need with our Extended Fork Lift Boom

Designed specifically for use with off-road fork trucks, this fork boom has four different hook positions on 12" increments from 12' to 15'. Low profile design is easy to store when not in use.

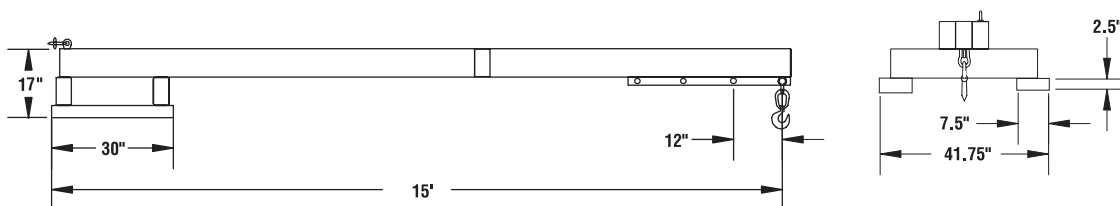


### PRODUCT FEATURES:

- 12' to 15' hook position.
- Extra wide fork pockets.
- Restraining chain with grab hook standard.

### SPECIFICATIONS

Model Number	Maximum Capacity @ Hook Position - (lbs.)				Weight (lbs.)
	12'	13'	14'	15'	
EFB-25	2,500	2,300	2,100	2,000	665



# Booms



## Model ROB - Fork Lift Booms - Reach Over

This Reach Over Boom can be utilized where an extension boom is required and bottom clearance is more than normally experienced.

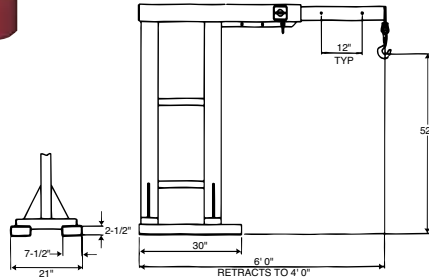
### PRODUCT FEATURES:

- Multiple hook positions.
- Telescoping boom.
- Restraining chain with grab hook.



### SPECIFICATIONS

Model Number	Maximum Capacity (lbs.)	Weight (lbs.)
ROB-40	4,000	470
CAPACITY AT HOOK POSITION		
4'	4,000 lbs.	
5'	3,500 lbs.	
6'	1,800 lbs.	



## Model FCJ - Fork Lift Boom - Carriage Jib

The Carriage Jib Boom attachment can be utilized when fork obstruction is undesirable.

### PRODUCT FEATURES:

- Articulating boom (15° left & right of center).
- Designed for ITA Class II fork carriages.
- Multiple hook positions.



### SPECIFICATIONS

Model Number	Maximum Capacity (lbs.)	Weight (lbs.)
FCJ-40	4,000	310
CAPACITY AT HOOK POSITION		
3'	4,000 lbs.	
4'	3,000 lbs.	
5'	2,300 lbs.	
6'	1,800 lbs.	

