

CHESTER HOIST

Service Instructions and Parts List

ADJUSTABLE SWIVEL TRUCK TROLLEYS

CHESTER SWIVEL TRUCK TROLLEYS

The Chester overhead adjustable swivel trolley is a relatively simple mechanism, requiring comparatively little care and offering little difficulty in maintenance, inspection and lubrication.

The following suggestions will further simplify the effort required to keep the trolley in good working condition, and if regularly followed will contribute measurably to its useful working life.

GENERAL MAINTENANCE

Thorough inspection is recommended at regular intervals. The frequency of inspection may best be determined by the user, since application factors such as duty cycles, and ambient conditions, will dictate the maintenance requirements.

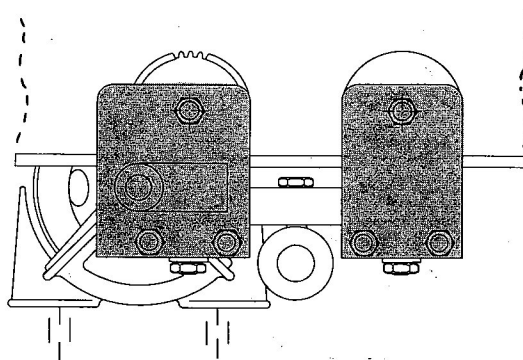
When inspections are made, the entire trolley should be examined for visible wear, or for damage such as may be sustained through overloading or impact with other objects. Replace all damaged parts as soon as possible.

Check, also, the ease of traverse along the supporting track of a push-pull or hand-gearred trolley, to indicate whether relubrication or parts replacements may be required.

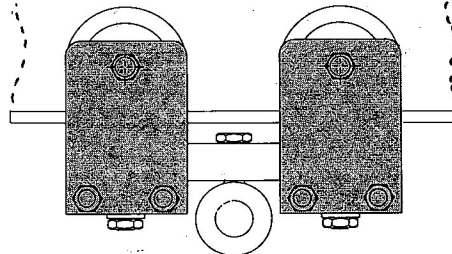
LUBRICATING THE TROLLEY

Swivel trolleys are built with fully sealed ball bearings or sealed tapered roller bearings. The sealed ball bearings should not require relubrication at any time. The sealed tapered roller bearings contain a large initial supply of lubricant that can easily be replenished whenever necessary.

Lubrication is simplified by the availability of hydraulic type grease fittings at all required points for trolley wheels or axles and handwheel shaft supports. Use NLGI No. 2 grease.



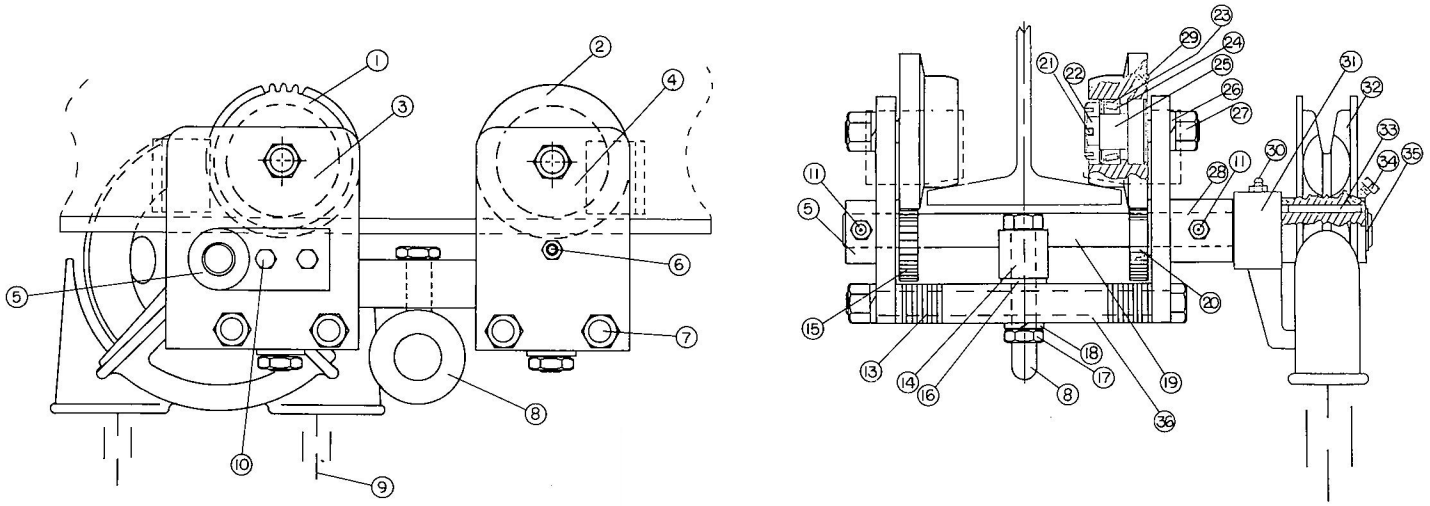
GEARED UNIT



PLAIN UNIT

CAUTION: THE EQUIPMENT ILLUSTRATED AND DESCRIBED IN THIS BULLETIN IS DESIGNED FOR MANUAL OPERATION ONLY AND IS NOT TO BE POWER DRIVEN, NOR IS IT SUITABLE FOR TRANSPORTING PERSONS!

WARNING: THIS TROLLEY IS DESIGNED FOR VERTICAL DOWNWARD LOADS ONLY. NEVER LOAD TROLLEY BEYOND ITS RATED CAPACITY. (See capacity plate on trolley).

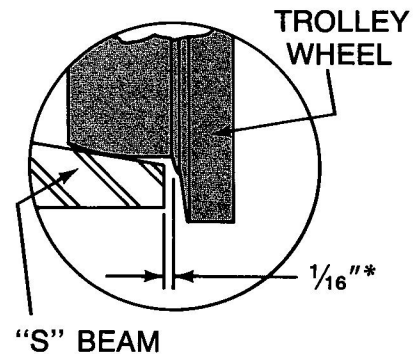


SWIVEL TRUCK TROLLEY PARTS LIST

NO.	DESCRIPTION	REQ.	1/4 & 1/2 TON	1 TON	1-1/2 & 2 TON	3 & 4 TON	5 & 6 TON
1	Geared Wheel	2	C-30555	C-9203-1/2	C-9203-1	C-9203-2	C-9203-3
2	Plain Wheel	2	C-9203-1/4	C-9203-1/2	C-9203-1	C-9203-2	C-9203-3
3	Geared Side Plate	2	C-30550R1	C-30559R1	C-30565R1	C-30571R1	C-30580R1
4	Plain Side Plate	2	C-30554R1	C-30558R1	C-30563R1	C-30570R1	C-30578R1
5	Bearing Block Plain Side	1	C-906-B	C-906-B	C-906-B	C-906-B	C-906-B
6	Separator Stud Nuts & L.W.	2	—	—	—	C-30573	C-30581
7	Through Bolt Nut & L.W.	4	2-625-8	2-625-8	2-625-9	3-75-11 1/2	4-1.25-13 1/2
8	Load Eye with Nut	1	C-30552	C-30561	C-30564	C-30572	C-30583
9	Hand Chain	1	C-938 7	C-937	C-937	C-937	C-937
10	Bearing Block Bolt & L.W.	4	2-312-1	2-312-1	2-312-1	2-312-1	2-312-1
11	Lube Fitting	1	1743-B	1743-B	1743-B	1743-B	1743-B
13	Spacers		C-9215-1/2	C-9215-1/2	C-9215-1 1/2	C-30576	C-30579
14	Load Bar	1	C-30553	C-30557	C-30566	C-30575	C-30582
15	Pinion Gear w/Set Screw	2	C31385	C31385	C31385	C31377	C31377
16	Pintle Bolt Bearing/Bushing	2	FL-66-8	FL-66-8	SS-2436-16 ST-2444-4	FL-89-12	AA-1212-11 T-101
17	Pintle Bolt w/Nut	2	2-625-3	2-625-3 1/4	2-75-3 1/4	2-875-4 1/2	2-1-5
18	Pintle Bolt Washer	2	21-625	21-625	21-75	21-875	21-1
19	Trolley Drive Shaft	1	C-9211-1/2	C-9211-1/2	C-9211-1/2	C-30569-RI	C-30577
20	Pinion Gear Key	2	1/4" x 1/4" x 1/2"	1/4" x 1/4" x 5/8"	1/4" x 1/4" x 5/8"	1/4" x 1/4" "	1/4" x 1/4" x 1/2"
21	Trolley Axle Cotter Key	4	—	—	—	1-125-1 3/4	1-125-1 3/4
22	Trolley Axle Adjustable Nut	4	—	—	—	17-1.25-2A	17-1.25-2A
23	Bearing Cup	8	—	—	—	LM-67010	LM-67010
24	Bearing Cone	8	P-99502-H	P-99502-H	N-7335DC	LM-67048	LM-67048
25	Wheel Axle w/Spacers	4	C-9110-1/4	C-9110-1/4	C-9110-1 1/2	C-9110-3	C-9110-3
26	Wheel Axle L.W.	4	20-625	20-625	20-75	20-1	20-1
27	Wheel Axle Nut	4	13-625-2A	13-625-2A	9-75-2A	9-1-2A	9-1-2A
28	Bearing Block H.W. Side	1	C-906-B	C-906-B	C-906-B	C-906-B	C-906-B
29	Lube Fitting Wheel	1	—	—	—	1743-B	1743-B
30	Lube Fitting	1	1743-B	1743-B	1743-B	1743-B	1743-B
31	H.W. Swinging Guard	1	8 PG	8PG	8PG	12PG	15PG
32	Hand Wheel	1	8P	8P	8P	12P	15P
33	Hand Wheel Key	1	1/4" x 1/4" x 1 1/2"	1/4" x 1/4" x 1 1/2"	1/4" x 1/4" x 1 1/2"	1/4" x 1/4" x 2"	1/4" x 1/4" x 2"
34	Hand Wheel Set Screw	1	8-25-375	8-25-375	8-25-375	8-375-1 1/4	8-375-1 1/4
35	Hand Wheel Snap Ring	2	5100-87	5100-87	5100-87	5100-87	5100-87
36	Cross Piece	2	C-982-1/2	C-982-1/2	C-982-1 1/2	C-30574-RI	C-30584RI

BEAM ADJUSTMENT
 Beam flange plus 1/16" running clearance each end of flange is correct trolley setting. Use spacers (Item 13) to inside or outside of side plate as required.
 The pintle bolt (Item 16) must be kept on center line of beam. An 1/8" variance either direction is permissible.

NOTE: When 3 through 6 ton trolleys are disassembled for any reason, it is imperative that upon reassembly the adjustable length Separator Stud (Item 6) be adjusted to a length equal to the cross piece (Item 36) and the number of spacers (Item 13) that are between the two side plates.
 i.e. The side plates must be parallel to each other from the axle mounting location (Item 27) to the through bolt location (Item 7).



"THIS 1/16" CLEARANCE APPLIES TO "S" BEAMS, "W" BEAMS, AND PAT. TRACK.

MINIMUM BILLING: \$25.00 NET

DEPENDING UPON THE PART AND QUANTITY ORDERED, A MINIMUM ORDER CHARGE MAY BE ASSESSED.