
OWNER'S MANUAL

MANUAL TROLLEY HOIST

MODEL SHB

1 Ton through 10 Ton Capacity

Code, Lot and Serial Number

! WARNING

This equipment should not be installed, operated or maintained by any person who has not read and understood all the contents of this manual. Failure to read and comply with the contents of this manual can result in serious bodily injury or death, and/or property damage.

HARRINGTON
HOISTS AND CRANES

IMPORTANT INFORMATION ON HOW TO USE THIS MANUAL

This OWNER'S MANUAL is intended for use *in combination* with the “Owner’s Manual for Manual Chain Hoist CB Series Model M3 1/2 Ton through 20 Ton Capacity”. Refer to the Table of Contents below to determine the location(s) of information pertaining to your trolley hoist. References to the “Owner’s Manual for Manual Chain Hoist CB Series Model M3 1/2 Ton through 20 Ton Capacity” will be designated by the use of the acronym “**M3CBOM**”.

Table of Contents

Section	Page Number
1.0 Important Information and Warnings	4
1.1 Terms and Summary	
1.2 Warning Tags and Labels	
2.0 Technical Information.....	8
2.1 Specifications	
2.2 Dimensions	
2.3 Optional Equipment	
3.0 Preoperational Procedures	11
3.1 Trolley Adjustment	
3.2 Chain	
3.3 Installation of Trolley Hoist onto Beam	
3.4 Preoperational Checks and Trial Operation	
4.0 Operation	20
4.1 Introduction	
4.2 Shall's and Shall Not's for Operation	
4.3 Hoist Operation	
4.4 Trolley Operation	
5.0 Inspection	24
5.1 General	
5.2 Inspection Classification	
5.3 Frequent Inspection	
5.4 Periodic Inspection	

Section

Page Number

5.5	Occasionally Used Hoists	
5.6	Inspection Records	
5.7	Inspection Methods and Criteria	
6.0	Maintenance & Handling	31
6.1	Lubrication	
6.2	Storage	
6.3	Outdoor Installation	
6.4	Operational Environment	
7.0	Troubleshooting	32
8.0	Warranty	34
9.0	Parts List	35

1.0 Important Information and Warnings

1.1 Terms and Summary

This manual provides important information for personnel involved with the installation, operation and maintenance of this product. Although you may be familiar with this or similar equipment, it is strongly recommended that you read this manual before installing, operating, or maintaining the product.

Danger, Warning, Caution, and Notice

Throughout this manual there are steps and procedures that can present hazardous situations. The following signal words are used to identify the degree or level of hazard seriousness.

▲ DANGER Danger indicates an imminently hazardous situation which, if not avoided, **will** result in **death or serious injury**, and property damage.

▲ WARNING Warning indicates an imminently hazardous situation which, if not avoided, **could** result in **death or serious injury**, and property damage.

▲ CAUTION Caution indicates a potentially hazardous situation which, if not avoided, **may** result **minor or moderate injury** or property damage.

NOTICE Notice is used to notify people of installation, operation, or maintenance information which is important but not directly hazard-related.

▲ CAUTION

These general instructions deal with the normal installation, operation, and maintenance situations encountered with the equipment described herein. The instructions should not be interpreted to anticipate every possible contingency or to anticipate the final system, crane, or configuration that uses this equipment. For systems using the equipment covered by this manual, the supplier and owner of the system are responsible for the system's compliance with all applicable industry standards, and with all applicable federal, state, and local regulations/codes.

This manual includes instructions and parts information for a variety of hoist types. Therefore, all instructions and parts information may not apply to any one type or size of specific hoist. Disregard those portions of the instructions that do not apply.

Record your hoist's Code, Lot and Serial Number (see Section 9) on the front cover of this manual for identification and future reference to avoid referring to the wrong manual for information or instructions on installation, operation, inspection, maintenance, or parts.

Use only Harrington authorized replacement parts in the service and maintenance of this hoist.

WARNING

Equipment described herein is not designed for and **MUST NOT** be used for lifting, supporting, or transporting people, or for lifting or supporting loads over people.

Equipment described herein should not be used in conjunction with other equipment unless necessary and/or required safety devices applicable to the system, crane, or application are installed by the system designer, system manufacturer, crane manufacturer, installer, or user.

Modifications to upgrade, rerate, or otherwise alter this equipment shall be authorized only by the original equipment manufacturer.

Equipment described herein may be used in the design and manufacture of cranes or monorails. Additional equipment or devices may be required for the crane and monorail to comply with applicable crane design and safety standards. The crane designer, crane manufacturer, or user is responsible to furnish these additional items for compliance. Refer to ANSI/ASME B30.17, "Safety Standard for Top-Running Single Girder Cranes"; ANSI/ASME B30.2 "Safety Standard for Top-Running Double-Girder Cranes"; and ANSI/ASME B30.11 "Safety Standard for Underhung Cranes and Monorails".

If a below-the-hook lifting device or sling is used with a hoist, refer to ANSI/ASME B30.9, "Safety Standard for Slings" or ANSI/ASME B30.20, "Safety Standard for Below-the-Hook Lifting Devices".

Hoists used to handle hot molten material may require additional equipment or devices. Refer to ANSI Z241.2, "Safety Requirements for Melting and Pouring of Metals in the Metalcasting Industry".

Failure to read and comply with any one of the limitations noted herein can result in serious bodily injury or death, and/or property damage.

NOTICE

It is the responsibility of the owner/user to install, inspect, test, maintain, and operate a trolley or hoist in accordance with ANSI/ASME B30.16, "Safety Standard for Overhead Hoists", OSHA Regulations and ANSI/NFPA 70, "National Electric Code". If the trolley is installed as part of a total lifting system, such as an overhead crane or monorail, it is also the responsibility of the owner/user to comply with the applicable ANSI/ASME B30 volume that addresses that type of equipment.

It is the responsibility of the owner/user to have all personnel that will install, inspect, test, maintain, and operate a hoist read the contents of this manual and applicable portions of ANSI/ASME B30.16, "Overhead Hoists (Underhung)" and OSHA Regulations. If the trolley is installed as part of a total lifting system, such as an overhead crane, the applicable ANSI/ASME B30 volume that addresses that type of equipment must also be read by all personnel.

If the hoist owner/user requires additional information, or if any information in the manual is not clear, contact Harrington or the distributor of the hoist. Do not install, inspect, test, maintain, or operate this hoist unless this information is fully understood.

A regular schedule of inspection of the hoist in accordance with the requirements of ANSI/ASME B30.16 should be established and records maintained.

1.2 Warning Tags and Labels

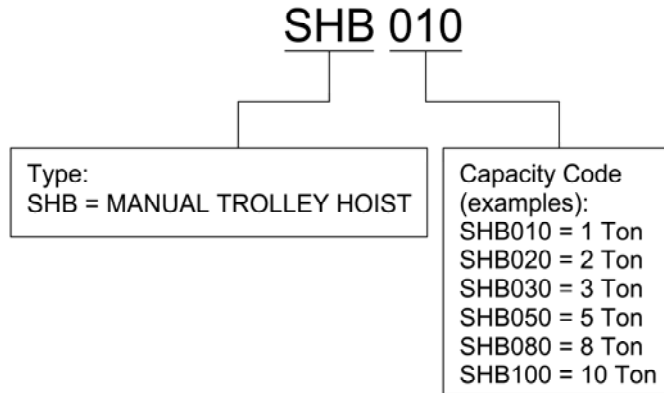
The warning tag illustrated below in Figure 1-1 is supplied with each hoist shipped from the factory. If the tag is not attached to your trolley hoist's no-load side of the load chain, order a tag from your dealer and install it. Read and obey all warnings attached to this hoist. Tag is not shown actual size.



2.0 Technical Information

2.1 Specifications

2.1.1 Product Code



2.1.2 Operating Conditions and Environment

Temperature range: -4° to +140°F (-20° to +60°C)

Humidity: 100% or less (Not an Underwater Device)

Table 2-1 SHB Trolley Hoist Specifications

Cap. (Tons)	Product Code	Headroom C (in)	Std Lift ¹ (ft)	Pull to Lift Load (lbs)	Min. Radius for Curve ² (in)	Flange Width Adjustability B (in)		Load Chain Dia. (mm) x Chain Fall Lines	Net Weight ³ (lbs)	Shipping Weight Approx. (lbs)	Weight for Add'l. One ft of Lift (lbs)
						Standard	Option				
1	SHB010	4.5	20	64	N/A	2.28 to 6.42	6.43 to 12.00	5.0 x 2	166	176	2.0
2	SHB020	5.7		58		3.23 to 8.03	8.04 to 12.00	7.1 x 2	271	281	2.8
3	SHB030	6.5		74		3.94 to 8.03		8.0 x 2	385	395	3.1
5	SHB050	7.7		90			9.0 x 2	655	665	3.7	
8	SHB080	10.0		74		5.50 to 8.66	8.67 to 12.00	9.0 x 4	858	868	6.1
10	SHB100			96							

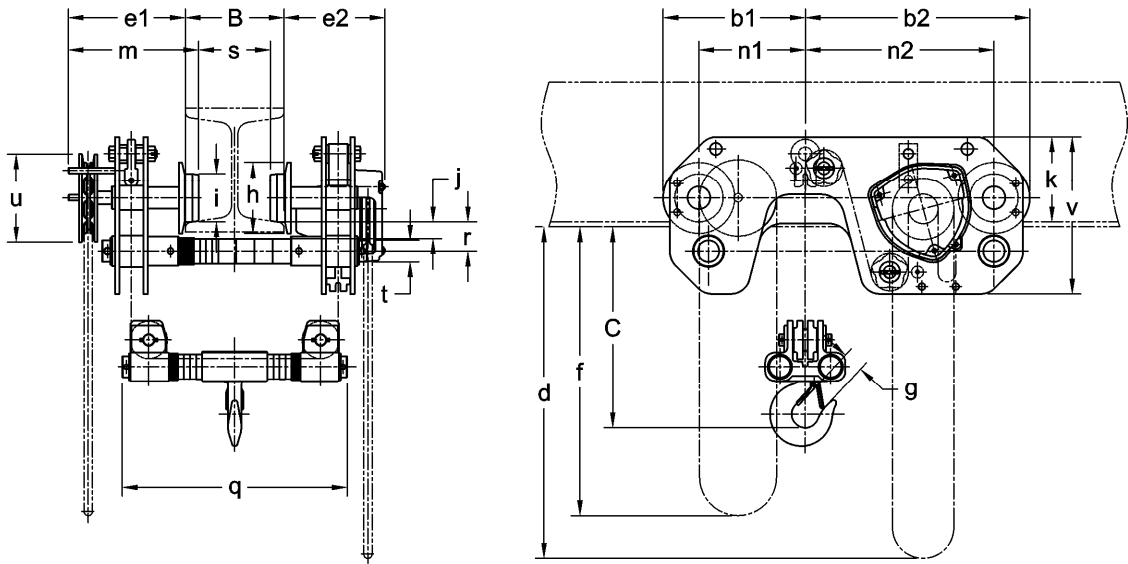
¹Special lengths of load and hand chain available upon request.

²Due to wheelbase length, the SHB cannot negotiate a curve.

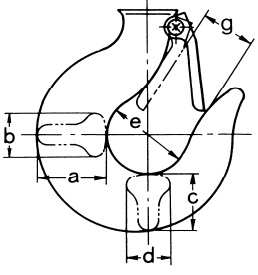
³Weights are for standard flange width.

2.2 Dimensions

Table 2-2 SHB Trolley Hoist Dimensions



Cap. (Tons)	Product Code	b1 (in)	b2 (in)	d (ft)	e1 (in)	e2 (in)	f (in)	g (in)	h (in)	i (in)	j (in)	k (in)	m (in)	n1 (in)	n2 (in)	q (in)	r (in)	s (in)	t (in)	u (in)	v (in)
1	SHB010	8.0	13.5	19.3	7.9	7.0	19.3	1.1	4.17	2.80	1.0	4.5	8.7	5.9	11.4	14.6	1.8	B-1.6	1.22	6.02	9.6
2	SHB020	9.6	15.7		8.9	7.6		1.4	5.00	3.35	1.2	6.6	9.9	7.1	13.2	17.3	2.1	B-2.0	1.42		11.4
3	SHB030	11.6	18.3		9.5	8.1		1.7	5.83	3.94	1.3	7.0	10.6	8.7	15.4	18.3	2.4	B-2.2	1.73	7.20	12.8
5	SHB050	13.8	21.3		10.5	8.8		1.8	6.65	4.65	1.4	8.8	11.9	10.4	17.9	19.5	2.8	B-2.9	2.17		15.4
8	SHB080	15.5	23.1		11.4	8.5		2.4	7.29	6.10	1.3	10.5	13.2	11.8	19.4	19.6	3.3	B-3.5	2.76	8.43	16.5
10	SHB100																				

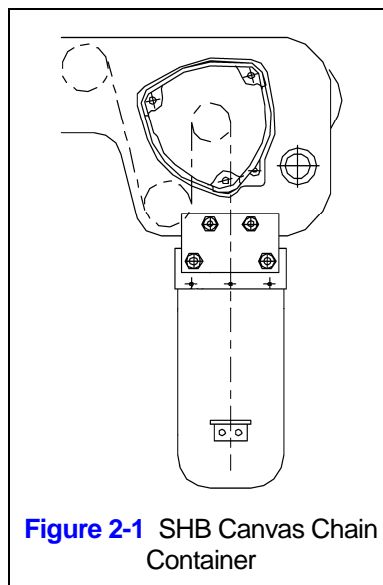
Table 2-3 Bottom Hook Dimension*							
							
B = Bottom Hook Units = inch (mm)							
Cap. (Tons)	Product Code	a	b	c	d	e	g
1	SHB010	1.0 (26)	0.6 (16)	0.9 (22)	0.6 (16)	1.7 (43)	1.1 (29)
2	SHB020	1.4 (36)	0.9 (22)	1.2 (30)	0.9 (22)	2.0 (50)	1.4 (36)
3	SHB030	1.8 (45)	1.1 (27)	1.5 (38)	1.1 (27)	2.2 (56)	1.7 (43)
5	SHB050	2.2 (56)	1.4 (35)	1.9 (48)	1.4 (35)	2.5 (63)	1.8 (47)
8	SHB080	3.3 (83)	2.2 (55)	2.9 (73)	1.9 (48)	3.3 (85)	2.4 (62)
10	SHB100	3.3 (83)	2.2 (55)	2.9 (73)	1.9 (48)	3.3 (85)	2.4 (62)

*Refer to Section 5.7 for inspection dimensions and limits.

2.3 Optional Equipment

2.3.1 Optional Chain Containers

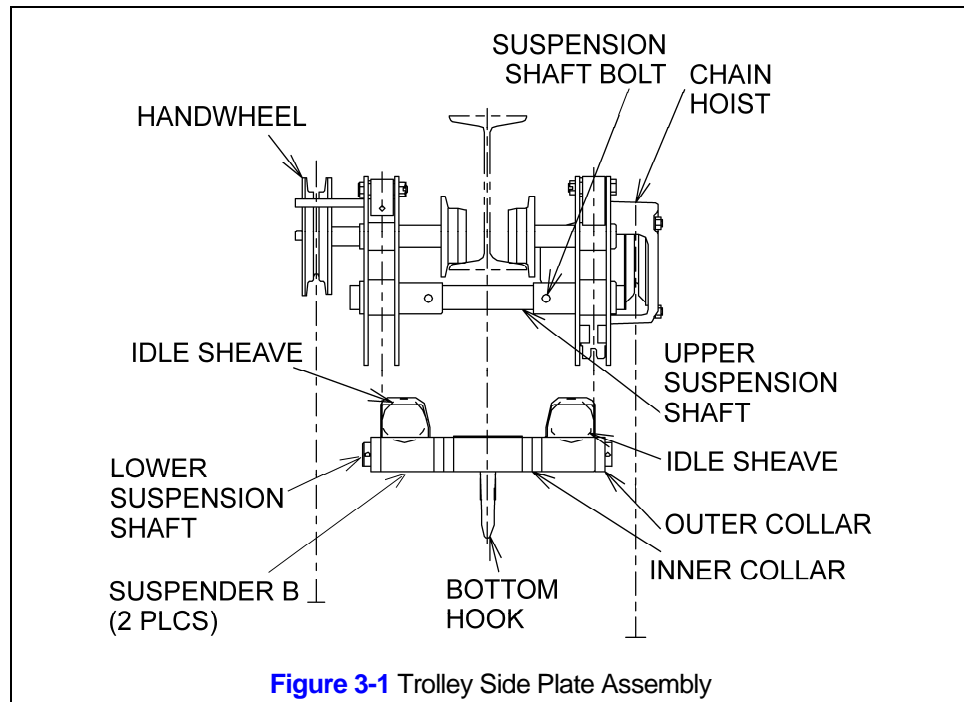
- Chain containers are sized based on the capacity and lift of the hoist. The containers are constructed from vinyl coated canvas with a steel frame on top. The containers are prepared differently depending on the host model. See Harrington Hoists, Inc. document EDOC0154 for sizing information.



3.0 Preoperational Procedures

3.1 Trolley Adjustment

- 3.1.1 **NOTICE** Before use, the trolley can be adjusted in increments of 1/8" by simply inserting or removing adjusting spacers to fit a variety of beam flanges. Adjustments must be made to the Upper Suspension Shaft and to the Lower Suspension Shaft.
- 3.1.2 To adjust the Upper Suspension Shaft reference [Figure 3-1](#) and [Table 3-2](#). Proceed with the following instructions:
1. Remove all of the suspension shaft bolts.
 2. Shift both the handwheel (Side Plate G) and manual chain hoist (Side Plate S) collars to the appropriate hole positions according to the selected beam width. Reinsert the appropriate number of inner spacers for the desired flange width as indicated in [Table 3-2](#).
 3. "Inner" means between the side plates and "outer" means outside of the side plates.
 4. For designations such as "X + Y", "X" is on the trolley hand wheel side and "Y" is on the hoist side.



- 3.1.3 To adjust the Lower Suspension Shaft reference [Figure 3-1](#) and [Table 3-3](#). Proceed with the following instructions:
1. Remove all of the lower suspension shaft pins.
 2. To make the adjustment, replace the inner and outer collars as shown in [Figure 3-1](#).
 3. [Table 3-3](#) provides the spacer arrangement information. Take note of the number of spacers on the "inner" side.
 4. "Inner" means between the suspender "B's", and "outer" means outside of the suspender "B's".
 5. For designations such as "X + Y", "X" is on the trolley hand wheel side and "Y" is on the hoist (CB) side.

Table 3-2 Number of Adjusting Spacers - Upper Suspension Shaft

Beam Flange Width		(in)	25/16	2 1/2	2 5/8	2 7/8	3	3 1/4	3 9/16	3 7/8	3 15/16	4	4 3/16	4 7/16	4 11/16	4 15/16	5	5 3/16	5 5/16	5 3/8	5 1/2	5 5/8	5 7/8	6	6 3/16	6 5/16	6 7/16	
Cap (Ton)	Spacer Type	(mm)	58	64	66	73	76	82	91	98	100	102	106	113	119	125	127	131	135	137	140	143	150	153	157	160	163	
1	Thin	Inner	1	3	0	2	3	1	0	2	2	3	0	3	1	2	3	0	2	2	3	0	2	3	1	2	3	
		Outer	1+3	1+1	1+4	1+2	1+1	1+3	1+4	1+2	1+2	1+1	1+4	1+1	1+3	1+2	1+1	1+4	1+2	1+2	1+1	1+4	1+2	0+2	2+2	1+2	1+1	
	Thick	Inner	1	1	2	2	2	3	4	4	4	4	1	1	2	2	2	3	3	3	3	4	4	4	4	5	5	5
		Outer	1+3	1+3	1+2	1+2	1+2	1+1	1+0	1+0	1+0	1+0	1+3	1+3	1+2	1+2	1+2	1+1	1+1	1+1	1+1	1+1	1+0	1+0	1+0	0+0	0+0	0+0
	Fixing	Inner	1	1	1	1	1	1	1	1	1	1	2	2	2	2	2	2	2	2	2	2	2	2	2	2	2	2
		Outer	0+1	0+1	0+1	0+1	0+1	0+1	0+1	0+1	0+1	0+1	0+0	0+0	0+0	0+0	0+0	0+0	0+0	0+0	0+0	0+0	0+0	0+0	0+0	0+0	0+0	0+0
C	Inner	2	2	2	2	2	2	2	2	2	2	2	2	2	2	2	2	2	2	2	2	2	2	2	2	2	2	
	Outer																											
2	Thin	Inner						5	3	6	6	3	4	6	4	6	3	4	5	6	3	4	6	3	4	5	6	
		Outer						3+2	3+4	3+1	3+1	3+4	3+3	3+1	3+3	3+1	3+4	3+3	3+2	3+1	3+4	3+3	3+1	3+4	3+3	3+1	3+4	
	Thick	Inner						1	2	2	2	0	0	0	1	1	2	2	2	2	0	0	0	1	1	1	1	
		Outer						1+2	1+1	1+1	1+1	1+3	1+3	1+3	1+2	1+2	1+1	1+1	1+1	1+1	1+1	1+3	1+3	1+3	1+2	1+2	1+2	1+2
	Fixing	Inner						2	2	2	2	3	3	3	3	3	3	3	3	3	3	4	4	4	4	4	4	4
		Outer						0+2	0+2	0+2	0+2	0+1	0+1	0+1	0+1	0+1	0+1	0+1	0+1	0+1	0+1	0+0	0+0	0+0	0+0	0+0	0+0	0+0
3	Thin	Inner						6	4	6	7	4	5	7	5	7	4	5	6	7	4	5	7	4	5	6	7	
		Outer						3+2	3+4	3+2	3+1	3+4	3+3	3+1	3+3	3+1	3+4	3+3	3+2	3+1	3+4	3+3	3+1	3+4	3+3	3+1	3+4	
	Thick	Inner						1	2	2	2	3	3	3	1	1	2	2	2	2	3	3	3	1	1	1	1	
		Outer						1+2	1+1	1+1	1+1	1+0	1+0	1+0	1+2	1+2	1+1	1+1	1+1	1+1	1+1	1+0	1+0	1+0	1+2	1+2	1+2	1+2
	Fixing	Inner						2	2	2	2	2	2	2	3	3	3	3	3	3	3	3	3	3	4	4	4	4
		Outer						0+2	0+2	0+2	0+2	0+2	0+2	0+2	0+1	0+1	0+1	0+1	0+1	0+1	0+1	0+1	0+1	0+1	0+0	0+0	0+0	0+0
5	Thin	Inner									2	2	3	2	3	5	2	3	5	5	2	3	5	2	4	5	2	
		Outer									3+4	3+4	3+3	3+4	3+3	3+1	3+4	3+3	3+1	3+1	3+4	3+3	3+1	3+4	3+2	3+1	3+4	
	Thick	Inner									10	10	10	11	11	11	12	12	12	12	13	13	13	14	14	14	15	
		Outer									1+6	1+6	1+6	1+5	1+5	1+5	1+4	1+4	1+4	1+4	1+3	1+3	1+3	1+2	1+2	1+2	1+1	
	Fixing	Inner									0	0	0	0	0	0	0	0	0	0	0	0	0	0	0	0	0	
		Outer									0+0	0+0	0+0	0+0	0+0	0+0	0+0	0+0	0+0	0+0	0+0	0+0	0+0	0+0	0+0	0+0	0+0	
8 & 10	Thin	Inner																			3	4	3	4	5	6	3	
		Outer																			4+4	4+3	4+4	4+3	4+2	4+1	4+4	
	Thick	Inner																			2	2	3	3	3	3	4	
		Outer																			1+4	1+4	1+3	1+3	1+3	1+3	1+2	
	Fixing	Inner																			3	3	3	3	3	3	3	
		Outer																			0+0	0+0	0+0	0+0	0+0	0+0	0+0	

Table 3-2 Number of Adjusting Spacers - Upper Suspension Shaft (Continued)

Beam Flange Width		(in)	6 ¹ / ₁₆	6 ⁷ / ₈	7	7 ¹ / ₁₆	7 ¹ / ₄	7 ⁷ / ₈	8	8 ⁷ / ₈	8 ¹ / ₁₆	9	9 ¹ / ₈	9 ⁷ / ₈	10	10 ¹ / ₈	10 ¹ / ₄	10 ³ / ₈	10 ¹ / ₂	11	11 ¹ / ₈	11 ¹ / ₄	11 ³ / ₈	11 ⁵ / ₈	11 ³ / ₄	11 ⁷ / ₈	12	
Cap (Ton)	Spacer Type	(mm)	170	175	178	180	184	200	203	215	220	229	232	250	254	257	260	264	267	279	283	286	289	295	298	302	305	
1	Thin	Inner	9	7	8	9	6	7	8	8	9	8	9	7	8	9	6	8	8	8	3	7	8	9	6	8	9	
		Outer	1+1	1+3	1+2	1+1	1+4	1+3	1+2	1+2	1+1	1+2	1+1	1+3	1+2	1+1	1+4	1+2	1+2	1+2	1+1	1+3	1+2	1+1	4+1	2+1	1+1	
	Thick	Inner	0	1	1	1	2	3	3	0	0	1	1	3	3	3	4	4	4	5	5	6	6	6	7	7	7	
		Outer	1+6	1+5	1+5	1+5	1+4	1+3	1+3	1+6	1+6	1+5	1+5	1+3	1+3	1+3	1+2	1+2	1+2	1+1	1+1	1+0	1+0	1+0	0+0	0+0	0+0	
	Fixing	Inner	3	3	3	3	3	3	3	4	4	4	4	4	4	4	4	4	4	4	4	4	4	4	4	4	4	4
		Outer	0+1	0+1	0+1	0+1	0+1	0+1	0+1	0+0	0+0	0+0	0+0	0+0	0+0	0+0	0+0	0+0	0+0	0+0	0+0	0+0	0+0	0+0	0+0	0+0	0+0	0+0
C	Inner	2	2	2	2	2	2	2	2	2	2	2	2	2	2	2	2	2	2	2	2	2	2	2	2	2	2	
		5	6	3	4	5	6	7	3	4	3	4	6	3	4	5	3	4	3	5	6	7	8	5	7	8		
2	Thin	Inner	5	6	3	4	5	6	7	3	4	3	4	6	3	4	5	3	4	3	5	6	7	8	5	7	8	
		Outer	3+2	3+1	3+4	3+3	3+2	3+1	2+1	3+4	3+3	3+4	3+3	3+1	3+4	3+3	3+2	3+4	3+3	3+4	3+2	3+1	2+1	1+1	4+1	2+1	1+1	
	Thick	Inner	2	2	3	3	3	4	4	0	0	1	1	2	3	3	3	4	4	5	5	5	5	5	6	6	6	
		Outer	1+1	1+1	1+0	1+0	1+0	0+0	0+0	1+5	1+5	1+4	1+4	1+3	1+2	1+2	1+2	1+1	1+1	1+0	1+0	1+0	1+0	1+0	0+0	0+0	0+0	
	Fixing	Inner	4	4	4	4	4	4	4	6	6	6	6	6	6	6	6	6	6	6	6	6	6	6	6	6	6	6
		Outer	0+0	0+0	0+0	0+0	0+0	0+0	0+0	0+0	0+0	0+0	0+0	0+0	0+0	0+0	0+0	0+0	0+0	0+0	0+0	0+0	0+0	0+0	0+0	0+0	0+0	0+0
3	Thin	Inner	5	7	4	5	6	7	8	4	5	4	5	7	4	5	6	4	5	4	6	7	8	9	6	8	9	
		Outer	3+3	3+1	3+4	3+3	3+2	3+1	2+1	3+4	3+3	3+4	3+3	3+1	3+4	3+3	3+2	3+4	3+3	3+4	3+2	3+1	2+1	1+1	4+1	2+1	1+1	
	Thick	Inner	2	2	3	3	3	4	4	0	0	1	1	2	3	3	3	6	4	5	5	5	5	5	6	6	6	
		Outer	1+1	1+1	1+0	1+0	1+0	0+0	0+0	1+5	1+5	1+4	1+4	1+3	1+2	1+2	1+2	1+1	1+1	1+0	1+0	1+0	1+0	1+0	0+0	0+0	0+0	
	Fixing	Inner	4	4	4	4	4	4	4	6	6	6	6	6	6	6	6	4	6	6	6	6	6	6	6	6	6	6
		Outer	0+0	0+0	0+0	0+0	0+0	0+0	0+0	0+0	0+0	0+0	0+0	0+0	0+0	0+0	0+0	0+0	0+0	0+0	0+0	0+0	0+0	0+0	0+0	0+0	0+0	0+0
5	Thin	Inner	4	5	2	3	4	5	6	2	3	2	3	5	2	3	4	2	3	2	4	5	6	7	4	6	7	
		Outer	3+2	3+1	3+4	3+3	3+2	3+1	2+1	3+4	3+3	3+4	3+3	3+1	3+4	3+3	3+2	3+4	3+3	3+4	3+2	3+1	2+1	2+1	4+1	2+1	1+1	
	Thick	Inner	15	15	16	16	16	17	17	19	19	20	20	21	22	22	22	23	23	24	24	24	24	24	25	25	25	
		Outer	1+1	1+1	1+0	1+0	1+0	0+0	0+0	1+5	1+5	1+4	1+4	1+3	1+2	1+2	1+2	1+1	1+1	1+0	1+0	1+0	1+0	1+0	0+0	0+0	0+0	
	Fixing	Inner	0	0	0	0	0	0	0	0	0	0	0	0	0	0	0	0	0	0	0	0	0	0	0	0	0	0
		Outer	0+0	0+0	0+0	0+0	0+0	0+0	0+0	0+0	0+0	0+0	0+0	0+0	0+0	0+0	0+0	0+0	0+0	0+0	0+0	0+0	0+0	0+0	0+0	0+0	0+0	0+0
8 & 10	Thin	Inner	5	3	4	4	5	7	8	7	9	3	4	1	3	4	1	2	3	3	4	5	6	4	5	6	7	
		Outer	4+2	4+4	4+3	4+3	4+2	3+1	2+1	3+1	1+1	4+2	4+1	4+4	4+2	4+1	4+4	4+3	4+2	4+2	4+1	3+1	2+1	4+1	3+1	2+1	1+1	
	Thick	Inner	4	5	5	5	5	6	6	7	7	0	0	2	2	2	3	3	3	4	4	4	4	5	5	5	5	
		Outer	1+2	1+1	1+1	1+1	1+1	1+0	1+0	0+0	0+0	1+4	1+4	1+2	1+2	1+2	1+1	1+1	1+1	1+0	1+0	1+0	1+0	0+0	0+0	0+0	0+0	
	Fixing	Inner	3	3	3	3	3	3	3	3	3	6	6	6	6	6	6	6	6	6	6	6	6	6	6	6	6	6
		Outer	0+0	0+0	0+0	0+0	0+0	0+0	0+0	0+0	0+0	0+0	0+0	0+0	0+0	0+0	0+0	0+0	0+0	0+0	0+0	0+0	0+0	0+0	0+0	0+0	0+0	0+0

Table 3-3 Number of Adjusting Spacers – Lower Suspension Shaft

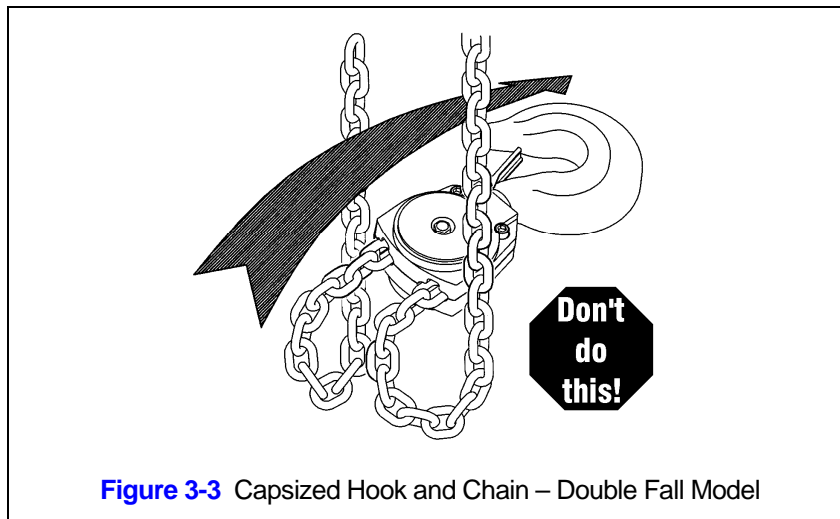
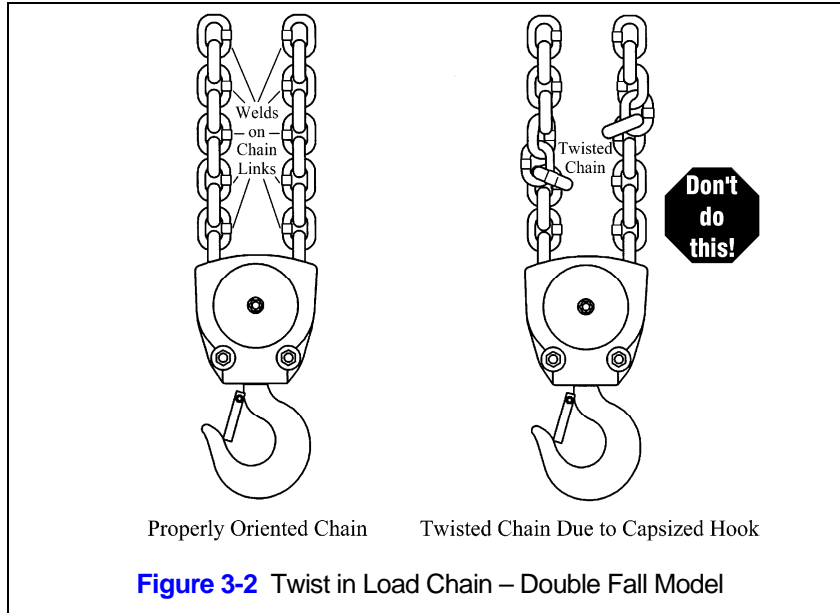
Beam Flange Width		(in)	25/16	2 1/2	2 5/8	2 7/8	3	3 1/4	3 9/16	3 7/8	3 15/16	4	4 3/16	4 7/16	4 11/16	4 15/16	5	5 3/16	5 5/16	5 3/8	5 1/2	5 5/8	5 7/8	6	6 3/16	6 5/16	6 7/16	
Cap (Ton)	Spacer Type	(mm)	58	64	66	73	76	82	91	98	100	102	106	113	119	125	127	131	135	137	140	143	150	153	157	160	163	
1	Thin	Inner	1+2	2+3	3+3	0+4	0+1	1+2	3+3	0+4	0+4	0+1	1+1	2+3	3+4	0+4	0+1	1+1	2+2	2+2	2+3	3+3	4+4	4+5	5+6	6+6	6+7	
		Outer	6+6	6+4	6+3	6+5	6+8	6+6	4+5	7+4	7+4	7+7	6+7	5+5	4+4	7+4	7+7	6+7	5+6	5+6	5+5	4+5	3+4	3+3	2+2	1+2	1+1	
	Thick	Inner	0+0	0+0	0+0	1+0	1+1	1+1	1+1	2+1	2+2	2+2	2+2	2+2	3+2	3+3	3+3	3+3	3+3	3+3	3+3	3+3	3+3	3+3	3+3	3+3	3+3	3+3
		Outer	2+4	2+4	2+4	2+3	2+2	2+2	2+2	1+2	1+2	1+1	1+1	1+1	1+1	0+1	0+0	0+0	0+0	0+0	0+0	0+0	0+0	0+0	0+0	0+0	0+0	0+0
	Fixing	Inner	0+0	0+0	0+0	0+0	0+0	0+0	0+0	0+0	0+0	0+0	0+0	0+0	0+0	0+0	0+0	0+0	0+0	0+0	0+0	0+0	0+0	0+0	0+0	0+0	0+0	0+0
		Outer	0+0	0+0	0+0	0+0	0+0	0+0	0+0	0+0	0+0	0+0	0+0	0+0	0+0	0+0	0+0	0+0	0+0	0+0	0+0	0+0	0+0	0+0	0+0	0+0	0+0	0+0
2	Thin	Inner						2+1	3+2	4+4	4+4	5+4	5+5	2+2	3+3	4+4	5+4	5+5	2+5	2+2	3+2	3+3	4+4	5+4	5+5	2+5	2+2	
		Outer						4+5	3+4	2+2	2+2	1+2	1+1	4+4	3+3	2+2	1+2	1+1	4+1	4+4	3+4	3+3	2+2	1+2	1+1	4+1	4+4	
	Thick	Inner						1+1	1+1	1+1	1+1	1+1	1+1	2+2	2+2	2+2	2+2	2+2	3+2	3+3	3+3	3+3	3+3	3+3	3+3	3+3	4+3	4+4
		Outer						4+4	4+4	4+4	4+4	4+4	4+4	3+3	3+3	3+3	3+3	3+3	2+3	2+2	2+2	2+2	2+2	2+2	2+2	2+2	1+2	1+1
	Fixing	Inner						0+0	0+0	0+0	0+0	0+0	0+0	0+0	0+0	0+0	0+0	0+0	0+0	0+0	0+0	0+0	0+0	0+0	0+0	0+0	0+0	0+0
		Outer						0+0	0+0	0+0	0+0	0+0	0+0	0+0	0+0	0+0	0+0	0+0	0+0	0+0	0+0	0+0	0+0	0+0	0+0	0+0	0+0	0+0
3	Thin	Inner						2+1	3+2	4+3	4+0	5+0	5+1	2+2	3+3	4+0	5+0	5+1	2+1	2+2	3+2	3+3	4+0	5+0	5+1	2+1	2+2	
		Outer						4+5	3+4	2+3	2+6	1+6	1+5	4+4	3+3	2+6	1+6	1+5	4+5	4+4	3+4	3+3	2+6	1+6	1+5	4+5	4+4	
	Thick	Inner						0+0	0+0	0+0	0+1	0+1	0+1	1+1	1+1	1+2	1+2	1+2	2+2	2+2	2+2	2+2	2+3	2+3	2+3	3+3	3+3	
		Outer						4+4	4+4	4+4	4+3	4+3	4+3	3+3	3+3	3+2	3+2	3+2	2+2	2+2	2+2	2+2	2+1	2+1	2+1	1+1	1+1	
	Fixing	Inner						0+0	0+0	0+0	0+0	0+0	0+0	0+0	0+0	0+0	0+0	0+0	0+0	0+0	0+0	0+0	0+0	0+0	0+0	0+0	0+0	
		Outer						0+0	0+0	0+0	0+0	0+0	0+0	0+0	0+0	0+0	0+0	0+0	0+0	0+0	0+0	0+0	0+0	0+0	0+0	0+0	0+0	
5	Thin	Inner									0+0	0+0	0+0	0+0	0+0	0+0	0+0	0+1	1+2	1+2	2+2	2+3	3+4	4+4	1+5	1+6	2+6	
		Outer									5+6	5+6	5+6	5+6	5+6	5+6	5+6	5+5	4+4	4+4	3+4	3+3	2+2	1+2	4+1	4+0	3+0	
	Thick	Inner									0+0	0+0	0+0	0+0	0+0	0+0	0+0	0+0	0+0	0+0	0+0	0+0	0+0	0+0	0+0	1+0	1+0	
		Outer									2+2	2+2	2+2	2+2	2+2	2+2	2+2	2+2	2+2	2+2	2+2	2+2	2+2	2+2	2+2	1+2	1+2	
	Fixing	Inner									0+0	0+0	0+0	0+0	0+0	0+0	0+0	0+0	0+0	0+0	0+0	0+0	0+0	0+0	0+0	0+0	0+0	
		Outer									0+0	0+0	0+0	0+0	0+0	0+0	0+0	0+0	0+0	0+0	0+0	0+0	0+0	0+0	0+0	0+0	0+0	
8 & 10	Thin	Inner																			3+2	3+2	4+4	5+4	5+5	6+5	6+6	
		Outer																				5+6	5+6	4+4	3+4	3+3	2+3	2+2
	Thick	Inner																				0+0	0+0	0+0	0+0	0+0	0+0	
		Outer																				2+2	2+2	2+2	2+2	2+2	2+2	
	Fixing	Inner																				0+0	0+0	0+0	0+0	0+0	0+0	
		Outer																				0+0	0+0	0+0	0+0	0+0	0+0	

Table 3-3 Number of Adjusting Spacers – Lower Suspension Shaft

Beam Flange Width		(in)	6 ¹ / ₁₆	6 ⁷ / ₈	7	7 ¹ / ₁₆	7 ¹ / ₄	7 ⁷ / ₈	8	8 ⁷ / ₈	8 ¹ / ₁₆	9	9 ¹ / ₈	9 ⁷ / ₈	10	10 ¹ / ₈	10 ¹ / ₄	10 ³ / ₈	10 ¹ / ₂	11	11 ¹ / ₈	11 ¹ / ₄	11 ³ / ₈	11 ⁵ / ₈	11 ³ / ₄	11 ⁷ / ₈	12	
Cap (Ton)	Spacer Type	(mm)	170	175	178	180	184	200	203	215	220	229	232	250	254	257	260	264	267	279	283	286	289	295	298	302	305	
1	Thin	Inner	3+4	4+1	5+1	5+2	2+2	4+1	5+1	3+3	3+4	5+5	5+6	4+5	5+5	5+6	2+6	3+3	3+3	5+5	2+6	2+3	3+3	3+4	4+4	5+5	5+6	
		Outer	5+1	5+3	5+2	5+1	5+4	5+3	5+2	5+2	5+1	1+2	1+1	2+2	1+2	1+1	4+1	3+4	3+4	1+2	4+1	4+4	3+4	3+3	2+3	1+2	1+1	
	Thick	Inner	0+0	0+1	0+1	0+1	1+1	1+2	1+2	2+2	2+2	2+2	2+2	2+2	3+3	3+3	3+3	4+3	4+4	4+4	4+4	5+4	5+5	5+5	5+5	5+5	5+5	5+5
		Outer	2+8	2+7	2+7	2+7	2+6	2+5	2+4	2+4	3+3	3+3	2+2	2+2	2+2	2+2	1+2	1+1	1+1	1+1	1+1	0+1	0+0	0+0	0+0	0+0	0+0	0+0
	Fixing	Inner	1+1	1+1	1+1	1+1	1+1	1+1	1+1	1+1	1+1	1+1	1+1	1+1	1+1	1+1	1+1	1+1	1+1	1+1	1+1	1+1	1+1	1+1	1+1	1+1	1+1	1+1
		Outer	0+0	0+0	0+0	0+0	0+0	0+0	0+0	0+0	0+0	0+0	0+0	0+0	0+0	0+0	0+0	0+0	0+0	0+0	0+0	0+0	0+0	0+0	0+0	0+0	0+0	0+0
2	Thin	Inner	4+3	4+4	5+4	5+5	2+5	4+4	5+4	2+3	3+3	4+5	5+5	4+4	4+5	5+5	5+2	2+3	3+3	4+5	5+2	2+2	2+3	3+3	3+4	4+5	5+5	
		Outer	2+3	2+2	1+2	1+1	4+1	2+2	1+2	4+3	3+3	2+1	1+1	2+2	2+1	1+1	1+4	4+3	3+3	2+1	1+4	4+4	4+3	3+3	3+2	2+1	1+1	
	Thick	Inner	4+4	4+4	4+4	4+4	5+4	5+5	5+5	0+0	0+0	0+0	0+0	1+1	1+1	1+1	1+2	2+2	2+2	2+2	2+3	3+3	3+3	3+3	3+3	3+3	3+3	3+3
		Outer	1+1	1+1	1+1	1+1	0+1	0+0	0+0	3+3	3+3	3+3	3+3	2+2	2+2	2+2	2+1	1+1	1+1	1+1	1+1	1+0	0+0	0+0	0+0	0+0	0+0	0+0
	Fixing	Inner	0+0	0+0	0+0	0+0	0+0	0+0	0+0	2+2	2+2	2+2	2+2	2+2	2+2	2+2	2+2	2+2	2+2	2+2	2+2	2+2	2+2	2+2	2+2	2+2	2+2	2+2
		Outer	0+0	0+0	0+0	0+0	0+0	0+0	0+0	0+0	0+0	0+0	0+0	0+0	0+0	0+0	0+0	0+0	0+0	0+0	0+0	0+0	0+0	0+0	0+0	0+0	0+0	0+0
3	Thin	Inner	3+3	4+0	5+0	5+1	2+1	4+4	5+4	3+2	3+3	5+0	5+1	4+0	5+0	5+1	2+1	3+2	3+3	4+5	2+1	2+2	3+2	3+3	4+3	5+4	5+5	
		Outer	3+3	2+6	1+6	1+5	4+5	2+2	1+2	3+4	3+3	1+6	1+5	2+6	1+6	1+5	4+5	3+4	3+3	2+1	4+5	4+4	3+4	3+3	2+3	1+2	1+1	
	Thick	Inner	3+3	3+4	3+4	3+4	4+4	4+4	4+4	2+2	2+2	2+0	2+0	0+1	0+1	0+1	1+1	1+1	1+1	1+1	2+2	2+2	2+2	2+2	2+2	2+2	2+2	2+2
		Outer	1+1	1+0	1+0	1+0	0+0	0+0	0+0	0+0	0+0	0+2	0+2	2+1	2+1	2+1	1+1	1+1	1+1	1+1	0+0	0+0	0+0	0+0	0+0	0+0	0+0	0+0
	Fixing	Inner	0+0	0+0	0+0	0+0	0+0	0+0	0+0	2+2	1+1	1+2	1+2	2+2	2+2	2+2	2+2	2+2	2+2	2+2	2+2	2+2	2+2	2+2	2+2	2+2	2+2	2+2
		Outer	0+0	0+0	0+0	0+0	0+0	0+0	0+0	0+0	1+1	1+0	1+0	0+0	0+0	0+0	0+0	0+0	0+0	0+0	0+0	0+0	0+0	0+0	0+0	0+0	0+0	0+0
5	Thin	Inner	3+3	3+4	4+4	4+5	1+5	3+4	4+4	2+6	2+3	4+4	4+5	3+4	4+4	4+5	1+5	2+6	2+3	4+4	1+5	1+6	2+6	2+3	3+3	4+4	4+5	
		Outer	2+3	2+2	1+2	1+1	4+1	2+2	1+2	3+0	3+3	1+2	1+1	2+2	1+2	1+1	4+1	3+0	3+3	1+2	4+1	4+0	3+0	3+3	2+3	1+2	1+1	
	Thick	Inner	1+1	1+1	1+1	1+1	2+1	2+2	2+2	3+2	3+3	3+3	3+3	4+4	4+4	4+4	5+4	5+4	5+5	5+5	6+5	6+5	6+5	6+6	6+6	6+6	6+6	6+6
		Outer	1+1	1+1	1+1	1+1	0+1	0+0	0+0	3+4	3+3	3+3	3+3	2+2	2+2	2+2	1+2	1+2	1+1	1+1	0+1	0+1	0+1	0+0	0+0	0+0	0+0	0+0
	Fixing	Inner	0+0	0+0	0+0	0+0	0+0	0+0	0+0	0+0	0+0	0+0	0+0	0+0	0+0	0+0	0+0	0+0	0+0	0+0	0+0	0+0	0+0	0+0	0+0	0+0	0+0	0+0
		Outer	0+0	0+0	0+0	0+0	0+0	0+0	0+0	0+0	0+0	0+0	0+0	0+0	0+0	0+0	0+0	0+0	0+0	0+0	0+0	0+0	0+0	0+0	0+0	0+0	0+0	0+0
8 & 10	Thin	Inner	3+7	4+4	5+4	5+4	5+5	4+4	5+4	6+6	7+7	0+5	1+5	3+4	0+5	1+5	1+2	2+2	2+3	0+5	1+5	1+2	2+2	3+3	3+4	4+4	4+5	
		Outer	5+1	4+4	3+4	3+4	3+3	4+4	3+4	2+2	1+1	5+1	4+1	2+2	5+1	4+1	4+4	3+4	3+3	5+1	4+1	4+4	3+4	2+3	2+2	1+2	1+1	
	Thick	Inner	1+0	1+1	1+1	1+1	1+1	2+2	2+2	2+2	2+2	4+3	4+3	4+4	5+4	5+4	5+5	5+5	5+5	6+5	6+5	6+6	6+6	6+6	6+6	6+6	6+6	6+6
		Outer	1+2	1+1	1+1	1+1	1+1	0+0	0+0	0+0	0+0	2+3	2+3	2+2	1+2	1+2	1+1	1+1	1+1	0+1	0+1	0+0	0+0	0+0	0+0	0+0	0+0	0+0
	Fixing	Inner	0+0	0+0	0+0	0+0	0+0	0+0	0+0	0+0	0+0	0+0	0+0	0+0	0+0	0+0	0+0	0+0	0+0	0+0	0+0	0+0	0+0	0+0	0+0	0+0	0+0	0+0
		Outer	0+0	0+0	0+0	0+0	0+0	0+0	0+0	0+0	0+0	0+0	0+0	0+0	0+0	0+0	0+0	0+0	0+0	0+0	0+0	0+0	0+0	0+0	0+0	0+0	0+0	0+0

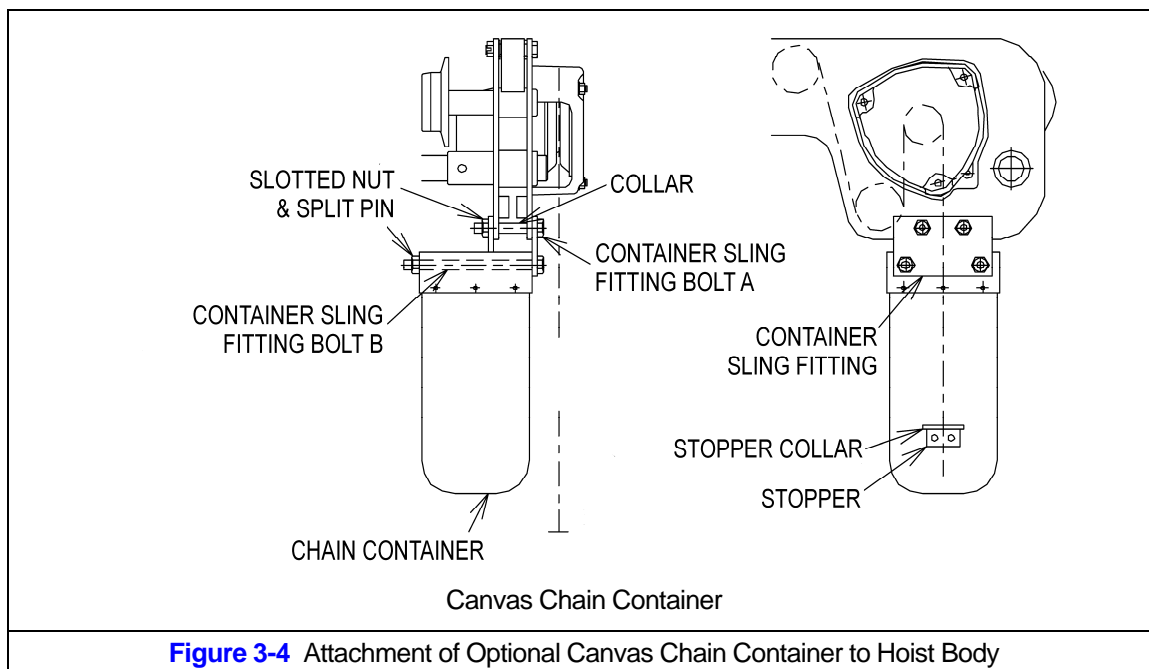
3.2 Chain

- 3.2.1 **⚠️WARNING** Verify that the load chain is not twisted or tangled prior to operating the hoist. Make sure the bottom hook is not capsized. See [Figure 3-2](#) and [Figure 3-3](#). Correct all chain irregularities before conducting the first trolley hoist operation.



- 3.2.2 **Optional Canvas Chain Container** - When the optional canvas chain container is selected, fully unfold and install it on the hoist body as shown in [Figure 3-4](#). The free end of the chain is not attached to the hoist body and the chain stopper is installed on the third link from the free end. To place the chain into the chain container, feed the free end of the chain into the container. Take care to avoid twisting or tangling the chain. NEVER put all the chain into the container at once. Lumped or twisted chain may stop the hoist during lifting and lowering.

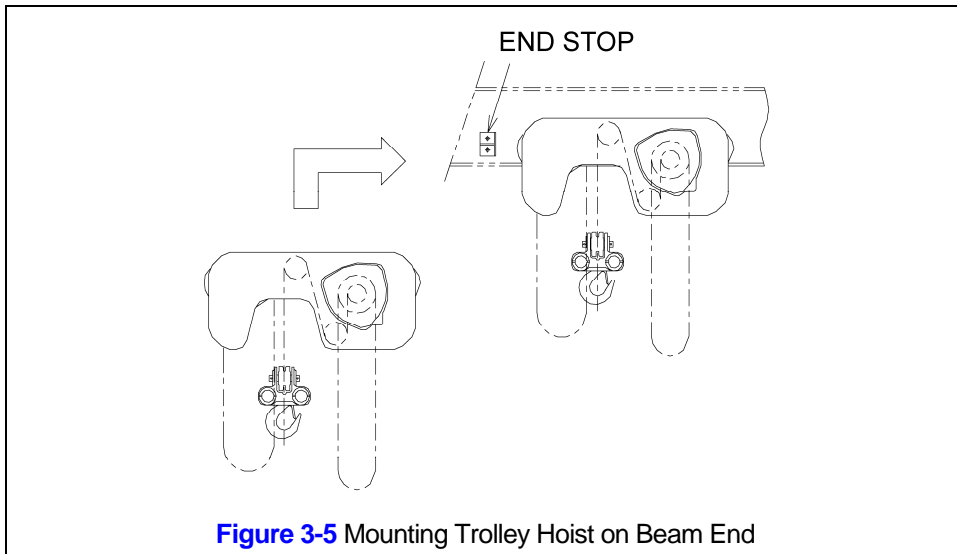
- 3.2.3 **CAUTION** Each chain container indicates the maximum length of the load chain that can be stored in the container. The amount of chain the container must hold is equal to the lift on the hoist. DO NOT use a chain container with a storage capacity less than the lift length on the hoist.



- 3.2.4 When using an optional steel chain container, refer to the assembly drawing and instructions provided with the container for correct assembly and attachment.

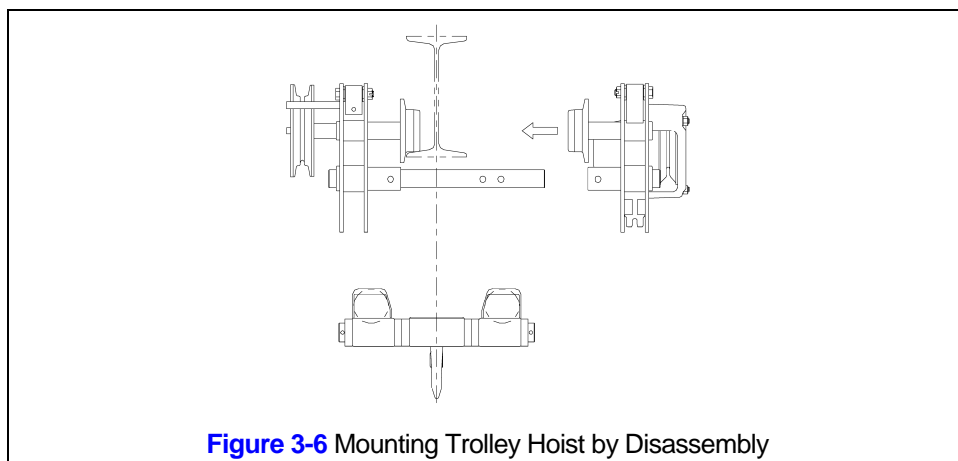
3.3 Installation of Trolley Hoist onto Beam

- 3.3.1 Assemble and adjust the trolley hoist before attempting to install it on the beam.
- 3.3.2 Preferred Method – Sliding the trolley hoist onto the traversing beam from the beam end is the most convenient and recommended method. If the trolley hoist can be mounted from the end of the beam then: Remove the trolley end-stop from the beam and set the trolley hoist on the beam from the end. Securely re-install the trolley end stop on the beam. See [Figure 3-5](#).



3.3.3 Optional Method for the Trolley Hoist – If the trolley hoist cannot be mounted from the end of the beam, complete the installation as follows:

- 1) Remove the Shaft Stopper Pin from Suspension Shaft (See [Figure 3-6](#)).
- 2) If possible remove the outside Adjusting spacers and Reinsert the Shaft Stopper Pin. Spread the trolley side plates apart.
- 3) Lift the trolley onto the beam so that Side Plate G (handwheel side) rests on the beam's flange.
- 4) Hold Side Plate G securely so that it does not come off the beam. Then push Side Plate S (hoist side) onto the beam so that all four wheels rest on the beam's flange.
- 5) Replace the Outside Adjusting Spacers and the Shaft Stopper Pin. Insert Split Pin, bend the Split Pin securely.



3.4 Preoperational Checks and Trial Operation

- 3.4.1 **⚠️ WARNING** Confirm the adequacy of the rated capacity for all slings, chains, wire ropes and all other lifting attachments before use. Inspect all load suspension members for damage prior to use and replace or repair all damaged parts.
- 3.4.2 **⚠️ WARNING** Verify and correct all chain irregularities prior to operating the trolley hoist. Refer to [Section 3.1](#).
- 3.4.3 Measure and record the “k” dimension of the hook on the trolley hoist. See [Table 5-4](#) under [Section 5](#), “Inspection”.
- 3.4.4 Record the trolley hoist's Code, Lot and Serial Number (from the name plate on the hoist; see [Section 9](#)) in the space provided on the cover of this manual.
- 3.4.5 Ensure that the trolley hoist is properly installed on the beam, and stops for the trolley hoist are correctly positioned and securely installed on the beam.
- 3.4.6 Ensure that all nuts, bolts and split pins (cotter pins) are sufficiently fastened.
- 3.4.7 Confirm proper operation.
- Before operating read and become familiar with [Section 4 - Operation](#).
 - Before operating ensure that the trolley hoist meets the Inspection, Testing and Maintenance requirements of ANSI/ASME B30.16.
 - Before operating ensure that nothing will interfere with the full range of the trolley hoist’s operation.
- 3.4.8 Proceed with trial operation to confirm proper operation.
- Operate the trolley hoist through its full range of motion. Make sure the trolley hoist runs smoothly and does not bind.
 - Perform inspections per [Section 5.3](#), “Frequent Inspections”.

4.0 Operation

4.1 Introduction

DANGER

DO NOT WALK UNDER A SUSPENDED LOAD

WARNING

HOIST OPERATORS SHALL BE REQUIRED TO READ THE OPERATION SECTION OF THIS MANUAL, THE WARNINGS CONTAINED IN THIS MANUAL, INSTRUCTION AND WARNING LABELS ON THE HOIST OR LIFTING SYSTEM, AND THE OPERATION SECTIONS OF ANSI/ASME B30.16 and ANSI/ASME B30.10. THE OPERATOR SHALL ALSO BE REQUIRED TO BE FAMILIAR WITH THE HOIST AND HOIST CONTROLS BEFORE BEING AUTHORIZED TO OPERATE THE HOIST OR LIFTING SYSTEM.

HOIST OPERATORS SHOULD BE TRAINED IN PROPER RIGGING PROCEDURES FOR THE ATTACHMENT OF LOADS TO THE HOIST HOOK.

HOIST OPERATORS SHOULD BE TRAINED TO BE AWARE OF POTENTIAL MALFUNCTIONS OF THE EQUIPMENT THAT REQUIRE ADJUSTMENT OR REPAIR, AND TO BE INSTRUCTED TO STOP OPERATION IF SUCH MALFUNCTIONS OCCUR, AND TO IMMEDIATELY ADVISE THEIR SUPERVISOR SO CORRECTIVE ACTION CAN BE TAKEN.

HOIST OPERATORS SHOULD HAVE NORMAL DEPTH PERCEPTION, FIELD OF VISION, REACTION TIME, MANUAL DEXTERITY, AND COORDINATION.

HOIST OPERATORS SHOULD **NOT** HAVE A HISTORY OF OR BE PRONE TO SEIZURES, LOSS OF PHYSICAL CONTROL, PHYSICAL DEFECTS, OR EMOTIONAL INSTABILITY THAT COULD RESULT IN ACTIONS OF THE OPERATOR BEING A HAZARD TO THE OPERATOR OR TO OTHERS.

HOIST OPERATORS SHOULD **NOT** OPERATE A HOIST OR LIFTING SYSTEM WHEN UNDER THE INFLUENCE OF ALCOHOL, DRUGS, OR MEDICATION.

NOTICE

- Read ANSI/ASME B30.16 and ANSI/ASME B30.10.
- Read the hoist manufacturer's Operating and Maintenance Instructions.
- Read all labels attached to equipment.

The operation of a hoist involves more than activating the hoist's controls. Per the ANSI/ASME B30 standards, the use of a hoist is subject to certain hazards that cannot be mitigated by engineered features, but only by the exercise of intelligence, care, common sense, and experience in anticipating the effects and results of activating the hoist's controls. Use this guidance in conjunction with other warnings, cautions, and notices in this manual to govern the operation and use of your hoist.

4.2 Shall's and Shall Not's for Operation

WARNING

Improper operation of a hoist can create a potentially hazardous situation which, if not avoided, could result in death or serious injury, and substantial property damage. To avoid such a potentially hazardous situation **THE OPERATOR SHALL:**

- **NOT** lift more than rated load for the hoist.
- **NOT** use damaged hoist or hoist that is not working properly.
- **NOT** use hoist with twisted, kinked, damaged, or worn chain.
- **NOT** use hoist if the bottom hook is capsized (multiple fall hoists - see Section 3.1).
- **NOT** use the hoist to lift, support, or transport people.
- **NOT** lift loads over people.
- **NOT** apply load unless load chain is properly seated in the load sheave (and idle sheave for hoist with multiple chain falls).
- **NOT** use the hoist in such a way that could result in shock or impact loads being applied to the hoist.
- **NOT** attempt to lengthen the load chain or repair damaged load chain.
- **NOT** operate hoist when it is restricted from forming a straight line from hook to hook in the direction of loading.
- **NOT** use load chain as a sling or wrap load chain around load.
- **NOT** apply load if binding prevents equal loading on all load-supporting chains.
- **NOT** operate beyond the limits of the load chain travel.
- **NOT** support load on hook tip unless hook is designed for tip loading.
- **NOT** use in a way that causes either hook to be side-loaded.
- **NOT** leave load supported by the hoist unattended unless specific precautions have been taken.
- **NOT** allow the chain, or hook to be used as an electrical or welding ground.
- **NOT** allow the chain, or hook to be touched by a live welding electrode.
- **NOT** remove or obscure the warnings on the hoist.
- **NOT** operate a hoist on which the safety placards or decals are missing or illegible.
- Be familiar with operating controls, procedures, and warnings.
- Make sure the unit is securely attached to a suitable support before applying load.
- Make sure load slings or other approved single attachments are properly sized, rigged, and seated in the hook saddle.
- Take up slack carefully - make sure load is balanced and load-holding action is secure before continuing.
- Make sure all persons stay clear of the supported load.
- Protect the hoist's load chain from weld splatter or other damaging contaminants.
- Report Malfunctions or unusual performances (including unusual noises) of the hoist and remove the hoist from service until the malfunction or unusual performance is resolved.
- Warn personnel before lifting or moving a load.
- Warn personnel of an approaching load.

⚠ CAUTION

Improper operation of a hoist can create a potentially hazardous situation which, if not avoided, could result in minor or moderate injury, or property damage. To avoid such a potentially hazardous situation **THE OPERATOR SHALL:**

- Maintain a firm footing or be otherwise secured when operating the hoist.
- Check brake function by tensioning the hoist prior to each lift operation.
- Use hook latches. Latches are to retain slings, chains, etc. under slack conditions only.
- Make sure the hook latches are closed and not supporting any parts of the load.
- Make sure the load is free to move and will clear all obstructions.
- Avoid swinging the load or hook.
- Make sure hook travel is in the same direction as shown on controls.
- Inspect the hoist regularly, replace damaged or worn parts, and keep appropriate records of maintenance.
- Use the hoist manufacturer's recommended parts when repairing the unit.
- Lubricate load chain per hoist manufacturer's recommendations.
- **NOT** use the hoist load limiting or warning device to measure load.
- **NOT** allow your attention to be diverted from operating the hoist.
- **NOT** allow the hoist to be subjected to sharp contact with other hoists, structures, or objects through misuse.
- **NOT** adjust or repair the hoist unless qualified to perform such adjustments or repair.

4.3 Hoist Operation

- 1) Face the Hoist hand chain wheel side of the trolley hoist.
- 2) To raise the load, pull Hoist hand chain clockwise.
- 3) To lower the load, pull Hoist hand chain counterclockwise.

NOTE: The clicking sound of the pawl when a load is being raised indicates normal operation.

- 4) Reference [Table 4-1](#) and "Owner's Manual for Manual Chain Hoist CB Series Model M3 1/2 Ton through 20 Ton Capacity" for further hoist information.

Table 4-1 SHB to CB Cross Reference		
Cap. (Tons)	SHB Product Code	CB Product Code
1	SHB010	CB005
2	SHB020	CB015
3	SHB030	CB020
5	SHB050	CB025
8	SHB080	CB100
10	SHB100	CB100

4.4 Trolley Operation

- 1) For Plain Trolley, movement is controlled by pushing/pulling on the load or the hook of the attached hoist.
- 2) For Geared Trolley, when facing Trolley hand chain wheel:
 - Pull down on the right side of Trolley hand chain (Clockwise Rotation) to move the Trolley left.
 - Pull down on the left side of Trolley hand chain (Counterclockwise Rotation) to move the Trolley right.
- 3) **⚠ CAUTION** Avoid collisions with the end stops or other Trolleys. Damage may result.

5.0 Inspection

5.1 General

5.1.1 The inspection procedure herein is based on ANSI/ASME B30.16. The following definitions are from ANSI/ASME B30.16 and pertain to the inspection procedure below.

- **Designated Person** – a person selected or assigned as being competent to perform the specific duties to which he/she is assigned.
- **Qualified Person** – a person who, by possession of a recognized degree or certificate of professional standing, or who, by extensive knowledge, training, and experience, has successfully demonstrated the ability to solve or resolve problems relating to the subject matter and work.
- **Normal Service** – that distributed service which involves operation with randomly distributed loads within the rated load limit, or uniform loads less than 65% of rated load for not more than 15% of the time.
- **Heavy Service** – that service which involves operation within the rated load limit which exceeds normal service.
- **Severe Service** – that service which involves normal or heavy service with abnormal operating conditions.

5.2 Inspection Classification

5.2.1 Initial Inspection – prior to initial use, all new, altered, or modified hoists shall be inspected by a designated person to ensure compliance with the applicable provisions of this manual.

5.2.2 Inspection Classification – the inspection procedure for hoists in regular service is divided into two general classifications based upon the intervals at which inspection should be performed. The intervals in turn are dependent upon the nature of the critical components of the hoist and the degree of their exposure to wear, deterioration, or malfunction. The two general classifications are herein designated as FREQUENT and PERIODIC, with respective intervals between inspections as defined below.

5.2.3 FREQUENT Inspection – visual examinations by the operator or other designated personnel with intervals per the following criteria:

- Normal service – monthly
- Heavy service – weekly to monthly
- Severe service – daily to weekly
- Special or infrequent service – as recommended by a qualified person before and after each occurrence.

5.2.4 PERIODIC Inspection – visual inspection by a designated person with intervals per the following criteria:

- Normal service – yearly
- Heavy service – semiannually
- Severe service – quarterly
- Special or infrequent service – as recommended by a qualified person before the first such occurrence and as directed by the qualified person for any subsequent occurrences.

5.3 Frequent Inspection

- 5.3.1 Inspections should be made on a FREQUENT basis in accordance with Table 5-1, "Frequent Inspection." Included in these FREQUENT Inspections are observations made during operation for any defects or damage that might appear between Periodic Inspections. Evaluation and resolution of the results of FREQUENT Inspections shall be made by a designated person such that the hoist is maintained in safe working condition.

Table 5-1 Frequent Inspection
All functional operating mechanisms for proper operation and adjustment, maladjustment and unusual sounds.
Hoist braking system for proper operation
Hooks and latches in accordance with ANSI/ASME B30.10
Hook latch operation
Load chain in accordance with Section 5.7
Load chain reeving for compliance with Section 3.1 and 6.1
Hoist support for damage
Connection points between Hoist and Trolley in accordance with ANSI/ASME B30.16

5.4 Periodic Inspection

- 5.4.1 Inspections should be made on a PERIODIC basis in accordance with Table 5-2, "Periodic Inspection." Evaluation and resolution of the results of PERIODIC Inspections shall be made by a designated person such that the hoist is maintained in safe working condition.
- 5.4.2 For inspections where load suspension parts of the hoist are disassembled, a load test per ANSI/ASME B30.16 must be performed on the hoist after it is re-assembled and prior to its return to service.

Table 5-2 Periodic Inspection
Requirements of frequent inspection.
Evidence of loose bolts, nuts, pins, or rivets.
Evidence of worn, corroded, cracked, or distorted parts such as load blocks, suspension housing, chain attachments, clevises, yokes, suspension bolts, shafts, gears, bearings, pins, rollers, locking and clamping devices, wheels, and bumpers.
Evidence of damage to hook retaining nuts or collars and pins, and welds or rivets used to secure the retaining members.
Evidence of damage or excessive wear of load and idler sheaves.
Evidence of worn, glazed or oil contaminated friction disks; worn pawls, cams or ratchet; corroded, stretched, or broken pawl springs in brake mechanism.
Evidence of damage to supporting structure.
Function label on hoist for legibility.
Warning label properly attached to the hoist and legible (see Section 1.2).
End connection of load chain.

5.5 Occasionally Used Hoists

- 5.5.1 Trolley-hoists that are used infrequently shall be inspected as follows prior to placing in service:
- Trolley-hoist Idle More Than 1 Month, Less Than 1 Year: Inspect per FREQUENT Inspection criteria in [Section 5.3](#).
 - Trolley-hoist Idle More Than 1 Year: Inspect per PERIODIC Inspection criteria in [Section 5.4](#).

5.6 Inspection Records

- 5.6.1 Dated inspection reports and records should be maintained at time intervals corresponding to those that apply for the trolley-hoist's PERIODIC interval per [Section 5.2.4](#). These records should be stored where they are available to personnel involved with the inspection, maintenance, or operation of the hoist.
- 5.6.2 A long range chain inspection program should be established and should include records of examination of chains removed from service so a relationship can be established between visual observation and actual condition of the chain.

5.7 Inspection Methods and Criteria

- 5.7.1 This section covers the inspection of specific items. The list of items in this section is based on those listed in ANSI/ASME B30.16 for the Frequent and Periodic Inspection.
- 5.7.2 Frequent Inspection - Not intended to involve disassembly of the hoist. Disassembly for further inspection would be required if only if frequent inspection results so indicate. Disassembly and further inspection should only be performed by a qualified person trained in the disassembly and re-assembly of the hoist.
- 5.7.3 Periodic Inspection - Disassembly of the hoist is required. Disassembly should only be performed by a qualified person trained in the disassembly and re-assembly of the hoist.
- 5.7.4 In accordance with ANSI/ASME B30.16, these inspections are not intended to involve disassembly of the trolley. Rather, disassembly for further inspection would be required if frequent or periodic inspection results so indicate. Such disassembly and further inspection should only be performed by a qualified person trained in the disassembly and re-assembly of the trolley.

Table 5-3 Hoist Inspection Methods and Criteria

Item	Method	Discard Limit/Criteria	Action
Functional operating mechanisms.	Visual, Auditory	Mechanisms should be properly adjusted and should not produce unusual sounds when operated. Components should not be deformed, scarred, or show significant wear.	Repair or replace as required.
Hook – Stretch	Measure	The "k" dimension should not be greater than 1.05 times that measured and recorded at the time of purchase (See Section 3.4). If recorded "k" values are not available for hooks when new, use nominal "k" values from Table 5-4 .	Replace.
Hook – Fretting wear	Measure	The "u" and "t" dimensions should not be less than discard value listed in Table 5-4 .	Replace.
Hook – Surface Condition	Visual	Should be free of gouges, deep nicks, dents, weld splatter, and significant corrosion.	Replace.
Hook – Deformation	Visual	Should be free of twists and deformations. See Figure 5-1 .	Replace.

Table 5-3 Hoist Inspection Methods and Criteria

Item	Method	Discard Limit/Criteria	Action
Hook – Bent Shank or Neck	Visual	Shank and neck portions of hook should be free of deformations.	Replace.
Hook – Swivel	Visual, Function	Bearing parts and surfaces should not show significant wear, and should be free of dirt, grime, and deformations. Hook should rotate freely with no roughness. See Figure 5-1 .	Clean/lubricate, or replace as required.
Hook – Yoke Assembly	Visual	Should be free of significant rust, weld splatter, nicks, and gouges. Holes should not be elongated, fasteners should not be loose, and there should be no gap between mating parts.	Tighten or replace as required.
Hook – Idle Sheave and Shaft (on Lower Suspension Shaft)	Visual, Function	Pockets of Idle Sheave should be free of significant wear. Idle Sheave surfaces should be free of nicks, gouges, dirt, and grime. Bearing parts and surfaces of Idle Sheave and Axle should not show significant wear. Idle Sheave should rotate freely with no roughness or significant free play.	Clean/lubricate, or replace as required.
Hook – Hook Latches	Visual, Function	Latch should not be deformed. Attachment of latch to hook should not be loose. Latch spring should not be missing and should not be weak. Latch movement should not be stiff - when depressed and released latch should snap smartly to its closed position.	Replace.
Load Chain – Pitch and Wire Diameter	Measure	The "P" dimension should not be greater than discard value listed in Table 5-5 . The "d" dimension should not be less than discard value listed in Table 5-5 .	Replace. Inspect Load Sheave (and Idle Sheave for multiple fall hoists).
Load Chain – Surface Condition	Visual	Should be free of gouges, nicks, dents, weld splatter, and corrosion. Links should not be deformed, and should not show signs of abrasion. Surfaces where links bear on one another should be free of significant wear.	Replace.
Load Chain – Lubrication	Visual, Auditory	Entire surface of each chain link should be coated with lubricant and should be free of dirt and grime. Chain should not emit cracking noise when hoisting a load.	Clean/lubricate (see Section 6.0).
Load Chain – Reeving	Visual	Chain should be reeved /installed properly and free of twists. Refer to Section 3.2 .	Reeve/Install chain properly.
Lifting System – Components	Visual, Function	Components should not be deformed, scarred, or show significant wear.	Replace.
Load Sheave	Visual	Pockets of Load Sheave should be clean and free of significant wear.	Replace.
Hand Wheel	Visual	Large wear or deformation on the surface of hand wheel. The hand wheel touches the cover.	Replace.

Table 5-3 Hoist Inspection Methods and Criteria

Item	Method	Discard Limit/Criteria	Action
Housing and Mechanical Components	Visual, Auditory, Function	Trolley hoist components including suspension shafts, track wheels, track wheel axles, load blocks, suspension housing, chain attachments, clevises, yokes, suspension bolts, shafts, gears, bearings, stripper, pins, rollers, and bumpers should be free of cracks, distortion, significant wear, and corrosion. Evidence of same can be detected visually or via detection of unusual sounds during operation.	Replace.
Chain Guide	Visual	Excessive wear or press mark.	Replace.
Bolts, Nuts and Rivets	Visual, Check with Proper Tool	Bolts, nuts, snap rings, split pins, and rivets should not be loose, deformed, or corroded.	Tighten or replace as required.
Side Plates	Visual	Must be free of significant deformation	Replace.
Track Wheel - Tread	Visual, Measure	Diameter of the inside and outside tread surface should not be less than the discard value shown in Table 5-6 .	Replace.
Track Wheel - Gear	Visual	Teeth should not be cracked, damaged, or excessively worn.	Replace.
Upper Suspension Shaft	Visual, Measure	Suspension shaft should not be bent. Diameter should not be worn by 10% or more.	Replace.
Lower Suspension Shaft	Visual, Measure	Suspension shaft should not be bent. Diameter should not be worn by 10% or more.	Replace.
Warning Labels	Visual	Warning Labels should be affixed to the hoist (see Section 1.2) and they should be legible.	Replace.
Trolley Hoist Capacity Label	Visual	The label that indicates the capacity of the hoist should be legible and securely attached to the hoist.	Replace.

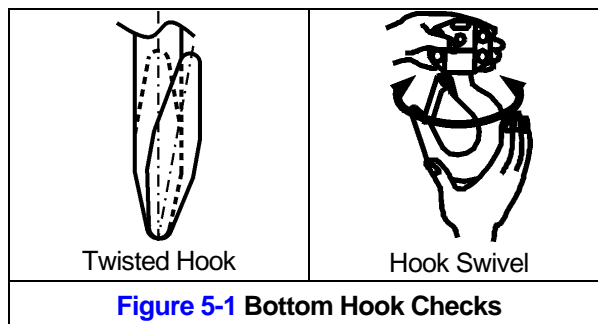
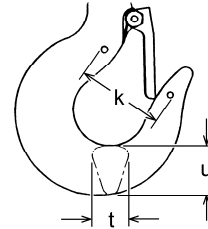


Table 5-4 Bottom Hook Dimensions

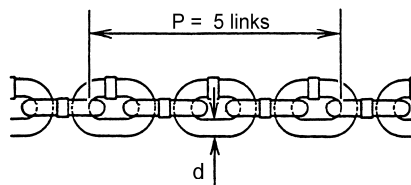
"k" Measured When New:
Bottom: _____



Product Code	Nominal "k" Dimension* inch (mm)	"u" Dimension inch (mm)		"t" Dimension inch (mm)	
		Standard	Discard	Standard	Discard
SHB010	1.92 (48.8)	0.86 (21.8)	0.77 (19.6)	0.63 (16.0)	0.57 (14.4)
SHB020	2.36 (59.9)	1.18 (30.0)	1.06 (27.0)	0.86 (21.8)	0.77 (19.6)
SHB030	2.72 (69.1)	1.48 (37.5)	1.33 (33.8)	1.07 (27.2)	0.97 (24.5)
SHB050	3.06 (77.8)	1.87 (47.5)	1.69 (42.8)	1.36 (34.5)	1.22 (31.1)
SHB080	4.03 (102.3)	2.88 (73.0)	2.23 (56.7)	1.87 (47.5)	1.69 (42.8)
SHB100					

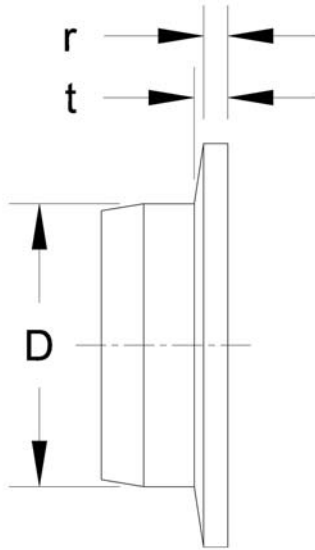
* These values are nominal since the dimension is not controlled to a tolerance. The "k" dimension should be measured when the hook is new - this becomes a reference measurement. Subsequent measurements are compared to this reference to make determinations about hook deformation/stretch. See [Section 5.7](#), "Hooks - Stretch".

Table 5-5 Chain Wear Dimensions



Product Code	"P" Dimension inch (mm)		"d" Dimension inch (mm)	
	Standard	Discard	Standard	Discard
SHB010	2.97 (75.5)	3.06 (77.7)	0.20 (5.0)	0.18 (4.5)
SHB020	4.17 (106.0)	4.30 (109.1)	0.28 (7.1)	0.25 (6.4)
SHB030	4.76 (121.0)	4.91 (124.6)	0.32 (8.0)	0.28 (7.2)
SHB050 SHB080 SHB100	5.35 (136.0)	5.51 (140.0)	0.35 (9.0)	0.32 (8.1)

Table 5-6 Track Wheel Wear Dimensions



Note: Track wheels are for flat and tapered flanges.

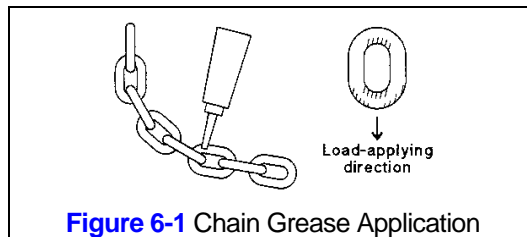
Capacity (Ton)	"D" Dimension inch (mm)		"t" Dimension inch (mm)		"r" Dimension inch (mm)	
	Standard	Discard	Standard	Discard	Standard	Discard
1	2.80 (71)	2.74 (69.5)	0.374 (9.5)	0.264 (6.7)	0.224 (5.7)	0.158 (4.0)
2	3.35 (85)	3.29 (83.5)	0.413 (10.5)	0.291 (7.4)	0.232 (5.9)	0.161 (4.1)
3	3.94 (100)	3.88 (98.5)	0.453 (11.5)	0.319 (8.1)	0.260 (6.6)	0.181 (4.6)
5	4.65 (118)	4.41 (112)	0.591 (15.0)	0.413 (10.5)	0.370 (9.4)	0.260 (6.6)
8	6.1 (155)	5.8 (147.3)	0.559 (14.2)	0.53 (13.5)	0.433 (11.0)	0.411 (10.5)
10						

6.0 Maintenance and Handling

6.1 Lubrication

6.1.1 Load Chain

- For longer life, the load chain should be lubricated.
- The load chain lubrication should be accomplished after cleaning the load chain with an acid free cleaning solution.
- Apply Harrington lubricating grease (Part No. ER1BS1951) or an equivalent to industrial general lithium grease, NLGI No. 0, to the bearing surfaces of the load chain links as indicated by the shaded areas in [Figure 6-1](#). Also apply the grease to the areas of the load chain (shaded areas in [Figure 6-1](#)) that contact the load sheave. Insure that the grease is applied to the contact areas in the load sheave pockets.
- Machine or gear oil (grade ISO VG 46 or 68 oil or equivalent) may be used as an alternative lubricant but must be applied more frequently.



- The chain should be lubricated every 3 months (more frequently for heavier usage or severe conditions).
- For dusty environments, it is acceptable to substitute a dry lubricant.

6.1.2 Hooks and Suspension Components:

- Hooks – Bearings should be cleaned and lubricated at least once per year for normal usage. Clean and lubricate more frequently for heavier usage or severe conditions.
- Suspension Pins - Lubricate the chain pin and the top pin at least twice per year for normal usage; more frequently for heavier usage or severe conditions.

6.1.3 Applying Grease to Sheaves and Idle Wheels:

- Remove old grease and replace the new grease (NLGI No. 2), at annual inspection.
- Temperature range of standard grease is -20°C (-4°F) to + 60°C (140°F). If the hoist is used at temperatures below -20°C (-4°F) or above 60°C (140°F), consult the manufacturer or dealer since some parts should be changed.

Parts to be Lubricated	Name of Oil	Amount of Lubrication and Lubricating Method	Frequency of Lubrication
Mechanical Brake Parts: Ratchet Disc, Pawl Pin, Screw parts of Pinion	Machine or Gear Oil	Wipe off oil with waste cloth after applying proper amount of oil.	When the hand pull becomes extremely heavy in lowering operations.

6.1.4 Hoist:

- Follow the hoist lubrication instructions in the “Owner’s Manual for Manual Chain Hoist CB Series Model M3 1/2 Ton through 20 Ton Capacity” for further hoist information.

6.1.5 Trolley:

- Lubricate the following trolley components with NLGI (National Lubricating Grease Institute) #2 or equivalent grease.
- Track Wheel Gear – Clean and re-grease the Track Wheel gears and Hand Wheel output pinion every three months (more frequently for heavier usage or severe conditions). Do not use an excessive amount of grease and avoid getting any grease on the running surfaces of the Track Wheels or the beam.
- Trolley Wheel Bearings do not need to be lubricated and must be replaced if worn or damaged.
- Suspension Pins, Bolts and Shafts – Grease at least twice per year for normal usage (more frequently for heavier usage or severe conditions).

6.2 Storage

6.2.1 **⚠ WARNING** : **IMPROPER** chain hoist storage could result in death or serious injury. To avoid these hazards:

- **ALWAYS** store the hoist in a no load condition.
- **ALWAYS** wipe off all dirt and water.
- **ALWAYS** oil the chain, hook pins and hook latches.
- **ALWAYS** hang in a clean and dry place.
- **ALWAYS** check the hoist for abnormalities (according to the regular inspection procedures) when using the hoist after a period of non-use (Refer to [Section 5.7](#)).

6.3 Outdoor Installation

- 6.3.1 For trolley hoist installations that are outdoors, the trolley hoist **MUST BE** covered and protected from the weather at all times.
- 6.3.2 Possibility of corrosion on components of the trolley hoist increases for installations where salt air and high humidity are present. The trolley hoist may require more frequent lubrication. Make frequent and regular inspections of the unit’s condition and operation.
- 6.3.3 For trolley hoist installations where temperature variations introduce condensation into the hoist additional inspection and more frequent lubrication may be required.
- 6.3.4 Refer to [Section 2.1.2](#) for allowable environmental conditions.

6.4 Operational Environment

6.4.1 Non-conforming environment

A non-conforming environment is defined as one with any or all of the following.

- Explosive gases or vapor.
- Organic solvents or volatile powder
- Excessive amounts of powder and dust of general substances
- Excessive amount of acids or salts.

7.0 Troubleshooting

WARNING

Read and comply with instructions in this manual and use the trolley hoist properly.

Checking the sounds from the hoist in operation is a critical inspection. Note trolley and hoist sounds during operation.

If a defect is found in the trolley or the hoist, stop using immediately and check the cause of the defect.

Only Trained and competent personnel should inspect and repair the hoist.

Table 7-1 Troubleshooting Guide

Note on proper operation:

- When lifting, the hoist should make clicking sounds when moving the hand wheel.
- When lowering, the hoist should not make clicking sounds when moving the hand wheel.
- Hoist: Follow the Troubleshooting Guide in the “Owner’s Manual for Manual Chain Hoist CB Series Model M3 1/2 Ton through 20 Ton Capacity” for hoist troubleshooting information.

8.0 Warranty

Warranty explanation and terms.

All products sold by Harrington Hoists, Inc. are warranted to be free from defects in material and workmanship from date of shipment by Harrington for the following periods:

Manual Hoists & Trolleys – 2 years

NER/ER Hoists Enhanced Features Models – 3 Years

Electric Hoists, Air Hoists & Trolleys, Crane Components – 1 year

Spare / Replacement Parts – 1 year

NER/ER Enhanced Feature DC Current Brake – 10 years

The product must be used in accordance with manufacturer's recommendations and must not have been subject to abuse, lack of maintenance, misuse, negligence, or unauthorized repairs or alterations.

Should any defect in material or workmanship occur during the above time period in any product, as determined by Harrington Hoist's inspection of the product, Harrington Hoists, Inc. agrees, at its discretion, either to replace (not including installation) or repair the part or product free of charge and deliver said item F.O.B. Harrington Hoists, Inc. place of business to customer.

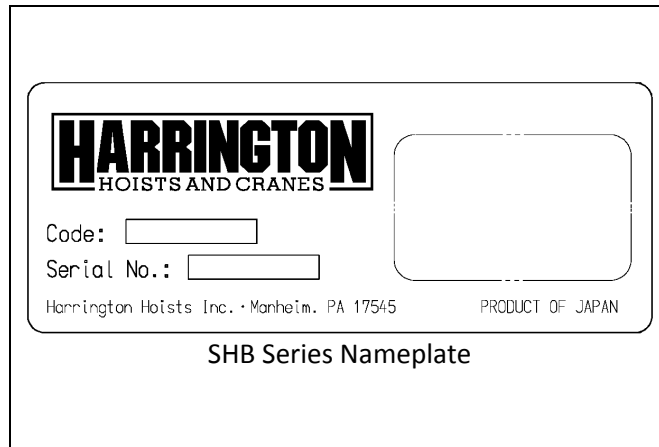
Customer must obtain a Return Goods Authorization as directed by Harrington or Harrington's published repair center prior to shipping product for warranty evaluation. An explanation of the complaint must accompany the product. Product must be returned freight prepaid. Upon repair, the product will be covered for the remainder of the original warranty period. If it is determined there is no defect, or that the defect resulted from causes not within the scope of Harrington's warranty, the customer will be responsible for the costs of returning the product.

Harrington Hoists, Inc. disclaims any and all other warranties of any kind expressed or implied as to the product's merchantability or fitness for a particular application. Harrington will not be liable for death, injuries to persons or property or for incidental, contingent, special or consequential damages, loss or expense arising in connection with the use or inability whatever, regardless of whether damage, loss or expense results from any act or failure to act by Harrington, whether negligent or willful, or from any other reason.

9.0 Parts List

When ordering Parts, please provide the Trolley Hoist code number, lot number and serial number located on the Trolley Hoist nameplate (see fig. below).

Reminder: Per sections 1.1 and 3.4.4, to aid in ordering Parts and Product Support, record the Trolley Hoist code number, lot number and serial number in the space provided on the cover of this manual.



The parts list is arranged into the following sections:

Section	Page
9.1 SHB Parts (1 to 5 Ton)	36
9.2 SHB Parts (8 and 10 Ton)	38

9.1 SHB Parts (1 to 5 Ton)

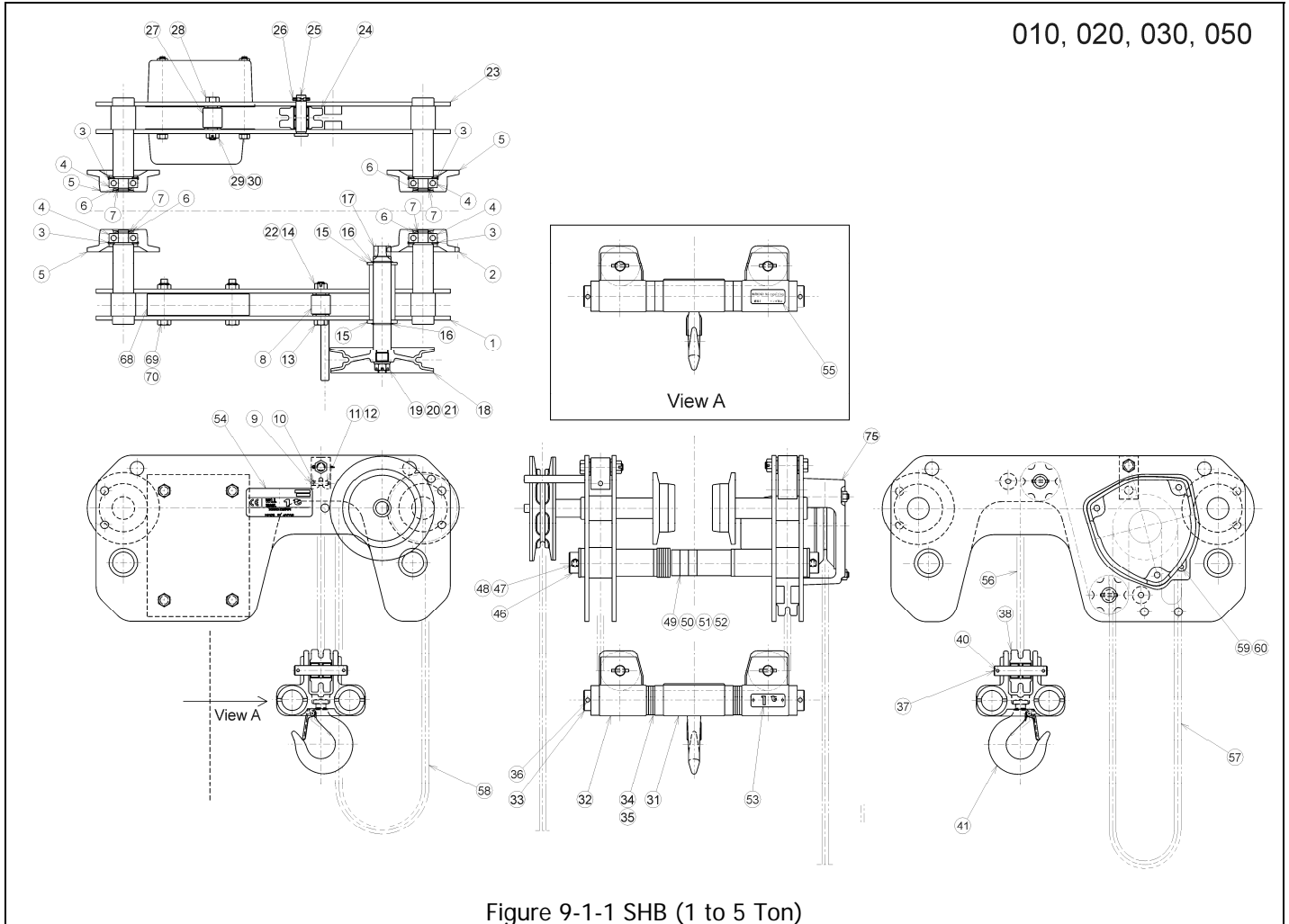


Figure 9-1-1 SHB (1 to 5 Ton)

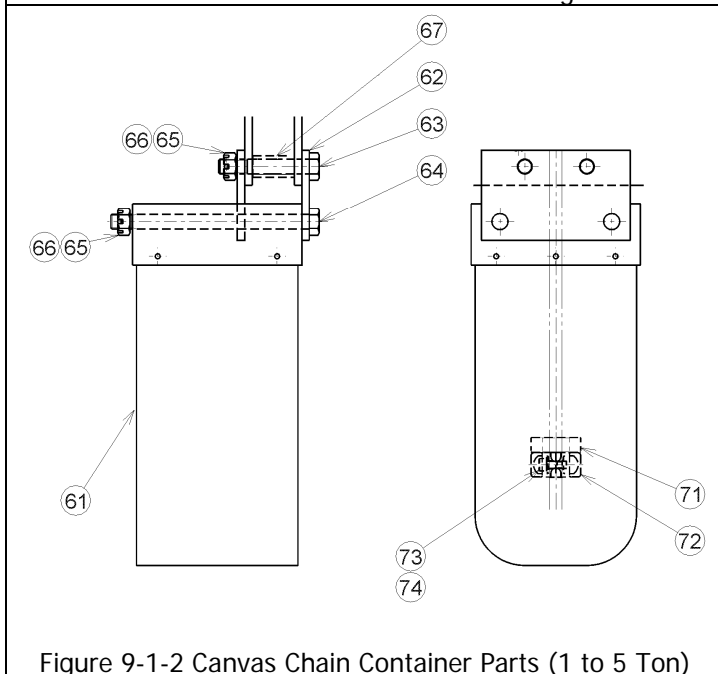


Figure 9-1-2 Canvas Chain Container Parts (1 to 5 Ton)

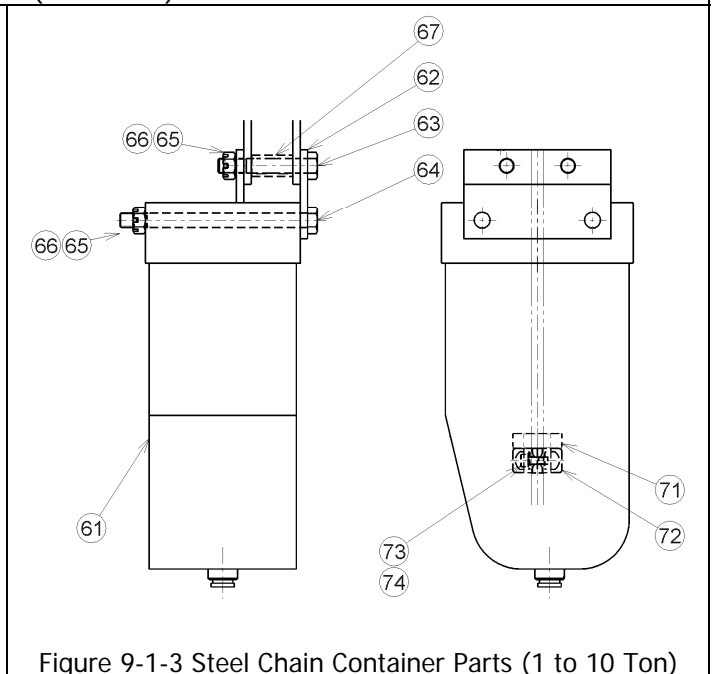


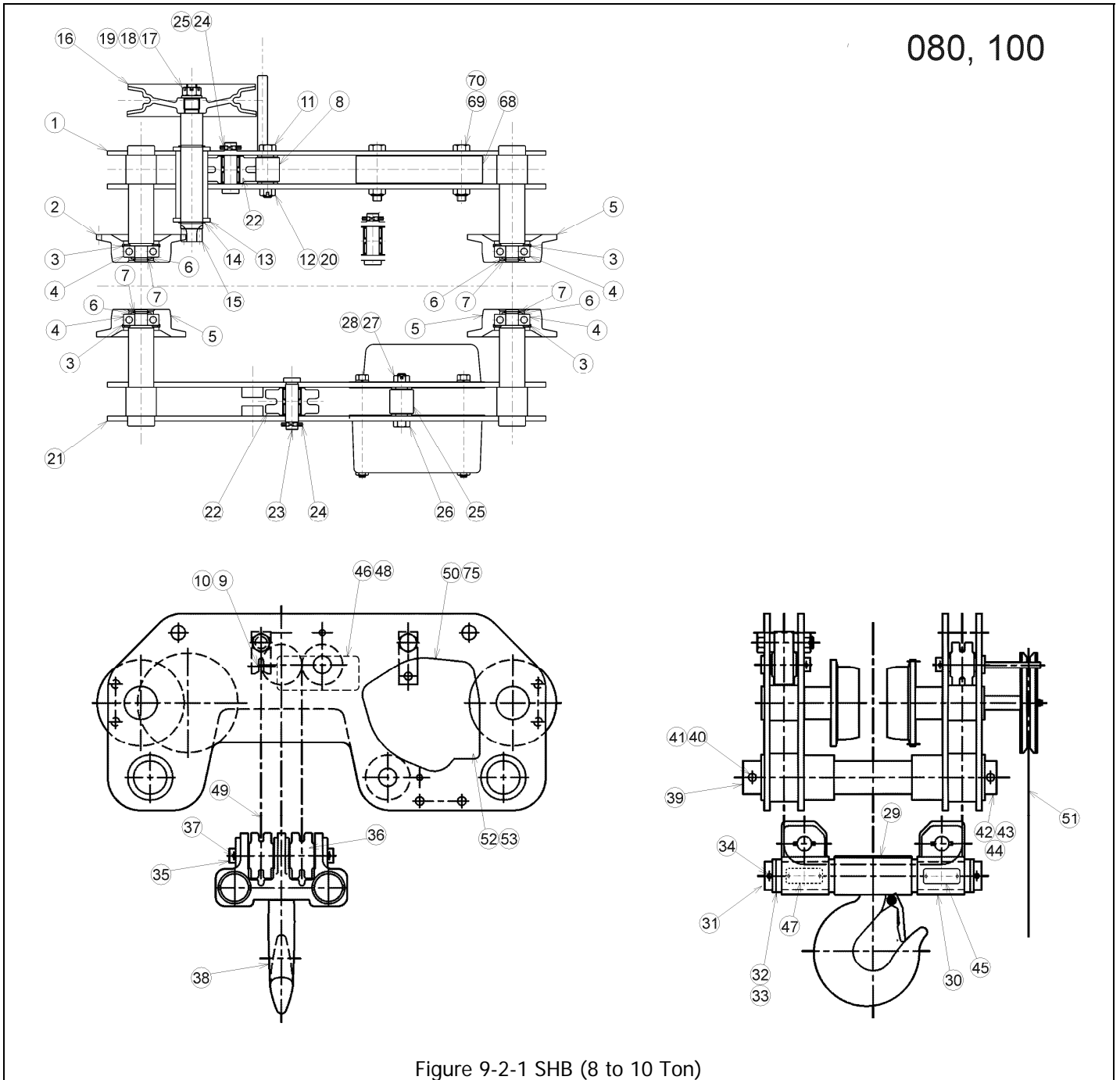
Figure 9-1-3 Steel Chain Container Parts (1 to 10 Ton)

9.1 SHB Parts (1 to 5 Ton)

Figure No.	Part Name	Parts Per Hoist	1 Ton	2 Ton	3 Ton	5 Ton
1	Side Plate G Assembly	1	72CG0105112	72CG0205112	72CG0305112	74CG0505111
2	Track Wheel G	1	T3G1101010	T3G1101020	T3G1101030	T3G1101050
3	Snap Ring	4	9047115	9047120	9047125	9047135
4	Ball Bearing	4	9000702	9000704	9000705	9000707
5	Track Wheel S	3	T3P1102010	T3P1102030	T3P1102050	T3P1102075
6	Track Wheel Washer	4	MS104010	MS104020	MS104030	MS104050
7	Snap Ring	4	9047115	9047120	9047125	9047135
8	Connection Yoke C	1	72CG0109126	72CG0209126	72CG0309126	74CG1009135
9	Chain Pin	1	P1VP0509107	P1VP0639107	P1VP0809107	M3041075
10	Spring Pin	1	9148125	9148154	9148157	
11	Slotted Nut	1				M2049020
12	Split Pin	1				9009412
13	Hexagon Head Bolt	1	72CG0109129	P1VN0809114	P1VN1009114	P1VN1259114
14	Slotted Nut	1	L3183008	ES088020L	J1NL00110180	J1NL00110240
15	Plain Washer	2	9012521	9012521	9012521	9012521
16	Snap Ring	2	9047126	9047126	9047126	9047126
17	Pinion	1	72CG0109134	72CG0209134	72CG0309134	72CG0509134
18	Hand Wheel	1	T6G123010	T6G123010	T7GA0509123	T7GA0509123
19	Slotted Nut	1	J1NL0011012	J1NL0011012	J1NL0011012	J1NL0011012
20	Plain Washer	1	9012515	9012515	9012515	9012515
21	Split Pin	1	9009424	9009424	9009424	9009424
22	Split Pin	1	9009417-5	9009436	9009438	9009447
23	Side Plate S Assembly	1	72CG0105113	72CG0205113	72CG0305113	74CG0505112
24	Idle Sheave	2	ES1051005L	ES1051020L	72CG0301142	M3051050
25	Top Idle Sheave Shaft	2	72CG0109143	72CG0209143	72CG0309143	74CG0509116
26	Spring Pin	2	9148157	9148191	91481108	91481110
27	Suspender C	1	72CG0109145	72CG0209145	72CG0309145	74CG1009134
28	Hexagon Head Bolt	1	72CG0109129	P1VN0809114	P1VN1009114	P1VN1259114
29	Slotted Nut	1	L3183008	ES088020L	J1NL00110180	J1NL00110240
30	Split Pin	1	9009417-5	9009436	9009438	9009447
31	Suspender A	2	72CG0109161	72CG0209161	72CG0309161	74CG0509201
32	Suspender B	2	72CG0109162	72CG0209162	72CG0309162	74CG0509202
33	Lower Shaft	2	74SH0109563	74SH0209563	74SH0309563	74SH0509563
34	Thick Spacer	(AR)	MSF116010 (12)	T7G116030 (4)	MSF116030 (16)	74SH0509583 (8)
35	Thin Spacer	(AR)	MSF117010 (30)	MSF117020 (24)	T6G120050 (24)	74SH0509584 (22)
36	Spring Pin	4	9148110	91481124	91481170	91481170
37	Bottom Idle Sheave Shaft	2	72CG0109169	72CG0209169	72CG0309169	74CG0509207
38	Idle Sheave	2	ES1051005L	ES1051020L	72CG0301142	M3051050
40	Spring Pin	4	9148157	9148191	91481108	91481111
41	Bottom Hook Assembly	1	C3BA0102001	C3BA0202001	C3BA0302001	C3BA0502001
46	Upper Shaft	2	74SH0109581	74SH0209581	74SH0309581	74SH0509581
47	Shaft Stopper Pin	4	T6G156020	MS164020	MS164030	MS164050
48	Split Pin	4	9009432	9009432	9009433	9009433
49	Thick Spacer	(AR)	MSF116010 (10)	MSF116030 (8)	MSF116030 (8)	74SH0509583 (34)
50	Fixing Spacer	(AR)	MSF182010 (4)	MSF182020 (8)	74SG0309583 (8)	-
51	Thin Spacer	(AR)	MSF117010 (10)	MSF117020 (20)	T6G120050 (22)	74SH0509584 (18)
52	Thin Spacer C	4	74CG0109853	-	-	-
53	Name Plate	1	72CG0109802	73CG0209802	73CG0309802	73CG0509802
54	Name Plate B	1	3007174901	3007174901	3007174901	3007174901
55	Name Plate C	1	72CG0109805	72CG0109805	72CG0109805	72CG0109805
56	Load Chain	1	LCCF005	LCCF3015	LCC3020	LCC3025
57	Hoist Hand Chain	1	HCCF005	HCCF005	HCCF005	HCCF005
58	Trolley Hand Chain	1	HCCF005	HCCF005	HCCF005	HCCF005
59	Stopper Pin	1	M3177005	M3177015	M3177020	MS164050
60	Split Pin	1	9009411	9009413	9009413	9009433
61	Canvas Chain Container Assembly (Option)	1	72BD0105101 (4m)	72BD0105101 (4m)	72BD0205102 (4m)	
			72BD0105102 (7m)	72BD0105102 (7m)	72BD0305102 (7m)	
	Steel Chain Container Assembly (Option)		72BA0105101 (6m)	72BA0105101 (6m)	72BA0305101 (6m)	72BA0505101 (6m)
			72BA0105102 (9m)	72BA0105102 (9m)	72BA0305102 (9m)	72BA0505102 (9m)
62	Chain Container Suspender	2	72BD0109301	72BD0209301	72BD0309301	72BD0509301 (6m) 72BD0509301 (9m)
63	Container Suspender Bolt A	2	72BD0109201	72BD0209201	72BD0309201	72BD0509201
64	Container Suspender Bolt B	2	72BD0109202 (Canvas)	72BD0209202 (Canvas)	72BD0209202 (4m) 72BD0309202 (7m)	72BA0509202
			72BA0109202 (Steel)	72BA0109202 (Steel)	72BA0109202 (Steel)	72BA0109202 72BD0509202
65	Slotted Nut	4	J1NL0011012	J1NL0011012	J1NL0011012	ES088020L
66	Split Pin	4	9009424	9009424	9009424	9009424
67	Spacer	2	72BD0109203	72BD0209203	72BD0309203	72BD0509203
68	Balancer	1	72BD0109402	72BD0209402	72BD0309402	74CG0509501
69	Hexagon Head Bolt	4	9093128	9093128	9093133	9093135
70	U Nut	4	J1NU00110100	J1NU00110100	J1NU00110100	J1NU00110100
71	Stopper Spacer	1	72BD0109401	72BD0209401	72BD0309401	72BD0509401
72	Stopper	2	ER1CS9041	ER1DS9041	ER1ES9041	ER1ES9041
73	Socket Bolt	2	9091249	9091250	9091251	9091252
74	Spring washer	2	9012709	9012709	9012709	9012709
75	Chain Hoist Body	1	CB005	CB015	CB020	CB025

AR = Quantities are shown in the parentheses next to part numbers.

9.2 SHB Parts (8 and 10 Ton)



9.2 SHB Parts (8 and 10 Ton)

Figure No.	Part Name	Parts Per Hoist	8 Ton	10 Ton
1	Side Plate G Assembly	1	74CG1005111	
2	Track Wheel G	1	T3G1101075	
3	Snap Ring	4	9047140	
4	Ball Bearing	4	9000708	
5	Track Wheel S	3	T3G1102075	
6	Track Wheel Washer	4	T3G104075	
7	Snap Ring	4	9047140	
8	Connection Yoke C	1	74CG1009135	
9	Chain Pin	1	M3041075	
10	Spring Pin	1	9148107	
11	Hexagon Head Bolt	1	P1VN1259114	
12	Slotted Nut	1	J1NL00110240	
13	Plain Washer	2	9012525	
14	Snap Ring	2	9047130	
15	Pinion	1	T3G121075	
16	Hand Wheel	1	74CG1009222	
17	Slotted Nut	1	J1NL0011012	
18	Plain Washer	1	9012515	
19	Split Pin	1	9009424	
20	Split Pin	1	9009447	
21	Side Plate S Assembly	1	74CG1005112	
22	Idle Sheave	2	M3051050	
23	Top Idle Sheave Shaft	2	74CG1009116	
24	Spring Pin	2	91481110	
25	Suspender C	1	74CG1009134	
26	Hexagon Head Bolt	1	P1VN1259114	
27	Slotted Nut	1	J1NL00110240	
28	Split Pin	1	9009447	
29	Suspender A	2	74CG1009201	
30	Suspender B	2	74GC1009202	
31	Lower Shaft	2	74SH1009563	
32	Thick Spacer	8	72CG1009204	
33	Thin Spacer	32	74SH1009565	
34	Spring Pin	4	91481171	
35	Bottom Idle Sheave Shaft	2	74CG1009207	
36	Idle Sheave	2	M3051050	
37	Spring Pin	4	91481111	
38	Bottom Hook Assembly	1	C3BA1002001	
39	Upper Shaft	2	74SH1009581	
40	Shaft Stopper Pin	4	MS164075	
41	Split Pin	4	9009435	
42	Thick Spacer	14	MS117075	
43	Fixing Spacer	6	M6SE100S9182	
44	Thin Spacer	22	MS116075	
45	Name Plate	1	73CG0759802	73CG1009802
46	Name Plate B	1	3007174901	
47	Name Plate C	1	72CG0109805	
48	Name Plate C	1	MR2SHM75S9A72	MR2SHM10S9A72
49	Load Chain	1	LCC3025	
50	Hoist Hand Chain	1	HCCF005	
51	Trolley Hand Chain	1	HCCF005	
52	Stopper Pin	1	M3177025	
53	Split Pin	1	9009414-5	
61	Steel Chain Container (Option)	1	72BD1005101 (4m)	72BD1005102 (8m)
62	Chain Container Suspender	2	72BD0509301	
63	Container Suspender Bolt A	2	72BD1009201	
64	Container Suspender Bolt B	2	72BD1009202	
65	Slotted Nut	4	ES088020L	
66	Split Pin	4	9009436	
67	Spacer	2	72BD0509203	
68	Balancer	1	72BD1009402	
69	Hexagon Head Bolt	4	9093135	
70	U Nut	4	J1NU00110100	
71	Stopper Spacer	1	72BD0509401	
72	Stopper	2	ER1ES9041	
73	Socket Bolt	2	9091273	
74	Spring washer	2	9012712	
75	Chain Hoist Body	1	CB025	

This Page Intentionally Left Blank

This Page Intentionally Left Blank

This Page Intentionally Left Blank

This Page Intentionally Left Blank



www.harringtonhoists.com

Harrington Hoists, Inc.
401 West End Avenue
Manheim, PA 17545-1703
Phone: 717-665-2000
Toll Free: 800-233-3010
Fax: 717-665-2861

Harrington Hoists – Western Division
2341 Pomona Rd. #103
Corona, CA 92880-6973
Phone: 951-279-7100
Toll Free: 800-317-7111
Fax: 951-279-7500

SHBOM