

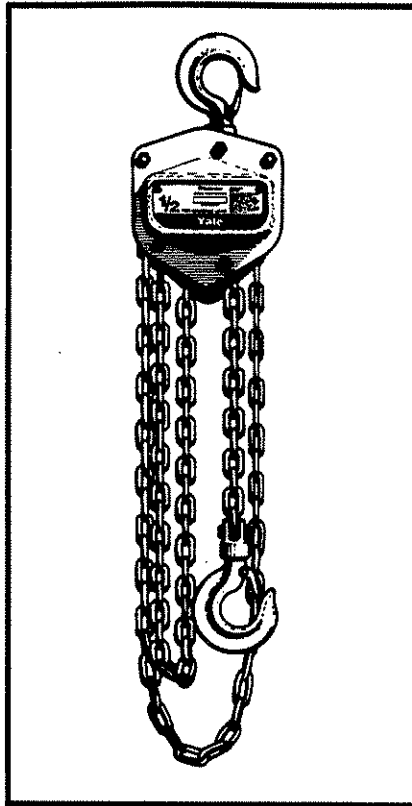
Yale[®]

OPERATING AND MAINTENANCE INSTRUCTIONS

WITH PARTS LIST

PUBLICATION NO. SHA-680

SHOP KING HAND CHAIN HOIST



SHA SERIES

IMPORTANT - CAUTION

This manual contains important information for the correct installation, operation and maintenance of the equipment described herein. All persons involved in such installation, operation and maintenance should be thoroughly familiar with the contents. To safeguard against the possibility of personal injury or property damage, follow the recommendations and instructions of this manual and keep it for further reference.

WARNING

The equipment shown in this manual is intended for industrial use only and should not be used to lift, support, or otherwise transport people.

 **Duff-Norton**

GENERAL INFORMATION

This manual provides information for the safe operation and maintenance of Yale® Hand Chain Hoist. All persons operating or maintaining the hoist should be familiar with the information contained herein. Adherence to the precautions, procedures, and maintenance practices described should ensure long, reliable operation.

All persons responsible for the installation, operation, or maintenance of hoisting equipment should read American National Standard ANSI B30.16 for guidelines toward the safe operation of hoists. This standard contains rules pertaining to inspection requirements and records that may be required by some regulatory agencies.

HOIST CONSTRUCTION

This Hand Chain Hoist provides an efficient means for lifting of freely suspended material loads within its load rating. The frame and covers of the hoist are of stamped steel construction.

The cast hand chain wheel and load activated brake provide smooth, precise spotting of loads.

INSPECTION PRIOR TO INITIAL USE

When unpacking the hoist, inspect carefully for any damage that may have occurred during shipping. Check for loose, missing, or damaged parts.

INSTALLATION

Be sure that the structures supporting the hoist are strong enough to support the full rated load of the hoist with a generous factor of safety. The hoist should be suspended directly over the load, so that the load can be lifted without side pull. The hoist body must be free to align itself between the two hooks. Do not restrain the hoist frame in any way, or allow it to rest directly against any part of the supporting structure.

TESTING

Apply a light load to the hoist and check for smooth operation and proper brake function. If the hoist works properly with light load, connect rated load to the hoist and raise the load just clear of the floor. Check that the brake holds the load before lifting any higher. No drifting of the hook should occur under any size load within the hoist's load rating.

SAFETY RULES

Inspect the hoist for any sign of loose, broken or malfunctioning parts. Any malfunctioning hoist should be tagged as "out of order" and removed from service until the defect is corrected.

- a. Do not overload the hoist.
- b. Do not exert more than the hand chain pull to lift rated load by one operator (see Table 1). The hoist is designed to lift its rated capacity when a reasonable force is exerted. If effort appears to be excessive, recheck the load and use a larger capacity hoist if necessary.
- c. Do not side load the hoist. Always pull in a straight line between hooks. Side loading over a sharp corner may fracture the hoist housing, load block or hook.
- d. Be sure there are no twists in the load chain and make sure that load chain is free to move and will clear all obstructions. On multiple chained hoist it is possible for the load block to be capsized or turned over one or more times causing the chain to twist.
- e. Do not operate the hoist from an off balanced position. Operator should have firm footing or be otherwise secured before operating the hoist.
- f. Before raising or pulling a load, always check to see that it is held securely in the hook or sling chains, etc. Raise the load only until the load chain is taut and then recheck the rigging before continuing to raise the load.

TABLE 1. GENERAL SPECIFICATIONS

Model	SHA-1/2	SHA-1	SHA-1 1/2	SHA-2	SHA-3	SHA-5
Rated Load (lbs.)	1000	2000	3,000	4000	6000	10,000
Weight (lbs.)	20	23	33	44	65	74
Standard Lift (ft.)	10-15-20	10-15-20	10-15-20	10-15-20	10-15-20	10-15-20
Pull on Hand Chain to Raise Load (lbs.)	55	60	66	88	84	79
Hand Chain Overhaul for 1 Foot Lift (ft.)	32	56	68	75	95	203
Throat Opening of Hooks (in.)	15/16	1 1/8	1 3/8	1 1/2	1 9/16	1 7/8
Minimum Distance Between Hooks (in.)	10 1/4	11 13/16	13 9/16	15	17 1/8	22 5/8
Load Chain Size Wire Diameter (mm)	5	6.3	7.1	8	10	7.1

- g. Make sure that the slings and other rigging have sufficient capacity to support the load, and are in good condition.
- h. **DO NOT STAND BENEATH A LOAD!** Do not move a load in such a manner as to endanger personnel.
- i. Do not leave the hoist under load for extended or unattended periods unless specific precautions have been taken to provide protection.
- j. Do not wrap the load chain around a load. **USE A SLING!**
- k. Do not **TIP-LOAD** any hook, as this will exert undue strain in the hook, resulting in hook failure.
- l. The hoist is designed for manual operation by one person. Do not attempt to operate hoist with other than the manual power furnished by one person.
- m. **DO NOT USE HOIST TO LIFT, SUPPORT OR OTHERWISE TRANSPORT HUMAN CARGO.**
- n. The hand chain is equipped with a safety link. When the safety link opens or deforms, stop at once and inspect for the cause.
- o. Lifting a load with two hoists is not recommended. If the operation is unavoidable, hoist the load with utmost care, keeping balance of the load.
- p. Never run the load chain out too far. When operated beyond the range of lift, an excessive load that can cause damage will be imposed on the hoist.
- q. Hoists are designed for lifting loads vertically and should not be used for horizontal or angle hoisting.
- r. Extreme temperatures will lower the toughness of the hoist. Loads should be hoisted or lowered very slowly and carefully.
- s. The hoisting operation should never be done with the bottom hook or load caught on a fixed object.
- t. Never use the chain or hook as a ground for welding.
- u. Use only genuine parts and chains supplied by the authorized distributor.

HANDLING THE LOAD

1. ATTACHING THE LOAD

- a. The load should be attached to the hook by means of slings or other appropriate devices. Never wrap the load chain around a load.
- b. Be sure the load is supported in the saddle of the hook and the latch is closed. Do not support a load on the tip of the hook.

2. LIFTING THE LOAD

- a. Raise the load by pulling the right side hand chain. Lift the load just clear of the floor. Check that slings are secure in the hook, the load is well balanced, and the hoist brake is holding the load. Lift the load to desired height, always standing clear of the suspended load.
- b. Lower the load by pulling the left side hand chain. Pull smoothly and slowly. Avoid "spinning" the hand chain.
- c. Never jam the hook block into the bottom of the hoist, or run the hook down until the slack chain is pulled tight.

PREVENTIVE MAINTENANCE

Periodic inspection and lubrication is important to ensure long and satisfactory operation of the hoist. The recommended inspection intervals indicated in Table 2 are based on intermittent operation. The user should reduce or extend his inspection intervals based on usage and individual experience.

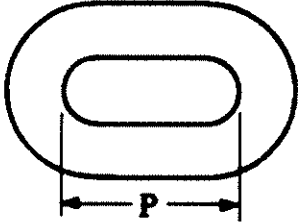
Use calipers to check the chain for wear as shown in Figure 1. Replace any chain showing damage or wear beyond the wear limit shown. (Make certain that caliper anvils are small enough to seat in the links.)

CAUTION

If chain is worn or otherwise damaged, replace entire chain with new chain supplied by the hoist manufacturer. Do not substitute. Do not attempt to reweld damaged chain.

FIGURE 1. CHAIN WEAR MEASUREMENT

	Diameter of Link (mm)	Standard Dimension P (inch)	Permissible Limit P (inch)
1/2 Ton Load Chain	5	.590	.602
1 Ton Load Chain	6.3	.752	.767
1 1/2 Ton Load Chain	7.1	.835	.850
2 Ton Load Chain	7.9	.953	.972
3 Ton Load Chain	10	1.193	1.216
5 Ton Load Chain	7.1	.835	.850
Hand Chain	5	.945	.984



HOOK DIMENSIONS (OPENING)

Inspect the hooks for deformations, chemical damage or cracks. Hooks damaged from chemicals, deformation or cracks, having throat openings greater than the "reject opening" shown in the table must be replaced. If the hook is twisted more than 10 degrees from the plane of the unbent hook it must be replaced.

Capacity (ton)	Standard Dimension F (inch)	Reject Opening F (inch)
1/2	1.181	1.300 & Over
1	1.417	1.535 & Over
1 1/2	1.358	1.494 & Over
2	1.496	1.645 & Over
3	1.890	2.086 & Over
5	2.205	2.362 & Over

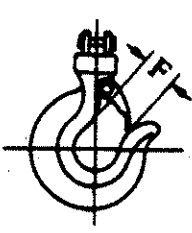


TABLE 2. INSPECTION SCHEDULE

Interval	Inspection
DAILY	a. Check hooks and hook latches for deformation or cracks. Twisted hooks or hooks with throat openings more than the reject openings listed in above table should be replaced. b. Check chain for wear and twist. c. Check brake for drift.
QUARTERLY	a. Check for loose screws, nuts, etc. b. Check load sprocket and hand chain wheel for wear.
ANNUALLY (See Disassembly)	a. Inspect for worn gears, bearings, pawl, pawl spring, ratchet, and shafts. b. Check for worn brake discs. c. Inspect hooks for cracks using magnetic particle or similar test. d. Clean chain in kerosene or other non-corrosive solvent and inspect for wear, nicks, or distortion of any kind.

DISASSEMBLY

Disassembly of the hoist is straightforward. Note the location and orientation of the various parts.

LUBRICATION

1. Good lubrication is vital to long chain life. The load chain should be kept well oiled with SAE 30 weight oil. Be sure that the oil is worked into the area between the links.
2. If the hoist is disassembled for inspection or repair, relubricate the moving parts according to Table 3.

CAUTION

The brake surfaces must be kept free of any trace of oil or grease. Apply lubricant sparingly to the parts near the brake to avoid oil contamination of the brake.

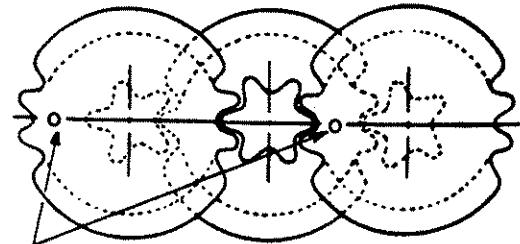
TABLE 3. RECOMMENDED LUBRICANTS

PART	LUBRICANT
Gears, bearings, pawl pivot pin, guide roller pin, hook shanks, and chain wheel threads	Any good quality NLGI #2 grease
Chain	SAE 30 weight oil
Brake parts, ratchet teeth	Do Not Lubricate

ASSEMBLY

Assembly is the reverse of disassembly. Be sure to note the following points.

1. The twin gears each have an "O" stamped on them which is used as a timing mark. The twin gears must be installed so that the timing marks both point to exactly the 9 o'clock position at the same time (see Figure 2).



TIMING MARKS

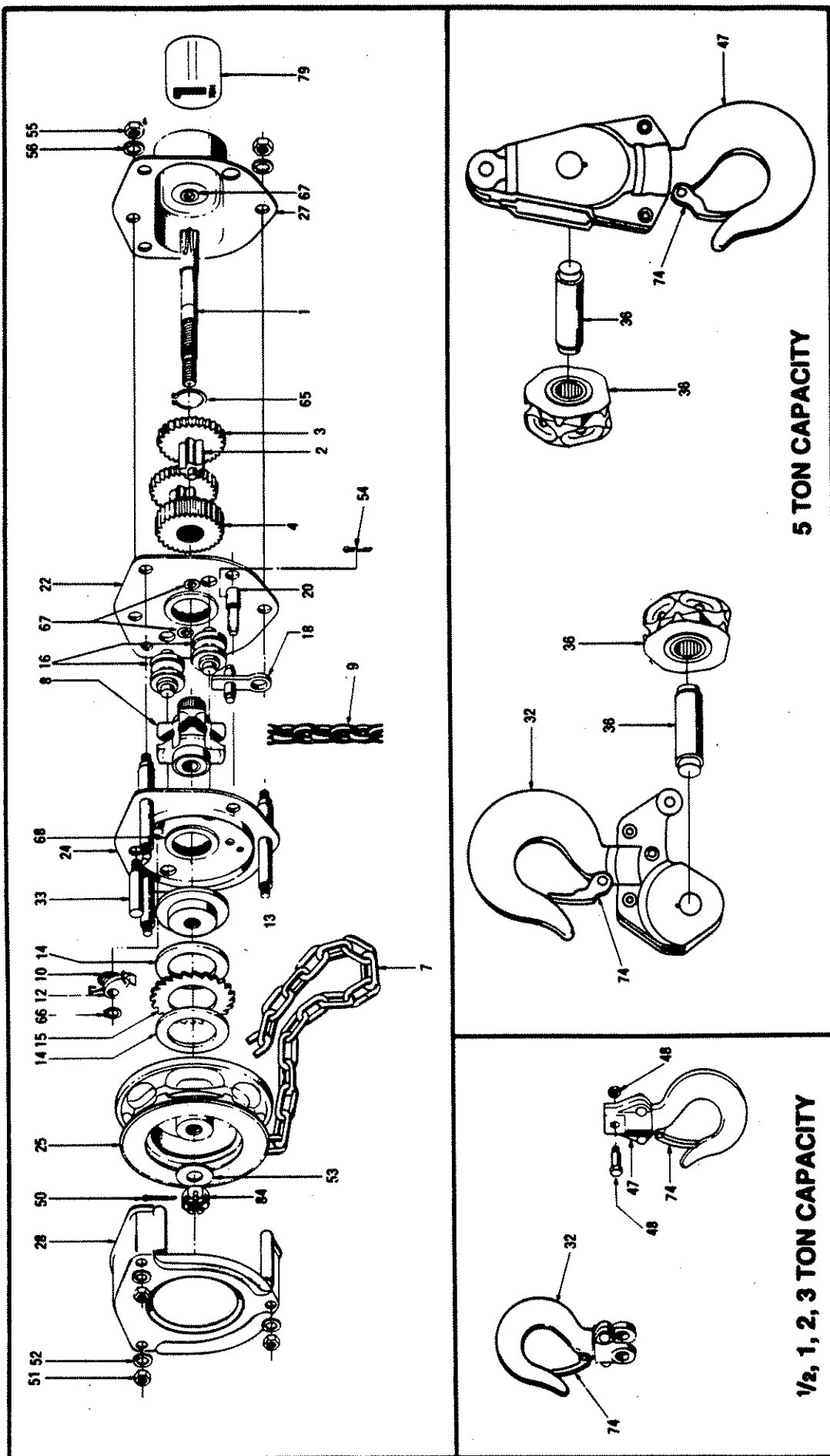
FIGURE 2.

2. Assemble the brake parts as shown in the exploded view (Figure 3). Screw hand chain wheel down tight. Screw the nut down finger tight on the input shaft, then back it off approximately one-quarter turn and install the cotter pin.
3. Install chain by running a piece of wire or string between the chain guide roller and load sprocket and then over and around the load sprocket. Tie the chain to the wire or string and pull it into the hoist so that the first link is standing on edge in one of the slots of the load sprocket, with the weld away from the sprocket. Operate hoist in the UP direction, pulling about a foot of chain around the sprocket and out the hoist. Remove the cotter pin from the slack end pin and slide the pin to one side. Pull the end of the chain under the chain guide roller and hook the last link over the slack end pin, being sure the chain has no twist. Slide the slack end pin back into position and install the cotter pin through it.

CAUTION

Be sure the slack end of chain passes between the chain guide roller and the load sprocket and under the chain guide roller.

FIGURE 3 — EXPLODED VIEW



PARTS LIST

Description	Consist of Index No.	1/2 Ton Part No.	1 Ton Part No.	1 1/2 Ton Part No.	2 Ton Part No.	3 Ton Part No.	5 Ton Part No.
Pinion Shaft	1	GHH5001	JHH5001	KHH5001	LHH5001	NHH5001	KHH5001
Pinion Gear	2, 3 (Set of 2)	GHH5003T	JHH5003T	KHH5003T	LHH5003T	NHH5003T	KHH5003T
Load Gear	4	GHH5004	JHH5004	KHH5004	LHH5004	NHH5004	KHH5004
Load Sheave	8	GHE5008	JHE5008	KHE5008	LHE5008	NHH5008	KHH5008T
Hand Chain (Per Foot)	7	GHH5009J	GHH5009J	GHH5009J	GHH5009J	GHH5009J	GHH5009J
Load Chain (Per Foot)	9	GH5009T	JHH5009T	KHH5009T	LHH5009T	LSB19-2	KHH5009T
Pawl Kit	10, 12, 66	GHH5099	JHH5099	KHH5099	LHH5099	NHH5099	KHH5099
Disc Hub	13	GHH5013	JHH5013	KHH5013	LHH5013	LHH5013	KHH5013
Friction Disc	14 (Set of 2)	GHH5014	JHH5014	KHH5014	LHH5014	LHH5014	KHH5014
Ratchet	15	GHH5015	JHH5015	KHH5015	LHH5015	LHH5015	KHH5015
Handwheel Cover	28	GHH5028	JHH5028	KHH5028	LHH5028	NHH5028	KHH5028
Top Hook	32 w/74	GHH5032T	JHH5032T	KHH5032T	LHH5032T	NHH5032T	PHH5032T
Bottom Hook	47, 48 w/74	GHH5047U	JHH5047U	KHH5047U	LHH5047U	NHH5047U	PHH5047U
Chain Fastening Bolt	48	GHH5048U	JHH5048U	KHH5048U	LHH5048U	NHH5048U	PHH5048U
Hardware Repair Kit Per Hoist	50, 51, 52, 53, 54 55, 56, 65, 84	GHH5586	JHH5586	KHH5586	LHH5586	NHH5586	KHH5586
Bearing for Pinion	67 (Set of 4)	GHH5067	GHH5067	KHH5067	LHH5067	TR132713NR	KHH5067
Bearing for Load Sheave	68 (Set of 2)	GHE5005	JHE5005	KHE5005	LHE5005	TR506213NR	TR364710NR
Latch Kit	74	GHH5074U	JHH5074U	KHH5074U	KHH5074U	NHH5074U	PHH5074U
Chain Guide Kit	16 (2), 18, 20	GHH161820	JHH161820	KHH161820	LHH161820	NHH161820	KHH161820
Gear Side Plate	22 w/o 67, 68	GHH5022	JHH5022	KHH5022	LHH5022	NHH5022	KHH5022
Wheel Side Plate	24 w/o 68	GHE5024T	JHE5024T	KHE5024T	LHE5024T	NHE5024T	KHE5024T
Handwheel	25	GHH5025	JHH5025	KHH5025	LHH5025	NHH5025	KHH5025
Gear Cover	27 w/o 67, 79	GHH5027	JHH5027	KHH5027	LHH5027	NHH5027	KHH5027
Yoke Pin	33	RH4010033	RH4010033	RH4015033	RH4020033	HH4030033	RH4015033
Decal	79	647430401	647430402	647430406	647430403	647430404	647430405
Idle Sheave Assembly	36	—	—	—	—	—	PHH5042

When ordering spare parts, be sure to state part number, capacity, model number and quantities referring to the above list.

Yale®

HAND CHAIN HOIST

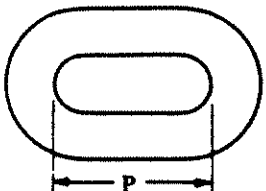
SHA SERIES

GENERAL SPECIFICATIONS

Model	SHA-8B	SHA-10B	SHA-12B	SHA-15B	SHA-20B	SHA-30B	SHA-40B	SHA-50B
Rated Load(lbs.)	16,000	20,000	24,000	30,000	40,000	60,000	80,000	100,000
Weight(lbs.)	158.4	158.4	327.8	327.8	534.6	943.8	1,394.8	1,821.6
Standard Lift(ft.)	10.20	10.20	10.20	10.20	10.20	10.20	10.20	10.20
Pull on Hand Chain to Raise Load(lbs.)	94.6	94.6	103.4	103.4	99×2	103.4×2	101.2×2	103.4×2
Hand Chain Overhaul for 1 Foot Lift(ft.)	0.0105	0.0105	0.0062	0.0062	0.0105	0.0062	0.0046	0.0033
Throat Opening of Hooks(in.)	2 3/8	2 3/8	2 31/32	2 31/32	2 31/32	3 3/4	4 17/32	4 15/16
Minimum Distance Between Hooks(in.)	30 23/32	30 23/32	39 27/32	39 27/32	41 13/16	57 1/2	69 3/4	76 3/4
Load Chain Size Wire Diameter(mm)	10	10	10	10	10	10	10	10

CHAIN WEAR MEASUREMENT

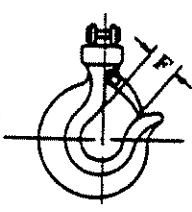
Capacity Load Chain	Diameter of Link (mm)	Standard Dimension P(inch)	Permissible Limit P(inch)
8·10 Ton Load Chain	10	1.193	1.216
12·15 Ton Load Chain	10	1.193	1.216
20 Ton Load Chain	10	1.193	1.216
30 Ton Load Chain	10	1.193	1.216
40 Ton Load Chain	10	1.193	1.216
50 Ton Load Chain	10	1.193	1.216
Hand Chain	5	.945	.984



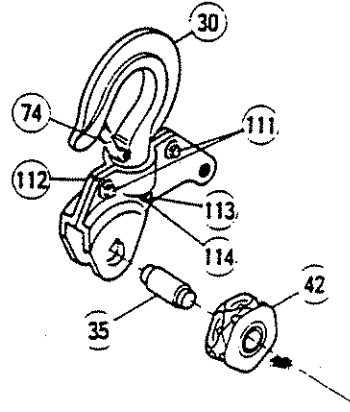
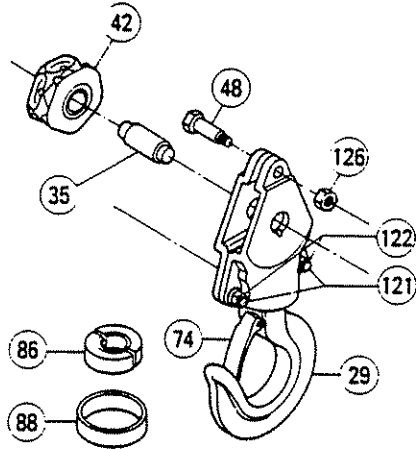
HOOK DIMENSIONS (OPENING)

Inspect the hooks for deformations, chemical damage or cracks. Hooks damaged from chemicals, deformation or cracks, having throat openings greater than the "reject opening" shown in the table must be replaced. If the hook is twisted more than 10 degrees from the plane of the unbent hook it must be replaced.

Capacity (ton)	Standard Dimension F(inch)	Reject Opening F(inch)
8·10	0.295	0.325 & Over
12·15	0.354	0.390 & Over
20	0.354	0.390 & Over
30	0.433	0.476 & Over
40	0.512	0.563 & Over
50	0.551	0.606 & Over



8t·10t

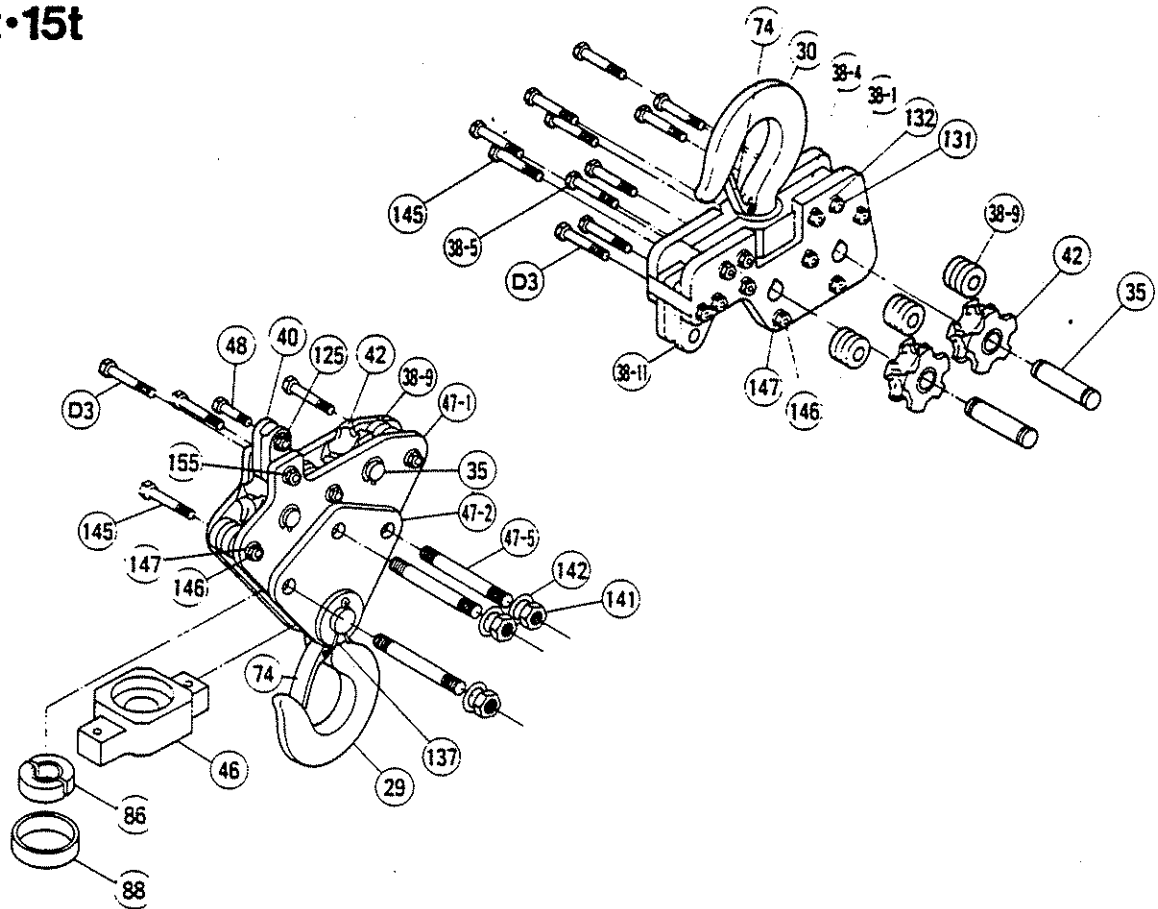


3t·10t

Description	Consist of Index No.	8 Ton Part No.	10 Ton Part No.
Bottom Hook	29	SHH50B29	SHH50B29
Top Hook	30	SHH50T29	SHH50T29
Wheel Pin Top Hook or Bottom Hook	35	SHH5035	SHH5035
Wheel Pin Top Hook or Bottom Hook	42	SHH5042	SHH5042
Bottom Holder Bolt	48	SHH5048	SHH5048
Safety Latch Lever	74	SHH5074	SHH5074
Cotter	86	SHH5054	SHH5054
Cotter Cover	88	SHH5055	SHH5055

Description	Consist of Index No.	8 Ton Part No.	10 Ton Part No.
Hexagon Socket Bolt	111	CBM16×40	CBM16×40
Nylon Nut	112	HNN1M16	HNN1M16
Hexagon Socket Bolt	113	CBM12×35	CBM12×35
Nylon Nut	114	HNN1M12	HNN1M12
Spring Nut	115	HUN1M12L	HUN1M12L
Hexagon Socket Bolt	121	CBM16×40	CBM16×40
Nylon Nut	122	HNN1M16	HNN1M16

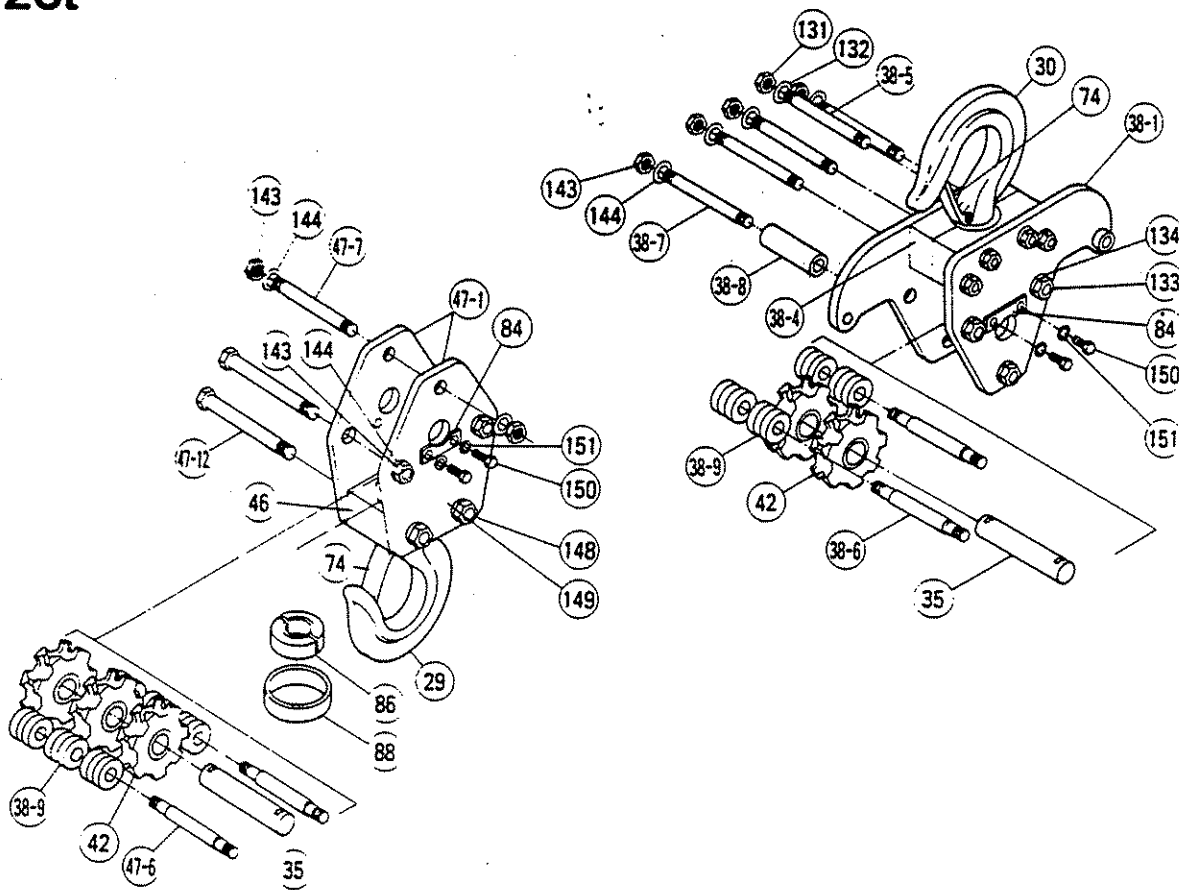
12t-15t



12t-15t

Description	Consist of Index No.	12 Ton Part No.	15 Ton Part No.	Description	Consist of Index No.	12 Ton Part No.	15 Ton Part No.
Bottom Hook	29	UHH50B29A	UHH50B29A	Stay Bolt A for Bottom Holder	47-5	UHH5A0475	UHH5A0475
Top Hook	30	UHH50T29A	UHH50T29A	Bottom Holder Bolt	48	UHH5048	UHH5048
Wheel Pin for Top Hook or Bottom Hook	35	HH4100035	HH4100035	Safety Latch Lever	74	UHH5074T	UHH5074T
Side Plate for Yoke	38-1	UHH5A0381	UHH5A0381	Cotter	86	UHH5054	UHH5054
Top Cross	38-4	UHH5A0384	UHH5A0384	Cotter Cover	88	UHH5088	UHH5088
Stay Bolt A for Yoke	38-5	UHH5A0385	UHH5A0385	Hexagon U Nut	125	HUNIM12L	HUNIM12L
Chain Guide Roller	38-9	UHH5A0389	UHH5A0389	Hexagon Nut	131	HNIM20	HNIM20
Joint Plate	38-11	UHH5A03811	UHH5A03811	Spring Washer	132	SWM20	SWM20
Chain Stop Plate	40	UHH5A040	UHH5A040	Cotter Pin	137	SP8×70	SP8×70
Wheel for Top Hook or Bottom Hook	42	SHH5042	SHH5042	Hexagon Nut	141	HNIM24	HNIM24
Bottom Cross	46	UHH5046	UHH5046	Spring Washer	142	SWM24	SWM24
Side Plate A for Bottom Holder	47-1	UHH5A0471	UHH5A0471	Hexagon Bolt	145	HBBM16×90	HBBM16×90
Side Plate B for Bottom Holder	47-2	UHH5A0472	UHH5A0472	Hexagon Nut	146	HNIM16	HNIM16
				Spring Washer	147	SWM16	SWM16
				Nylon Nut	155	HNNIM16	HNNIM16
				Yoke Pin	D3	MH4030D03	MH4030D03

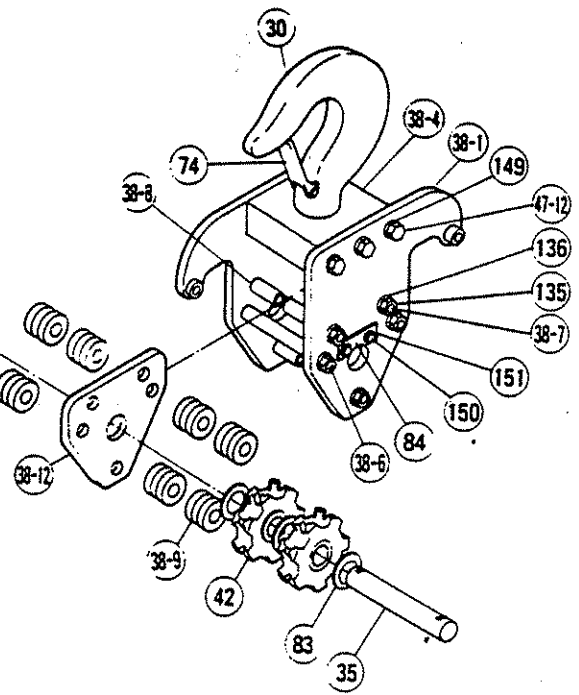
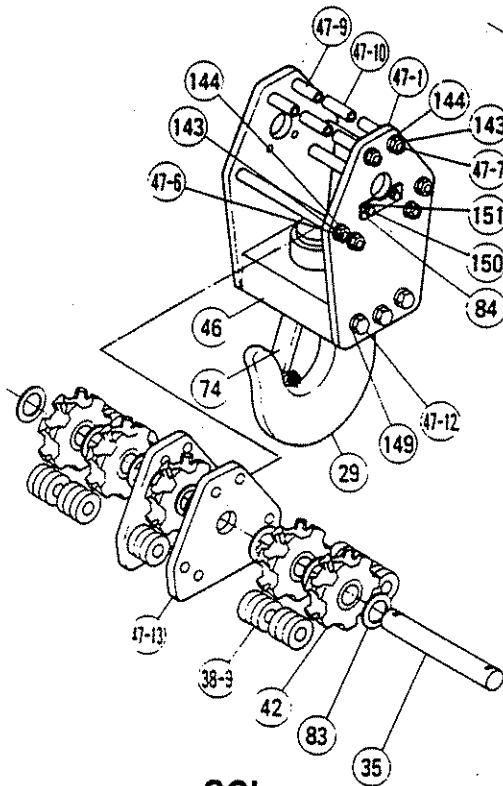
20t



20t

Description	Consist of Index No.	20 Ton Part No.	Description	Consist of Index No.	20 Ton Part No.
Bottom Hook	29	VHH50B29A	Bolt for Top Cross or Bottom Cross	47-12	VHH504712
Top Hook	30	VHH50T29A	Safety Latch Lever	74	VHH5047T
Wheel Pin for Top Hook or Bottom Hook	35	VHH5035	Kee Plate	84	VHH5084
Side Plate for Yoke	38-1	VHH50381	Cotter	86	VHH5054
Top Cross	38-4	VHH50384	Cotter Cover	88	VHH5088
Stay Bolt A for Yoke	38-5	VHH50385	Hexagon Nut	131	HNIM24
Stay Bolt B for Yoke	38-6	VHH50386	Spring Washer	132	SWM24
Stay Bolt C for Yoke	38-7	VHH50387	Hexagon Nut	133	HNIM16
Stay Pipe for Yoke	38-8	VHH50388	Spring Washer	134	SWM16
Chain Guide Roller	38-9	VHH50389	Hexagon Nut	143	HNIM16
Wheel for Top Hook or Bottom Hook	42	VHH5042	Spring Washer	144	SWM16
Bottom Cross	46	VHH5046	Hexagon Nut	148	HNIM24
Side Plate for Bottom Holder	47-1	VHH50471	Spring Washer	149	SWM24
Stay Bolt B for Bottom Holder	47-6	VHH50476	Hexagon Nut	150	HBM12×20
Stay Bolt C for Bottom Holder	47-7	VHH50477	Spring Washer	151	SWM12

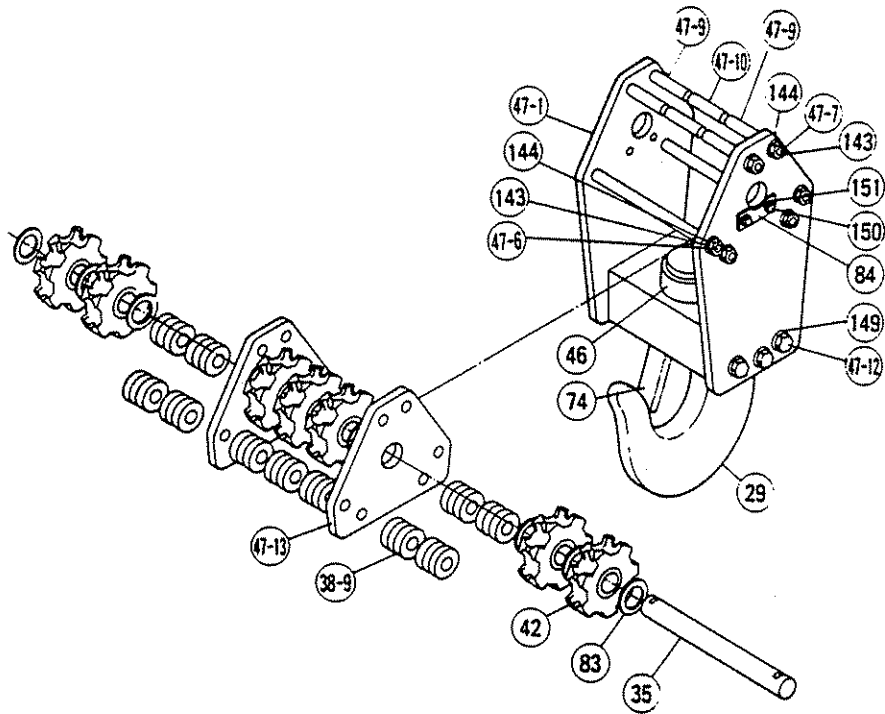
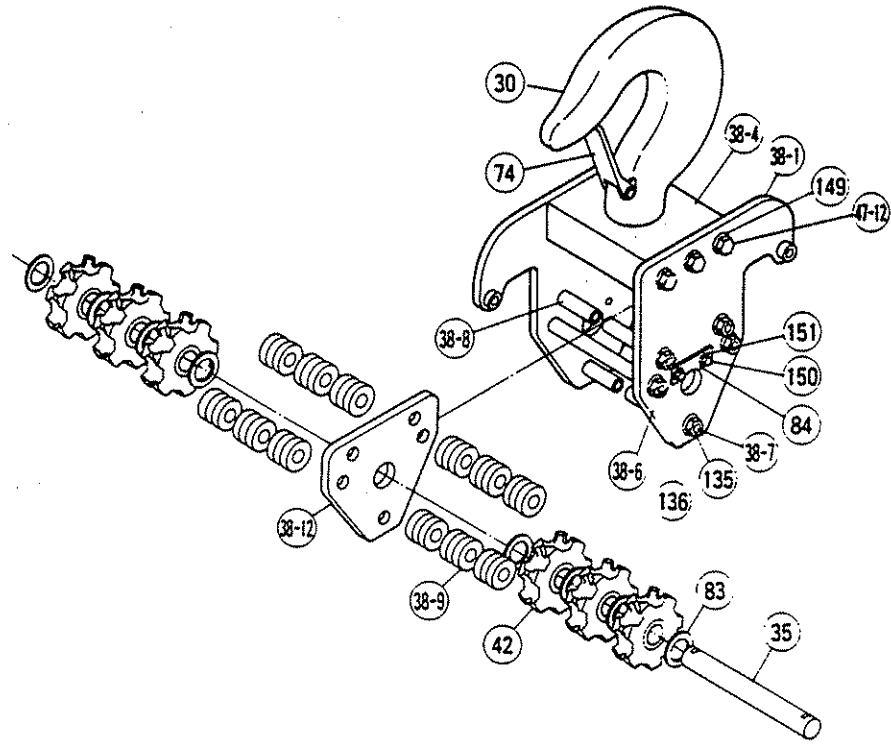
30t



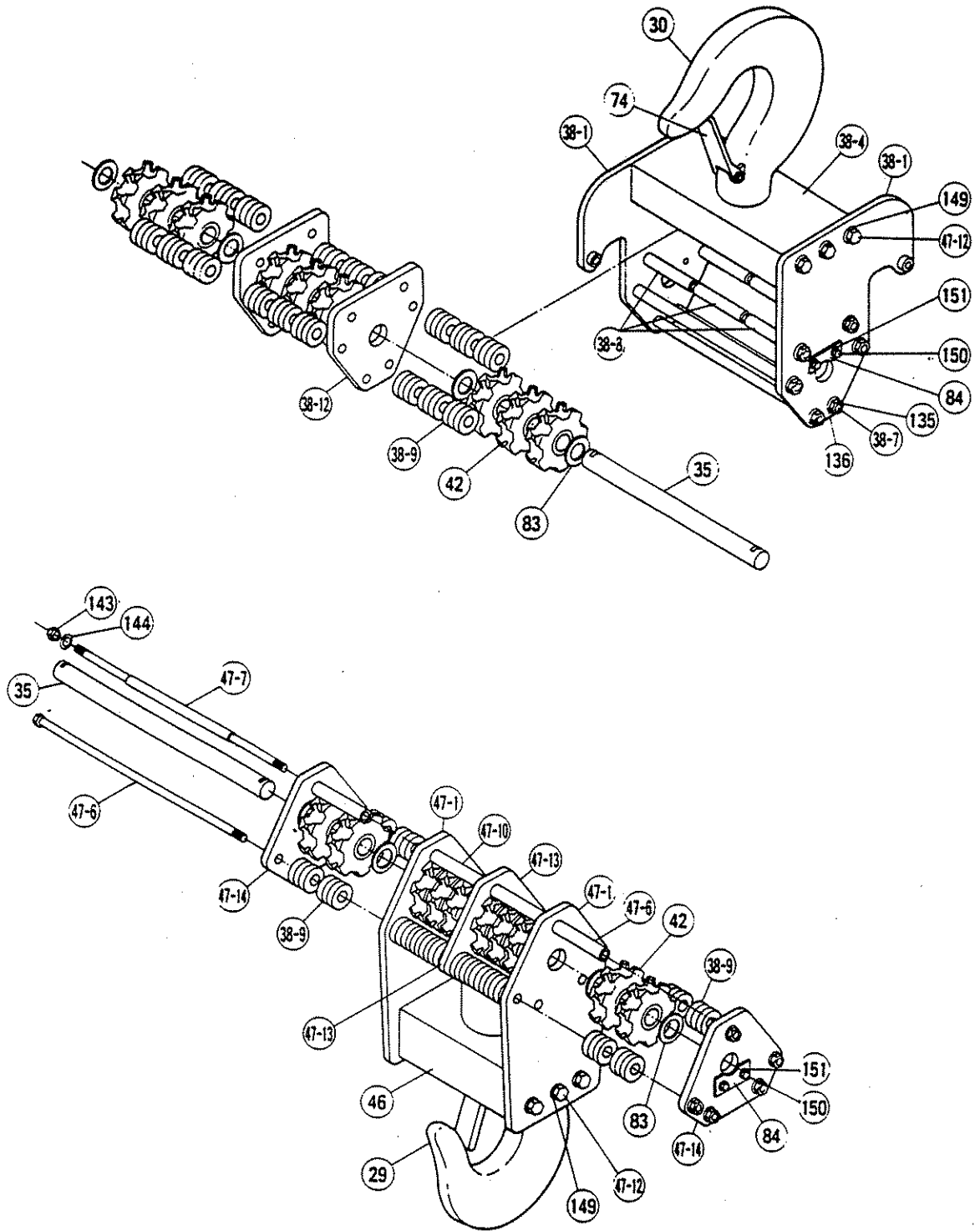
30t

Description	Consist of Index No.	30 Ton Part No.	Description	Consist of Index No.	30 Ton Part No.
Bottom Hook	29	XHH50B29A	Stay Pipe A for Bottom Holder	47-9	WHH5010
Top Hook	30	XHH50T29A	Stay Pipe B for Bottom Holder	47-10	XHH5010B
Wheel Pin for Top Hook or Bottom Hook	35	WHH5070	Bolt for Top Cross or Bottom Cross	47-12	WHH504712
Side Plate for Yoke	38-1	XHH50381	Center Plate for Bottom Holder	47-13	XHH50472
Top Cross	38-4	XHH50384	Safety Latch Lever	74	XHH5074
Stay Bolt B for Yoke	38-6	WHH5009B	Link for Top Hook Wheel or Bottom Hook Wheel	83	VHH5083
Stay Bolt C for Yoke	38-7	WHH5009C	Kee Plate	84	VHH5084
Stay Pipe for Yoke	38-8	WHH5010	Hexagon Nut	135	HNIM20
Chain Guide Roller	38-9	VHH50389	Spring Washer	136	SWM20
Center Plate for Yoke	38-12	XHH50382	Hexagon Nut	143	HNIM20
Wheel Pin for Top Hook or Bottom Hook	42	VHH5042	Spring Washer	144	SWM20
Bottom Cross	46	XHH5046	Spring Washer	149	SWM24
Side Plate for Bottom Holder	47-1	XHH50471	Hexagon Nut	150	HBM12×20
Stay Bolt B for Bottom Holder	47-6	XHH5009B	Spring Washer	151	SWM12
Stay Bolt C for Bottom Holder	47-7	XHH5009C			

40t



50t



40t·50t

Description	Consist of Index No.	40 Ton Part No.	50 Ton Part No.	Description	Consist of Index No.	40 Ton Part No.	50 Ton Part No.
Bottom Hook	29	YHH50B29A	ZHH50B29A	Stay Pipe B for Bottom Holder	47-10	YHH5010	ZHH5007B
Top Hook	30	YHH50T29A	ZHH50T29A	Bolt for Top Cross or Bottom Cross	47-12	YHH504712	YHH504712
Wheel Pin for Top Hook or Bottom Hook	35	YHH5035	ZHH5035	Center Plate for Bottom Holder	47-13	YHH50472	ZHH50472
Side Plate for Yoke	38-1	YHH50381	ZHH50381	Side Plate B for Bottom Holder	47-14	—	ZHH50471B
Top Cross	38-4	YHH50384	ZHH50384	Safety Latch Lever	74	YHH5074T	YHH5074T
Stay Bolt B for Yoke	38-6	YHH5006B	—	Link for Top Hook Wheel or Bottom Hook Wheel	83	VHH5083	VHH5083
Stay Bolt C for Yoke	38-7	YHH5006C	ZHH5006C	Kee Plate	84	VHH5084	VHH5084
Stay Pipe for Yoke	38-8	YHH5007	YHH5007	Hexagon Nut	135	HNIM 20	HNIM24
Chain Guide Roller	38-9	YHH5016	YHH5016	Spring Washer	136	SWM24	SWM24
Center Plate for Yoke	38-12	YHH50382	ZHH50382	Hexagon Nut	143	HNIM24	HNIM24
Wheel for Top Hook or Bottom Hook	42	VHH5042	VHH5042	Spring Washer	144	SWM24	SWM24
Bottom Cross	46	YHH5046	ZHH5046	Spring Washer	149	SWM30	SWM30
Side Plate for Bottom Holder	47-1	YHH50471	ZHH50471A	Hexagon Nut	150	HBM12×20	HBM12×20
Stay Bolt B for Bottom Holder	47-6	YHH5009B	ZHH5009B	Spring Washer	151	SWM12	SWM12
Stay Bolt C for Bottom Holder	47-7	YHH5009C	ZHH5009C				
Stay Pipe A for Bottom Holder	47-9	YHH5007	YHH5007				

WARNING: The equipment shown in this manual is intended for industrial use only and should not be used to lift, support, or otherwise transport people or to suspend loads over people.

AVAILABLE FROM YOUR LOCAL
YALE® HOISTS DISTRIBUTOR:

Yale® Hoist Company

Highway 1 North
P. O. Box 1000
Forrest City, Arkansas 72335 USA
Customer Service: Phone (800) 999-6318
(501) 633-2250
Fax (800) 766-0223
(501) 633-4860

DO'S AND DO NOT'S

Hand Chain Manually Operated Chain Hoists

The following warnings and operating practices have been taken from American National (Safety) Standard ANSI B30.16 and are intended to avoid unsafe hoisting practices which might lead to personal injury or property damage.

These recommendations apply to all hand chain manually operated chain hoists for vertical lifting service involving material handling of freely suspended unguided loads.

WARNING: TO AVOID INJURY

1. DO read ANSI B30.16 Safety Standard for Overhead Hoists and the Hoist Manufacturer's Operating and Maintenance Instructions.
2. DO be familiar with hoist operating controls, procedures and warnings.
3. DO make sure the hoist suspension hook is securely attached to a suitable support.
4. DO maintain firm footing or be otherwise secured when operating hoist.
5. DO make sure that load slings or other approved attachments are properly sized and seated in the hook saddle.
6. DO make sure the hook latch, if used, is closed and not supporting any part of the load.
7. DO make sure that load is free to move and will clear all obstructions.
8. DO take up slack carefully, check load balance, lift a few inches, and check load holding action before continuing.
9. DO make sure all persons stay clear of the suspended load.
10. DO avoid swinging of load or load hook.
11. DO protect load chain from weld spatter or other damaging contaminants.
12. DO promptly report any malfunction, unusual performance, or damage of the hoist.
13. DO inspect hoist regularly, replace damaged or worn parts, and keep appropriate records of maintenance.
14. DO use the hoist manufacturer's recommended parts when repairing a hoist.
15. DO use hook latches wherever possible.
16. DO apply lubricant to load chain as recommended by the hoist manufacturer.
17. DO NOT lift more than rated load.
18. DO NOT use the hoist load limiting device to measure the load.
19. DO NOT use damaged hoist or hoist that is not working correctly.
20. DO NOT use hoist with twisted, kinked, damaged, or worn chain.
21. DO NOT lift a load unless chain is properly seated in chain wheel(s) or sprocket(s).
22. DO NOT use load chain as a sling or wrap load chain around the load.
23. DO NOT lift a load if any binding prevents equal loading on all supporting chains.
24. DO NOT apply the load to the tip of the hook.
25. DO NOT operate unless load is centered under hoist.
26. DO NOT operate hoist with other than manual power.
27. DO NOT permit more than one operator to pull on a single hand chain at one time.
28. DO NOT allow your attention to be diverted from operating the hoist.
29. DO NOT operate hoist beyond limits of load chain travel.
30. DO NOT use hoist to lift, support, or transport people.
31. DO NOT lift loads over people.
32. DO NOT leave a suspended load unattended unless specific precautions have been taken.
33. DO NOT allow sharp contact between two hoists or between hoist and obstructions.
34. DO NOT allow the chain or hook to be used as a ground for welding.
35. DO NOT allow the chain or hook to be touched by a live welding electrode.
36. DO NOT remove or obscure the warnings on the hoist.
37. DO NOT adjust or repair a hoist unless qualified to perform hoist maintenance.
38. DO NOT attempt to lengthen the load chain or repair damaged load chain.

Reprinted with the permission of the Hoist Manufacturing Institute.

AVAILABLE FROM YOUR LOCAL
YALE® HOIST DISTRIBUTOR:



Yale Hoists

Highway 1 North
P.O. Box 1000
Forrest City, Arkansas 72335
Phone 1-800-999-6318
FAX 1-800-766-0223

Yale[®]

HOISTS

Warranty

Every hoist is thoroughly inspected and tested prior to shipment from the factory. Should any problems develop, return the complete hoist prepaid to your nearest Yale Authorized Warranty Repair Station.

This warranty does not apply where: (1) deterioration is caused by normal wear, abuse, improper or inadequate power supply, eccentric or side loading, overloading, chemical or abrasive actions, improper maintenance or excessive heat; (2) problems resulted from repairs, modifications or alterations made by persons other than factory or Duff-Norton personnel;

(3) the hoist has been abused or damaged as a result of an accident; (4) repair parts or accessories other than those supplied by Duff-Norton are used on the hoist. Equipment and accessories not of the seller's manufacture are warranted only to the extent that they are warranted by the manufacturer. EXCEPT AS STATED HEREIN, DUFF-NORTON MAKES NO OTHER WARRANTIES, EXPRESS OR IMPLIED, INCLUDING WARRANTIES OF MERCHANTABILITY AND FITNESS FOR A PARTICULAR PURPOSE.

Improvements:

Yale is constantly striving to improve its product. Changes in design and improvements will be made whenever the manufacturer believes the efficiency of the product will be improved without incurring any obligation to incorporate such improvements in any products which have been shipped or are in service.

Important Notice:

Use of chain, wire rope or replacement parts other than as supplied as original equipment on Yale hoists may lead to dangerous operation. Accordingly, Yale cannot be responsible in such cases and our warranty should be voided.

For more information write Yale Hoists, Forrest City, Arkansas 72335.



Yale[®] Hoists
Highway 1 North
P.O. Box 1000
Forrest City, Arkansas 72335
Customer Service Phone (800) 999-6318
Fax (800) 766-0223

Copyright 1991
Yale Hoists

3448
Printed in U.S.A.