

# Cyclone hand chain hoist

## One of the most popular and reliable hoists ever designed.

- Most interchangeability of parts in the industry
- Standard Load Limiter for simple, automatic overload protection
- Enclosed contoured Weston-type automatic brake for positive load control
- High-efficiency spur gearing for greater lift with minimum effort
- Rugged Hoist alloy chain for added strength and durability
- Fully machined, forged liftwheel pockets for easier lifting and smooth free chaining
- High-strength aluminum alloy castings in frame and covers
- Inspected over 75 times to meet or exceed HMI and ASME/ANSI performance and safety standards
- Standard hand chain drop is 2 feet less than lift, (example: 8 foot lift hoist has 6 foot hand chain drop)
- Lifetime warranty
- Metric rated
- Made in U.S.A.



### Options Include:

- Fabric chain bags
- Metal chain containers
- Zinc-plated load and hand chain
- Unwelded hand chain
- Latchlok hooks
- Bronze hooks
- Bullard hooks
- Eye-type suspension

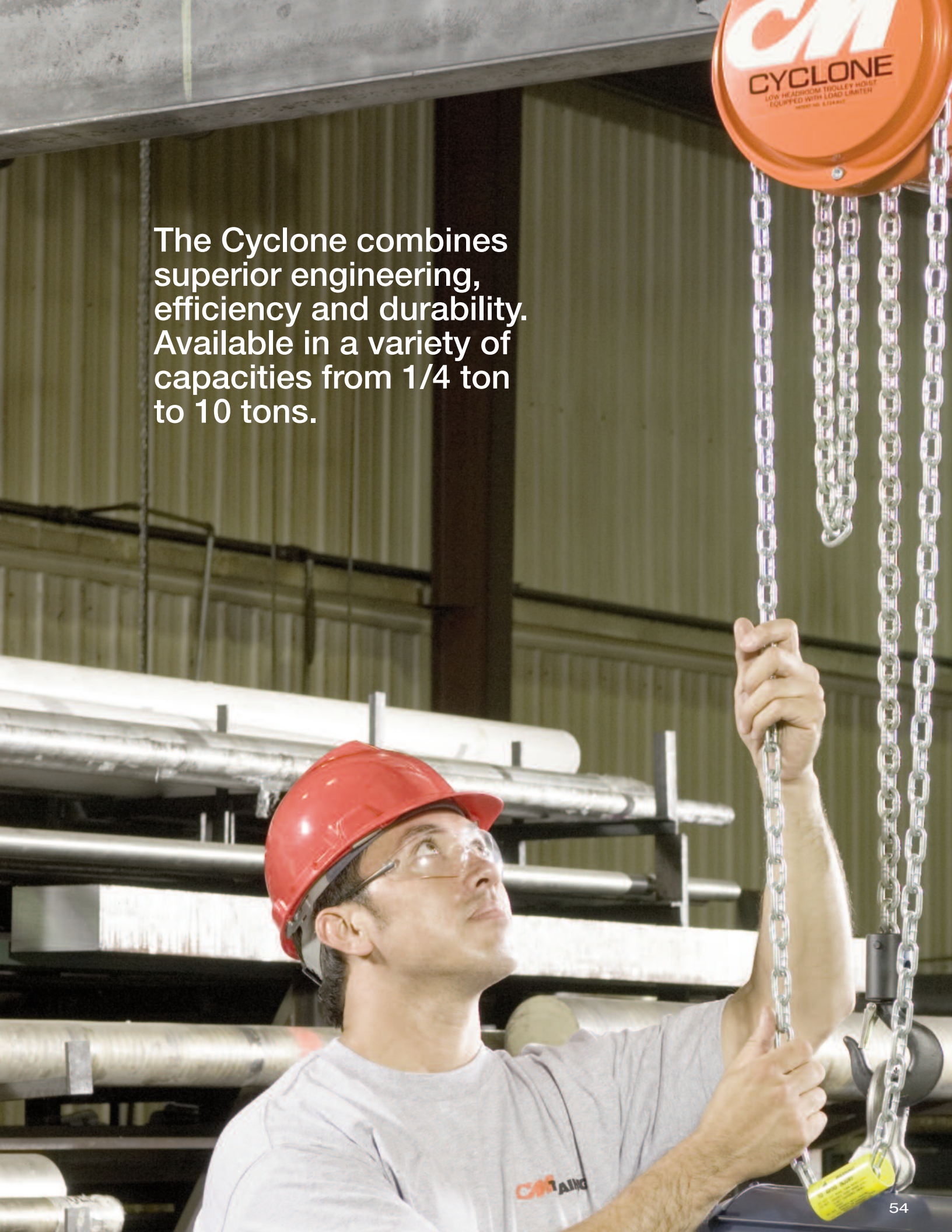
### \* **WARNING**

Overloading and improper use can result in injury.

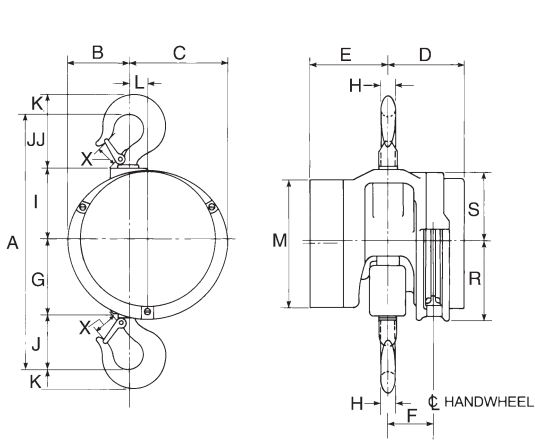
#### To avoid injury:

- Do not exceed working load limit, load rating capacity
- Do not use to lift people or loads over people.
- use only alloy chain for overhead lifting.
- Read and follow all instructions.

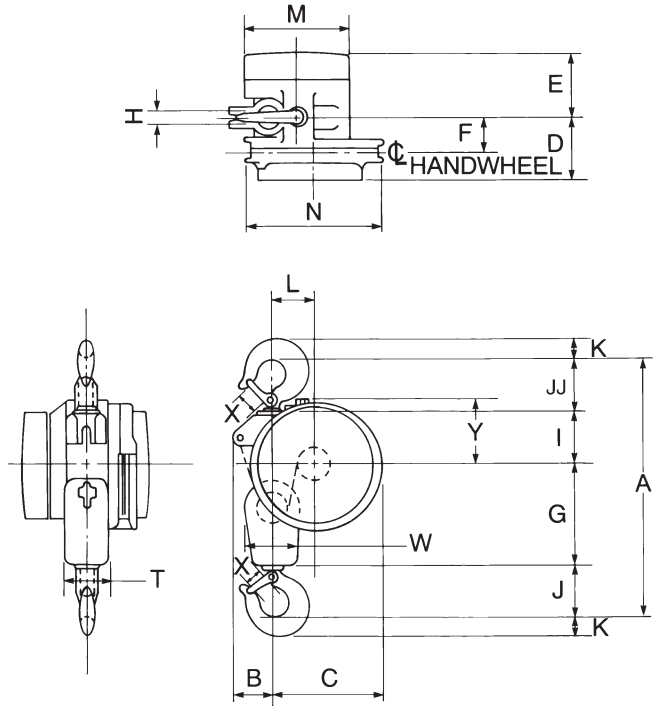
The Cyclone combines superior engineering, efficiency and durability. Available in a variety of capacities from 1/4 ton to 10 tons.



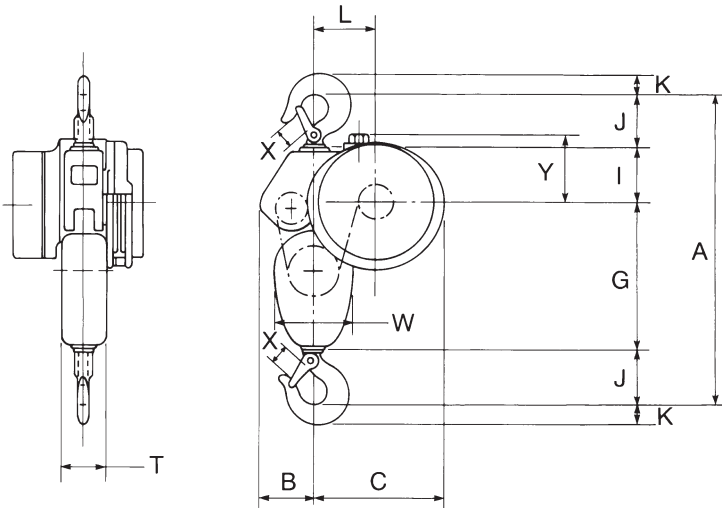
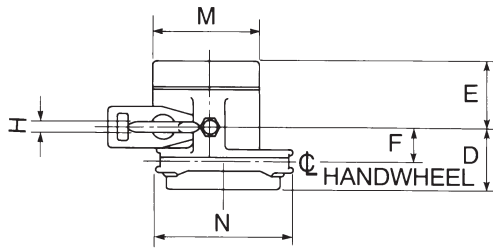
# Cyclone hand chain hoist



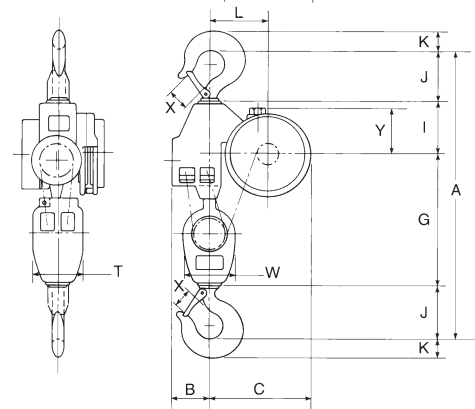
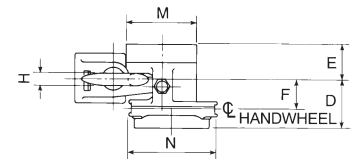
1/4 - 2 ton



3 - 4 ton



5 - 6 ton



8 - 10 ton

# Cyclone hand chain hoist-Specifications

## Specifications

Rated capacity* (tons)	Product code	Standard lift† (ft.)	Reeving	Minimum distance between hooks (in.)	Chain overhauled to lift load one foot (ft.)	Chain pull to lift full load (lbs.)	Shipping weight (lbs.)
1/4	4621	8	1	12 <sup>7</sup> / <sub>8</sub>	22 <sup>1</sup> / <sub>2</sub>	23	37
1/2	4622	8	1	12 <sup>7</sup> / <sub>8</sub>	22 <sup>1</sup> / <sub>2</sub>	46	37
1	4624	8	1	14	30	69	40
1 1/2	4625	8	1	17 <sup>5</sup> / <sub>16</sub>	40 <sup>1</sup> / <sub>2</sub>	80	65
2	4626	8	1	17 <sup>5</sup> / <sub>16</sub>	52	83	64
3	4627	8	2	21 <sup>1</sup> / <sub>2</sub>	81	85	96
4	4628	8	2	21 <sup>1</sup> / <sub>2</sub>	104	88	96
5	4629	8	3	24 <sup>1</sup> / <sub>4</sub>	156	75	128
6	4630	8	3	25 <sup>1</sup> / <sub>4</sub>	156	90	132
8	4631	8	4	34 <sup>1</sup> / <sub>2</sub>	208	89	235
10	4632	8	5	35 <sup>1</sup> / <sub>2</sub>	260	95	249

† Can be supplied with longer lifts

## Clearance dimensions (in.)

Dimension	Rated capacity* (tons)								
	1/4	1/2	1	1 1/2 & 2	3 & 4	5	6	8	10
A	12 <sup>7</sup> / <sub>8</sub>	12 <sup>7</sup> / <sub>8</sub>	14	17 <sup>5</sup> / <sub>16</sub>	21 <sup>1</sup> / <sub>2</sub>	24 <sup>1</sup> / <sub>4</sub>	25 <sup>1</sup> / <sub>4</sub>	34 <sup>1</sup> / <sub>2</sub>	35 <sup>1</sup> / <sub>2</sub>
B	3 <sup>11</sup> / <sub>16</sub>	3 <sup>11</sup> / <sub>16</sub>	3 <sup>11</sup> / <sub>16</sub>	4 <sup>3</sup> / <sub>16</sub>	3 <sup>5</sup> / <sub>16</sub>	4 <sup>3</sup> / <sub>16</sub>	4 <sup>3</sup> / <sub>16</sub>	4 <sup>3</sup> / <sub>4</sub>	4 <sup>3</sup> / <sub>4</sub>
C	7 <sup>3</sup> / <sub>16</sub>	7 <sup>3</sup> / <sub>16</sub>	7 <sup>3</sup> / <sub>16</sub>	6 <sup>11</sup> / <sub>16</sub>	8 <sup>15</sup> / <sub>16</sub>	10 <sup>5</sup> / <sub>16</sub>	10 <sup>5</sup> / <sub>16</sub>	12 <sup>3</sup> / <sub>4</sub>	12 <sup>3</sup> / <sub>4</sub>
D	4 <sup>1</sup> / <sub>8</sub>	4 <sup>1</sup> / <sub>8</sub>	4 <sup>1</sup> / <sub>8</sub>	5 <sup>1</sup> / <sub>16</sub>	5 <sup>1</sup> / <sub>16</sub>	4 <sup>7</sup> / <sub>8</sub>	4 <sup>7</sup> / <sub>8</sub>	5 <sup>13</sup> / <sub>16</sub>	5 <sup>13</sup> / <sub>16</sub>
E	3 <sup>1</sup> / <sub>4</sub>	3 <sup>1</sup> / <sub>4</sub>	3 <sup>1</sup> / <sub>4</sub>	4 <sup>13</sup> / <sub>16</sub>	4 <sup>13</sup> / <sub>16</sub>	5	5	4 <sup>1</sup> / <sub>16</sub>	4 <sup>1</sup> / <sub>16</sub>
F	2 <sup>1</sup> / <sub>16</sub>	2 <sup>1</sup> / <sub>16</sub>	2 <sup>1</sup> / <sub>16</sub>	3 <sup>1</sup> / <sub>8</sub>	3	2 <sup>15</sup> / <sub>16</sub>	2 <sup>15</sup> / <sub>16</sub>	3 <sup>3</sup> / <sub>4</sub>	3 <sup>3</sup> / <sub>4</sub>
G	3 <sup>7</sup> / <sub>8</sub>	3 <sup>7</sup> / <sub>8</sub>	3 <sup>3</sup> / <sub>4</sub>	5 <sup>3</sup> / <sub>16</sub>	8 <sup>1</sup> / <sub>4</sub>	11 <sup>13</sup> / <sub>16</sub>	11 <sup>13</sup> / <sub>16</sub>	17 <sup>3</sup> / <sub>16</sub>	17 <sup>3</sup> / <sub>16</sub>
H	1 <sup>1</sup> / <sub>16</sub>	1 <sup>1</sup> / <sub>16</sub>	1 <sup>3</sup> / <sub>16</sub>	1 <sup>1</sup> / <sub>8</sub>	1 <sup>1</sup> / <sub>4</sub>	1 <sup>1</sup> / <sub>4</sub>	1 <sup>3</sup> / <sub>8</sub>	1 <sup>11</sup> / <sub>16</sub>	1 <sup>13</sup> / <sub>16</sub>
I	3 <sup>3</sup> / <sub>4</sub>	3 <sup>3</sup> / <sub>4</sub>	3 <sup>3</sup> / <sub>4</sub>	4 <sup>13</sup> / <sub>16</sub>	4 <sup>1</sup> / <sub>4</sub>	4 <sup>3</sup> / <sub>16</sub>	4 <sup>3</sup> / <sub>16</sub>	6 <sup>1</sup> / <sub>16</sub>	6 <sup>1</sup> / <sub>16</sub>
J	2 <sup>5</sup> / <sub>8</sub>	2 <sup>5</sup> / <sub>8</sub>	2 <sup>15</sup> / <sub>16</sub>	3 <sup>5</sup> / <sub>8</sub>	4 <sup>1</sup> / <sub>8</sub>	4 <sup>1</sup> / <sub>8</sub>	4 <sup>5</sup> / <sub>8</sub>	5 <sup>5</sup> / <sub>8</sub>	6 <sup>1</sup> / <sub>8</sub>
JJ	2 <sup>5</sup> / <sub>8</sub>	2 <sup>5</sup> / <sub>8</sub>	3 <sup>9</sup> / <sub>16</sub>	3 <sup>11</sup> / <sub>16</sub>	4 <sup>7</sup> / <sub>8</sub>	—	—	—	—
K	1 <sup>5</sup> / <sub>16</sub>	1 <sup>5</sup> / <sub>16</sub>	1 <sup>1</sup> / <sub>8</sub>	1 <sup>1</sup> / <sub>2</sub>	1 <sup>11</sup> / <sub>16</sub>	1 <sup>11</sup> / <sub>16</sub>	1 <sup>7</sup> / <sub>8</sub>	2 <sup>1</sup> / <sub>4</sub>	2 <sup>9</sup> / <sub>16</sub>
L	1 <sup>3</sup> / <sub>4</sub>	1 <sup>3</sup> / <sub>4</sub>	1 <sup>3</sup> / <sub>4</sub>	1 <sup>1</sup> / <sub>4</sub>	3 <sup>1</sup> / <sub>2</sub>	4 <sup>7</sup> / <sub>8</sub>	4 <sup>7</sup> / <sub>8</sub>	7 <sup>5</sup> / <sub>16</sub>	7 <sup>5</sup> / <sub>16</sub>
M	7 <sup>1</sup> / <sub>16</sub>	7 <sup>1</sup> / <sub>16</sub>	7 <sup>1</sup> / <sub>16</sub>	8 <sup>5</sup> / <sub>8</sub>	8 <sup>5</sup> / <sub>8</sub>	8 <sup>5</sup> / <sub>8</sub>	8 <sup>5</sup> / <sub>8</sub>	8 <sup>5</sup> / <sub>8</sub>	8 <sup>5</sup> / <sub>8</sub>
N	—	—	—	—	10 <sup>7</sup> / <sub>8</sub>	10 <sup>7</sup> / <sub>8</sub>	10 <sup>7</sup> / <sub>8</sub>	10 <sup>7</sup> / <sub>8</sub>	10 <sup>7</sup> / <sub>8</sub>
R	5 <sup>7</sup> / <sub>16</sub>	5 <sup>7</sup> / <sub>16</sub>	5 <sup>7</sup> / <sub>16</sub>	5 <sup>7</sup> / <sub>16</sub>	—	—	—	—	—
S	4 <sup>11</sup> / <sub>16</sub>	4 <sup>11</sup> / <sub>16</sub>	4 <sup>11</sup> / <sub>16</sub>	4 <sup>11</sup> / <sub>16</sub>	—	—	—	—	—
T	—	—	—	—	3 <sup>7</sup> / <sub>8</sub>	4	4	6 <sup>3</sup> / <sub>8</sub>	6 <sup>3</sup> / <sub>8</sub>
W	—	—	—	—	4 <sup>1</sup> / <sub>2</sub>	6 <sup>1</sup> / <sub>4</sub>	6 <sup>1</sup> / <sub>4</sub>	6 <sup>7</sup> / <sub>16</sub>	6 <sup>7</sup> / <sub>16</sub>
X	1 <sup>1</sup> / <sub>32</sub>	1 <sup>1</sup> / <sub>32</sub>	1 <sup>1</sup> / <sub>8</sub>	1 <sup>5</sup> / <sub>16</sub>	1 <sup>5</sup> / <sub>8</sub>	1 <sup>5</sup> / <sub>8</sub>	1 <sup>3</sup> / <sub>4</sub>	2 <sup>1</sup> / <sub>16</sub>	2 <sup>5</sup> / <sub>16</sub>
Y	—	—	—	—	5 <sup>1</sup> / <sub>8</sub>	5 <sup>7</sup> / <sub>8</sub>	5 <sup>7</sup> / <sub>8</sub>	5 <sup>9</sup> / <sub>16</sub>	5 <sup>9</sup> / <sub>16</sub>

**\* ⚠ WARNING**

**Overloading and improper use can result in injury.**

**To avoid injury:**

- Do not exceed working load limit, load rating capacity
- Do not use to lift people or loads over people.
- use only alloy chain for overhead lifting.
- Read and follow all instructions.