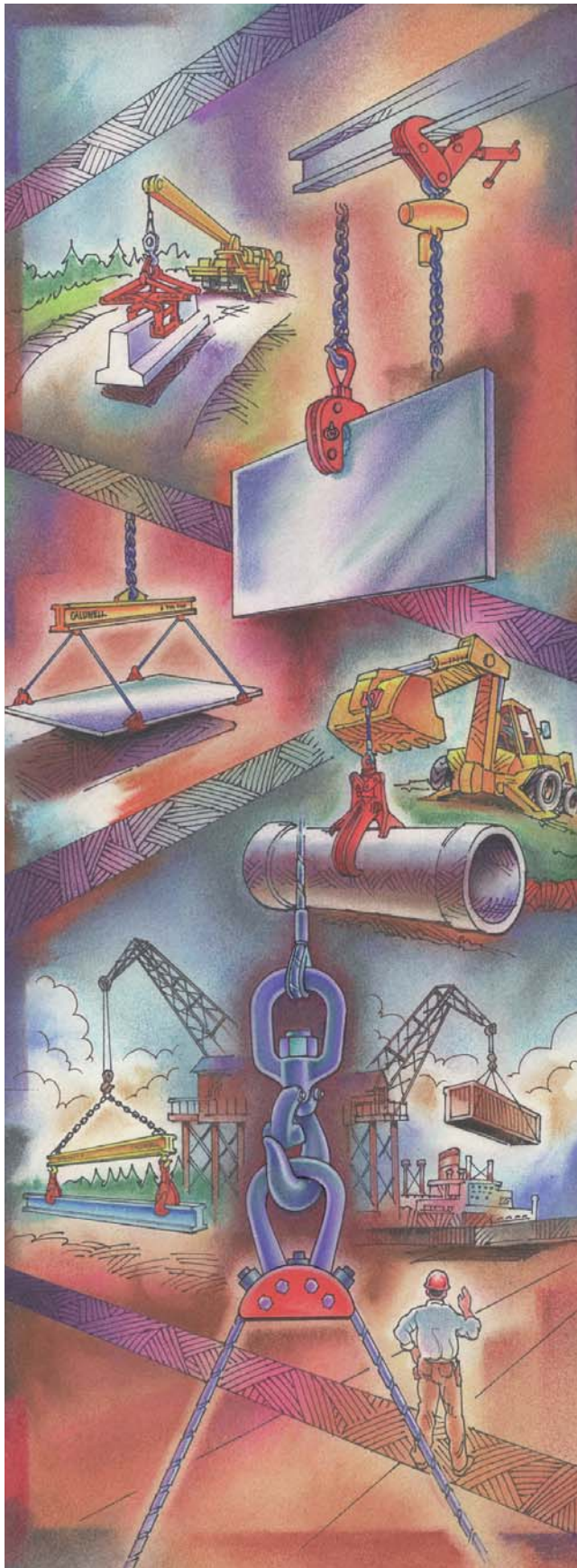


RIG-MASTER®

Rigging Attachments



The Caldwell Group • 800-628-4263 • www.caldwellinc.com



Clamps, Grabs & Tongs

Pages F.4 - F.15



Pipe & Manhole Handling

Pages F.16 - F.25



Load Leveling Slings

Pages F.26 - F.29



Bent Bar Products

Pages F.30 - F.37



Lifting Magnets

Pages F.38 - F.40



Lifting & Spreader Beams

Pages F.41 - F.47



Special Applications

Pages F.48 - F.52



Synthetic Sling End Fittings

Pages F.53 - F.58



Rig-Master® Section
2011-2013 Master Catalog

Index to Rig-Master® Rigging Attachments



The Caldwell Group • 800-628-4263 • www.caldwellinc.com

Rig-Master® Section
2011-2013 Master Catalog

Quality & Engineering F.3

Barrier Grabs F.4 - F.5	Rail Tongs & Pallet Puller F.11
Beam Grabs F.6 - F.7	Slab Tongs F.12
Girder Clamps F.8	Concrete Tongs F.12 - F.13
Beam Flange Clamps F.9	Wall Pick F.14
Beam Clamp & Tongs F.10	Drum Grab F.15

“Tea Cup” Pipe Carrier F.16 - F.17	Manhole Sleeve Lifter F.22
Pipe Pick™ F.18 - F.19	Pipe Tongs F.23
Leveling Pipe Lifter F.20	Pipe Grabs F.24
Concrete Manhole Housing Lifter ... F.21	Pipe Hooks F.25

Adjust-A-Leg® Two Point Lift F.26
Adjust-A-Leg® Four Point Lift F.27
Chain Sling Saddle Rings F.28
Adjust-A-Link F.29

J-Hooks F.30	Stirrup Hook Application Eval. F.34
Foundry Hooks F.31	Master Link & Sub-Assembly F.35
S-Hooks & Special Applications ... F.32	Pear & Round Links F.36
Custom Hook Application Eval. F.33	Custom Lifting Eye Application Eval. . F.37

Electric Magnets F.38
Permanent Lifting Magnets F.39 - F.40

Modular Spreader Beam F.41
Adjustable Beams F.42 - F.43
Fixed Beams F.44 - F.45
Spreader Beam End Fittings F.46
High Capacity Beam End Fittings F.47

Weld On Bucket Hook F.48
Clamp-On Bucket Forks F.49
“Corky” Container Lifting Lug F.50
Universal Hook Latch F.51
Heavy Duty Lever Hoist F.52

Triangles & Chokers F.53 - F.54
Unilink® Combination Triangle/Choker F.55
G-Link™ Coupler F.56
Web Sling Quick Disconnects F.57
Barrel/Drum Hooks F.58

Care & Use F.59

Clamps, Grabs & Tongs

F.4 - F.15



Pipe & Manhole Handling

F.16 - F.25



Load Leveling Slings

F.26 - F.29



Bent Bar Products

F.30 - F.37



Lifting Magnets

F.38 - F.40



Lifting & Spreader Beams

F.41 - F.47



Special Applications

F.48 - F.52



Synthetic Sling End Fittings

F.53 - F.58



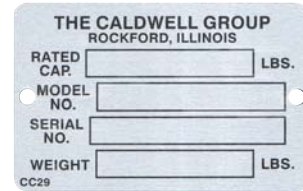
Quality & Engineering



The Caldwell Group has been manufacturing lifting equipment since 1954. It is our goal to manufacture high quality, long lasting lifting products that will safely increase productivity and reduce operating costs.

Benefits Your Company Receives With A Caldwell Lifter:

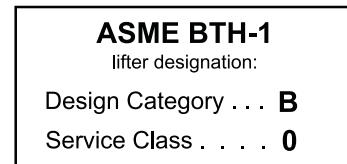
- Increased productivity.
- Low cost maintenance.
- Increased safety of an engineered product.
- Reliability and durability for long lasting service.



I.D. Nameplate

Caldwell Rigging Attachments Have:

- Identification nameplate.
- Rated capacity.
- Product safety labels.



BTH-1 Tag

Caldwell's Standard Quality Assurance

To have your new Caldwell lifter proof tested and a certificate issued, please specify (there is a nominal charge).



Industry Standards

The American Society of Mechanical Engineers (ASME) has developed standards that apply specifically to these types of devices. ASME B30.20 provides detailed information on the classifications, marking, construction, installation, inspection, testing, maintenance and operation of below the hook lifting devices. ASME BTH-1 provides detailed information on the design criteria of below the hook lifting devices. ASME B30.9 provides detailed information on the fabrication, markings, usage, inspection and maintenance of lifting slings. These standards serve as a guide to government authorities, manufacturers, purchasers and users of lifting devices. For a summary of these standards, please see pages 7-10 in the front section of this catalog or visit our web site at www.caldwellinc.com/standards.



Product Safety Labels

Caldwell Delivery Programs

The Caldwell Group offers two quick delivery programs, INSTOCK and QUICKSHIP.



Look for the **green INSTOCK** logo on our standard products. The specific **INSTOCK** model number is shown in **green**. **INSTOCK** products ship in 48 hours.*



Look for the **red QUICKSHIP** logo on our standard products. The specific **QUICKSHIP** model number is shown in **red**. **QUICKSHIP** products ship in 7 to 10 days.*

* Excluding weekends and holidays.

DISCLAIMER:

All product designs are subject to change without notice. Products pictured in this catalog are a representation of a specific design. The product you purchase will be designed for your specific application and may not look exactly like the picture in this catalog.

Clamps, Grabs & Tongs



The Caldwell Group • 800-628-4263 • www.caldwellinc.com

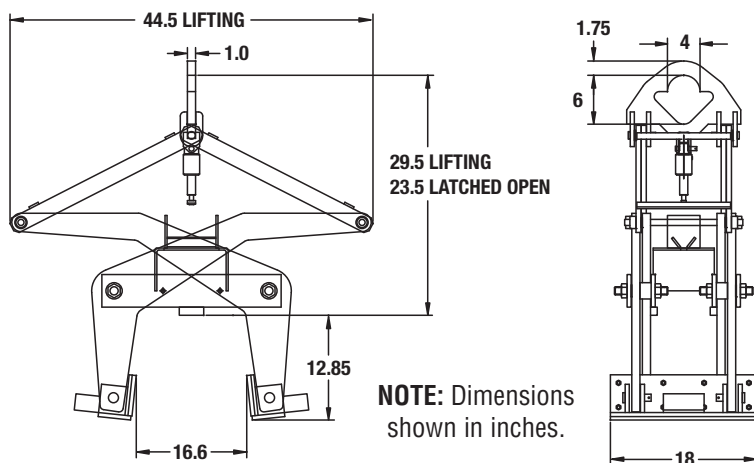
Rig-Master® Section
2011-2013 Master Catalog

Model 74 - Barrier Grabs



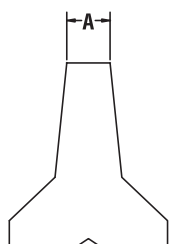
PRODUCT FEATURES:

- Auto-Latch mechanism makes operation virtually hands free.
- No need to attach and secure lifting chains or slings.
- Barriers suffer far less damage resulting in longer life and reduced cost.
- The grab moves barriers quicker and easier than manual methods, resulting in less man-hours.
- There is no need to drill holes in the barriers to accommodate chains or slings.
- Replaceable polyurethane lifting pads are designed for unpainted barriers.
- Replaceable steel 'Dog Point' lifting pads are designed for painted barriers (typical in costal areas).
- Complies with ASME standards.



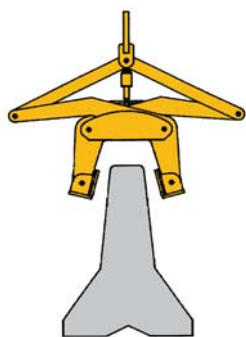
SPECIFICATIONS

Model Number	Rated Capacity (lbs.)	Weight (lbs.)
With Polyurethane Lifting Pads		
74-4 1/4	8500	450
74-7 1/4	14500	505
With Steel 'Dog Point' Lifting Pads		
74-4 1/4-DP	8500	450
74-7 1/4-DP	14500	505

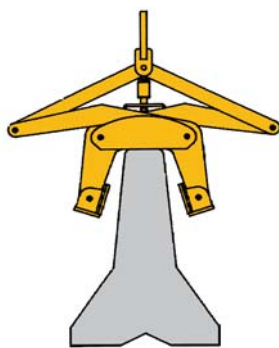


Standard Barrier Grabs will handle 6"-12" nominal width at the top ("A" dimension).

Operation



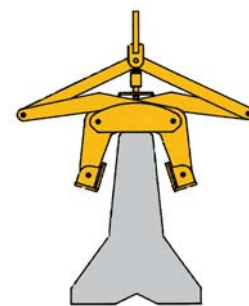
Tong is placed on load in open position. Hoist line must be slack for Auto-Latch to disengage.



Crane hook is then raised allowing pads to grip barrier.



Barrier is placed in position. Hoist line must be slack for Auto-Latch to engage.



With Auto-Latch engaged, grab is held open to allow removal from the barrier.

Clamps, Grabs & Tongs



The Caldwell Group • 800-628-4263 • www.caldwellinc.com

Model 74 - Barrier Grabs

Optional Stabilizing Kit

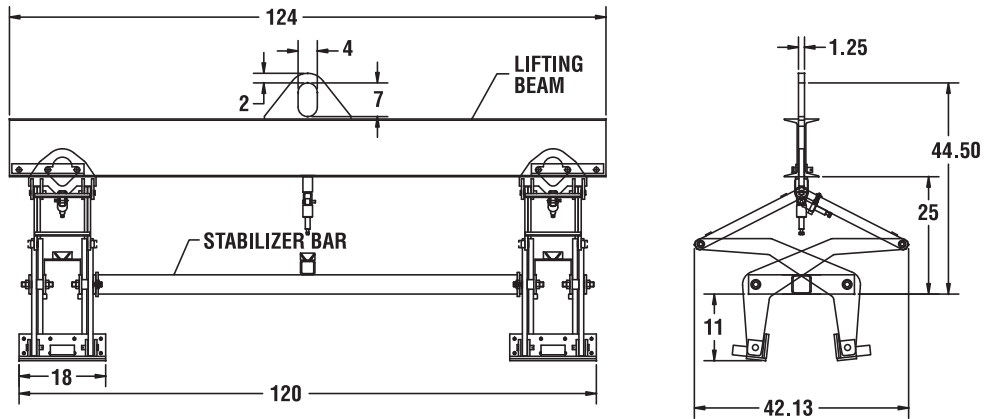


PRODUCT FEATURES:

- Attach two Barrier Grabs, and expand your barrier handling capabilities.
- Handles barriers up to 40' in length.
- Beams can be used for other material handling applications when Barrier Grabs are removed.
- Single Auto-Latch for extended unit allows for smooth operation.

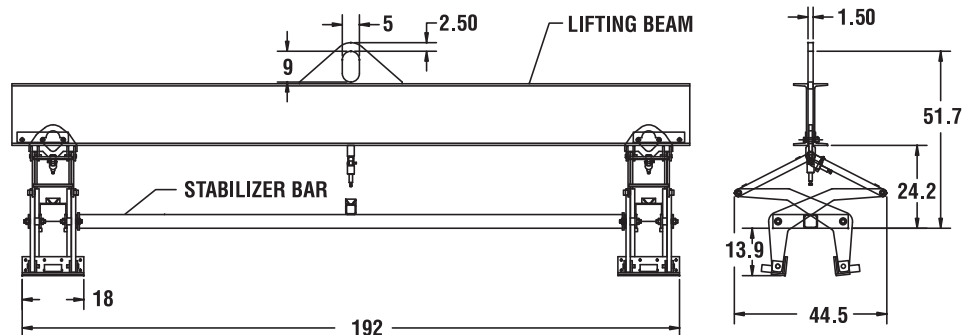
74-4 1/4-E Kit Entire Unit Rated Capacity: 17,000 lbs.

Designed for barriers
12' or longer.



74-7 1/4 E Kit Entire Unit Rated Capacity: 29,000 lbs.

Designed for barriers
18' or longer.



NOTE: Dimensions shown in inches.

Each Stabilizing Kit Consists of:*

- 1 - Model 20 Lifting Beam, with Auto-Latch lug welded in place.
- 1 - Auto-Latch
- 1 - Stabilizer bar
- 1 - Set of attaching hardware

*Barrier Grabs Sold Separately

Rig-Master® Section
2011-2013 Master Catalog

Clamps, Grabs & Tongs



The Caldwell Group • 800-628-4263 • www.caldwellinc.com

Rig-Master® Section
2011-2013 Master Catalog

Model F - Beam Grabs

IN-STOCK PROGRAM



PRODUCT FEATURES:

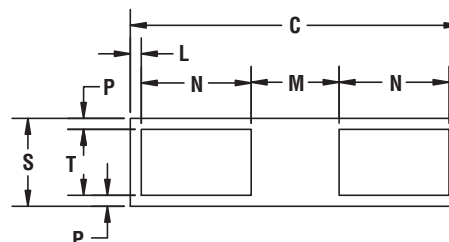
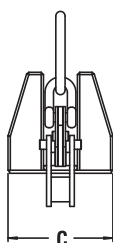
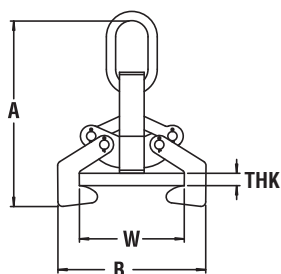
- Heavy duty design.
- These grabs provide an efficient method for handling wide flange beam sections and plate girders.
- Clamps have a recessed base to accept studs welded to a beam's surface.
- Beam grabs eliminate the need for slings or chokers.
- Use only for vertical lifting.
- For longer beams or girders, use units in pairs in conjunction with a spreader/lifting beam.
- Complies with ASME standards.

SPECIFICATIONS

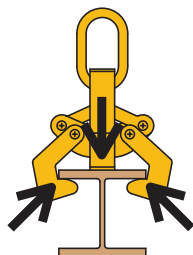
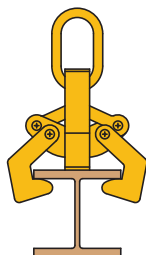
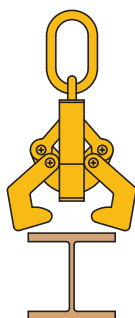
Base Dimensions

Models have bases cut out to avoid interference of studs.

Model Number	Rated Capacity (tons)	Dimensions (inches)												Weight (lbs.)
		A	B	C	Flange Width (W)	Flange Thickness (THK)		S	N	T	M	L	P	
						Min.	Max.							
F-5	5	22.70	15.70	11.60	4	.25	.25	3	3	2	4.60	.50	.50	68
					5	.25	.38							
					6 - 10	.25	1							
F-15	15	30.10	25.10	17.50	7	.50	.75	4	4	2.50	7.30	.90	.80	182
					8	.50	1							
					9	.50	1.25							
					10	.50	1.25							
					11 - 17	.25	2							
F-25	25	44.80	45.20	24.50	16 - 17	1.25	3	5.50	6	4	9.80	1.30	.80	541
					18 - 24	1	3							
F-35	35	52.90	61.60	28.50	16 - 18	2.25	4	6	9.30	4.50	8.50	.80	.80	841
					20 - 22	2	4							
					24	1.75	4							
					26	1.75	4							
					28 - 36	1	4							



Operation



Lower grab onto the beam and, if necessary, lift tong arms to allow them to slide under flanges of the beam. When the clamp is lifted, its center plate and gripping tongs work against each other... the heavier the beam, the greater the clamping pressure.

WARNING
Use only for vertical lifting.

Clamps, Grabs & Tongs



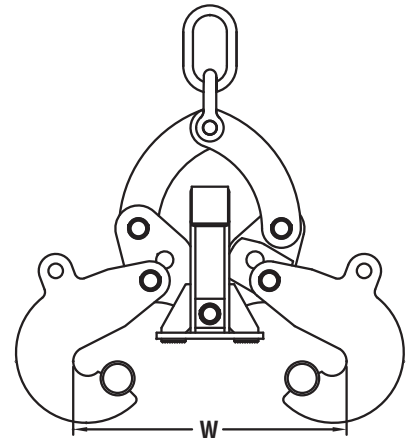
The Caldwell Group • 800-628-4263 • www.caldwellinc.com

Rig-Master® Section
2011-2013 Master Catalog

Model F - Beam Grabs - Extended Capacity

PRODUCT FEATURES:

- Custom designed for your application.
- Heavy duty grab handles wide flange beam sections and plate girders.
- Dog points on base furnish positive grip between grab and beam.
- Hook design assures contact to the beam flange or girder.
- Both hooks have chain holes - attach chain slings and use for opening hooks.
- Adjustable hook positions fit a set range of flange widths.
- For long loads, use two heavy-duty beam clamps and one spreader beam.
- Complies with ASME standards.



50 Ton unit for flange widths from 30-48" shown.



Application Evaluation

BEAM INFORMATION:

Flange width (W): Min. _____ Max. _____

Flange thickness: Min. _____ Max. _____

Beam/Girder weight _____ lbs.

Contact: _____

Company: _____

Address: _____

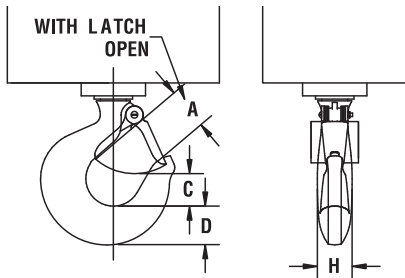
City, State, Zip: _____

Phone: _____

Fax: _____

Email: _____

CRANE HOOK DATA:



INCHES
A _____ +0
C _____ +0
D _____ -0
H _____ -0

Measurement Tolerances

- +0 = Measurement should be no larger but can be smaller than actual.
- 0 = Measurement should be no smaller but can be larger than actual
- +/- = Measurement can be larger or smaller than actual.

For a price quote on your specific application, please complete the above form and fax to The Caldwell Group at **815-229-5686** or you can complete this form online at www.caldwellinc.com/applications.

Clamps, Grabs & Tongs



The Caldwell Group • 800-628-4263 • www.caldwellinc.com

Rig-Master® Section
2011-2013 Master Catalog

Model GC - Girder Clamps

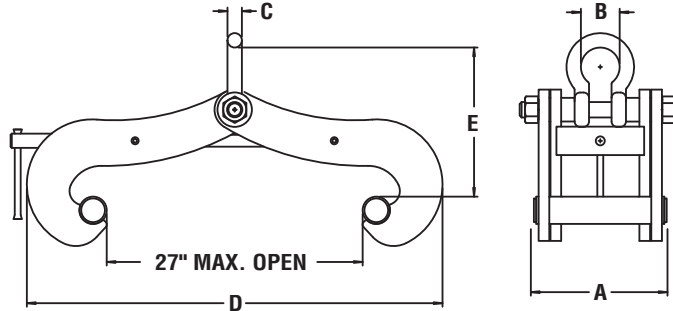


PRODUCT FEATURES:

- These clamps provide an efficient method for handling wide flange beam sections and plate girders.
- Screw-spindle design ensures positive grip.
- Simple design ensures minimum maintenance.
- Left-hand thread and right-hand thread screw spindle allows for rapid clamping and unclamping.
- Jaw opening adjusts to a wide range of beam types and flange widths.
- Use only for vertical lifting.
- Complies with ASME standards.

SPECIFICATIONS

Model Number	Rated Capacity (tons)	Dimensions (inches)							Weight (lbs.)
		Flange Width Min. - Max.	Max. Flange Thickness	A	B	C	D Min. - Max.	E Min. - Max.	
GC - 15	15	6 - 24	3	14.81	3.9	1.6	23 - 44	15.7 - 23.4	234
GC - 20	20	6 - 24	3	14.81	5	2.1	23 - 44	18.3 - 25.9	291
GC - 25	25	6 - 24	3	14.81	5	2.1	23 - 44	18.3 - 25.9	342



Operation



For lifting and positioning structural beams. Can be used in pairs in conjunction with a spreader beam for additional stability.

WARNING

Use only for vertical lifting.



Clamps, Grabs & Tongs



Model BFC - Beam Flange Clamps

IN-STOCK PROGRAM



OPTION LB
Large Bail



PRODUCT FEATURES:

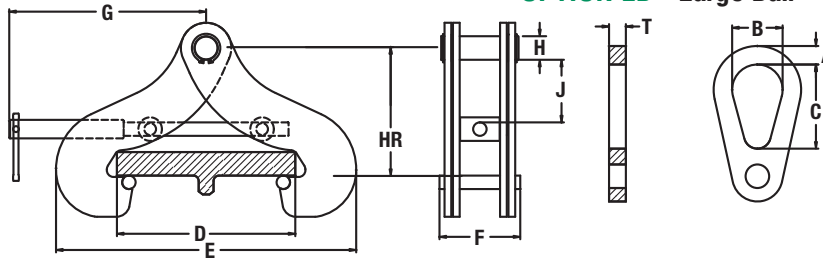
- Rated load capacities from 1 to 10 metric tons.
- Proof test with certificate.
- Lightweight and portable design.
- Left-hand thread and right-hand thread screw spindle allows for rapid clamping and unclamping.
- Lock nut prevents inadvertent loosening of clamp.
- Jaw opening adjusts to a wide range of beam types and flange widths.
- Use only for vertical loading.
- Built-in suspension pin provides lower headroom.
- Powder coated finish.
- Available with Large Bail option for oversized hoist hooks.
- 5:1 design factor meets portions of ASME B30.16.
- Complies with ASME B30.20 and BTH-1 standards.

SPECIFICATIONS

Model Number	Rated Capacity (lbs.)	Dimensions (inches)												Weight (lbs.)	
		D		E	F	G	H Diameter	J	Option LB				HR Headroom (in.)		
		Min.	Max.	Max.					A	B	C	T	@ Man. D		@ Mix. D
BFC-1	2200	3.00	7.50	12.25	3.00	9.25	0.88	2.10	0.75	2.00	2.00	0.63	3	5	8
BFC-2	4400	3.00	7.50	12.25	3.00	9.25	0.88	2.10	0.75	2.00	2.00	0.63	3	5	9
BFC-3	6600	6.00	12.00	19.75	4.25	11.00	1.25	2.38	1.00	2.50	2.50	1.00	4.5	7.5	19
BFC-5	11000	6.00	12.00	19.75	4.25	11.00	1.25	2.38	1.00	2.50	2.50	1.00	4.5	7.5	22
BFC-10	22000	6.00	13.25	22.50	6.00	14.63	1.75	4.65	1.38	3.75	6.25	1.25	7.5	10.25	50

NOTE: Weights are for clamp only.

OPTION LB - Large Bail



Applications



Allows for the capability of hanging hoists or rigging from an overhead load bearing structure.



For lifting and positioning structural beams. Can be used in pairs in conjunction with a spreader beam for additional versatility.

Clamps, Grabs & Tongs



The Caldwell Group • 800-628-4263 • www.caldwellinc.com

Rig-Master® Section
2011-2013 Master Catalog

Model BC - Beam Clamp

IN-STOCK PROGRAM



PRODUCT FEATURES:

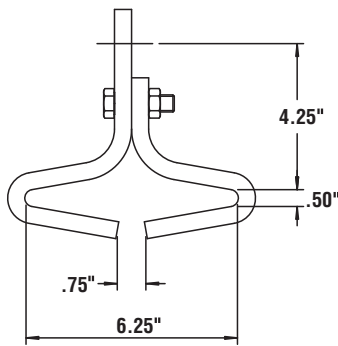
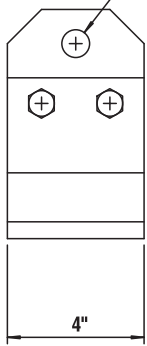
- Rated load capacity of one ton.
- Economical and convenient.
- Lightweight and portable design, high strength construction.
- Use only for vertical lifting.
- Complies with ASME standards.

SPECIFICATIONS

Model Number	Rated Capacity (tons)	Flange		Weight (lbs.)
		Min. (in.)	Max. (in.)	
55 - 1	1	4	6	10

Shackle not included (13/16" dia. hole for up to 3-1/4 ton shackle).

13/16" DIA.
FOR UP TO 3-1/4 TON SHACKLE



For lifting and positioning structural beams. Can be used in pairs in conjunction with a spreader beam for additional versatility.



Allows for the capability of hanging hoists or rigging from an overhead load bearing structure.

Model BT - Beam Tongs

IN-STOCK PROGRAM

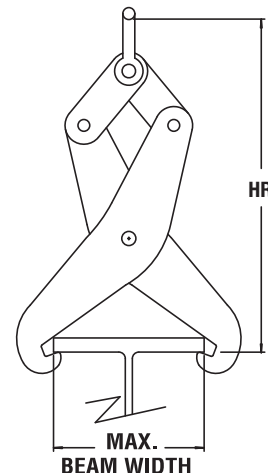


PRODUCT FEATURES:

- Tong provided with lifting shackle.
- Load must be balanced and controlled when lifting.
- Use only for vertical lifting.
- For added stability when handling longer loads, use in pairs with a spreader beam.
- Complies with ASME standards.

SPECIFICATIONS

Model Number	Rated Capacity (tons)	Dimensions (inches)			Weight (lbs.)
		Beam Width Min. - Max.	Max. Flange Thickness	Head Room	
111 - 1	1	5 - 6	5/8	17	15
111 - 2	2	6.50 - 8	3/4	19	18
111 - 3	3	7.50 - 10	3/4	19	21



Clamps, Grabs & Tongs



The Caldwell Group • 800-628-4263 • www.caldwellinc.com

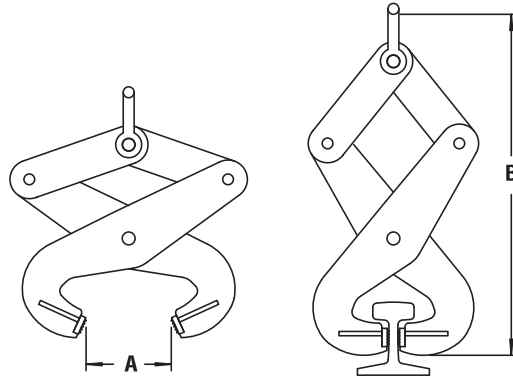
Model RLT - Rail Tongs



IN-STOCK PROGRAM

PRODUCT FEATURES:

- Rail Tongs are designed to handle all standard size rails.
- Tongs are provided with non-slip machined diamond face gripping pads.
- Load must be balanced and controlled when lifting.
- Complies with ASME standards.



SPECIFICATIONS

Model Number	Rated Capacity (tons)	A (in.)	B (in.)	Handles Std. ASCE Rail (# per yard)	Weight (lbs.)
109 - 1	1	3	18	30 & 40	15
109 - 2	2	5	20	50 - 100	18

Model MPP - Pallet Puller



IN-STOCK PROGRAM

PRODUCT FEATURES:

- Used for moving hard to reach loaded pallets from flat surfaces, such as truck trailers or loading docks.
- Extends reaching capability of the fork lift truck.
- Single scissor action.
- Heavy duty steel design.
- Not for overhead lifting.
- Working load limit 1,250 pounds.
- 3/8" proof coil chain.

SPECIFICATIONS

Model Number	Jaw Opening (in.)		Chain Length (in.)	Weight (lbs.)
	Max.	Min.		
MPP-1	4.00	1.00	24	14



Rig-Master® Section
2011-2013 Master Catalog

Clamps, Grabs & Tongs



The Caldwell Group • 800-628-4263 • www.caldwellinc.com

Rig-Master® Section
2011-2013 Master Catalog

Model ST - Slab Tongs

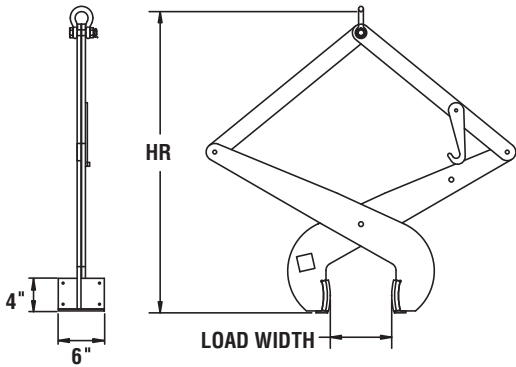


IN-STOCK PROGRAM

PRODUCT FEATURES:

- Designed for lifting dry slabs of concrete, stone, or metal that must be protected from scratching or marring.
- Use in construction work to position slabs.
- The curved pads give proper contact for gripping smooth surfaces and handling a large range of sizes.
- Polyurethane gripping surfaces are standard.
- A manual latch is standard and locks the tong arms for easy placement on the load.
- Complies with ASME standards.

3.25 Ton SHACKLE



SPECIFICATIONS

Model Number	Rated Capacity (lbs.)	Load Width (in.) Min. - Max.	HR Headroom (in.) Min. - Max.	Weight (lbs.)
71-0	1000	1 - 6	31.30 - 39.58	65
71-1	1000	6 - 10	35.06 - 43.00	75
71-2	1500	8 - 12	29.18 - 38.06	85
71-3	1500	10 - 14	31.43 - 42.00	145
71-4	1500	14 - 18	41.38 - 51.25	145
71-5	1500	18 - 22	48.90 - 60.00	150

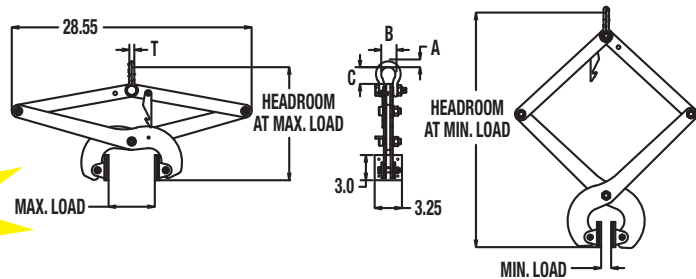
Model 172 - Concrete Pressure Tong with Urethane Pads



NEW

PRODUCT FEATURES:

- Designed for handling cured concrete products.
- Automatically adjusts to the load size.
- Easy to release manual latch.
- Pivoting pads align with load surface for proper contact.
- Polyurethane pads grip surface without damage.
- Complies with ASME standards.



NOTE: Dimensions shown in inches.

SPECIFICATIONS

Model No	Rated Cap. (lbs.)	Dimensions (inches)							Weight (lbs.)
		Load Width Min - Max	Overall Width Min - Max	HR Headroom Min - Max	Bail				
					A	B	C	T	
172-1/4	550	1-3/16 - 5-1/2	21.8 - 28.8	13.5 - 29.5	11/16	1-11/16	2	11/16	25
172-1/2	1100	1-3/16 - 5-1/2	21.8 - 28.8	13.5 - 29.5	3/4	2	3-3/8	5/8	43

IN-STOCK PROGRAM

Clamps, Grabs & Tongs



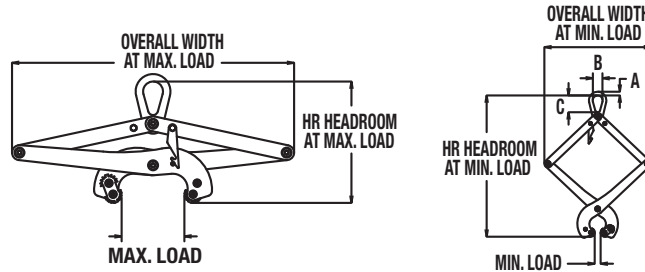
Model 173 - Concrete Pressure Tong with Grip Teeth



IN-STOCK PROGRAM

PRODUCT FEATURES:

- Designed for handling cured concrete products.
- Automatically adjusts to the load size.
- Easy to release manual latch.
- Serrated steel cams securely grip the load.
- Pads can be rotated for longer field life.
- Complies with ASME standards



NOTE: Dimensions shown in inches.

SPECIFICATIONS

Model No	Rated Cap. (lbs.)	Dimensions (inches)						Weight (lbs.)
		Load Width Min - Max	Overall width Min - Max	HR Headroom Min - Max	Bail			
173-1/4	550	1-3/16 - 6-5/16	21.8 - 28.8	13.5 - 29.5	11/16	1-11/16	2	24.5
173-1/2	1100	1-3/16 - 6-5/16	21.8 - 28.8	13.5 - 29.5	3/4	2	3-3/8	42.5
173-1	2200	2-3/8 - 7-3/32	32.6 - 36.6	16.7 - 29.5	11/16	1-11/16	2-3/8	93



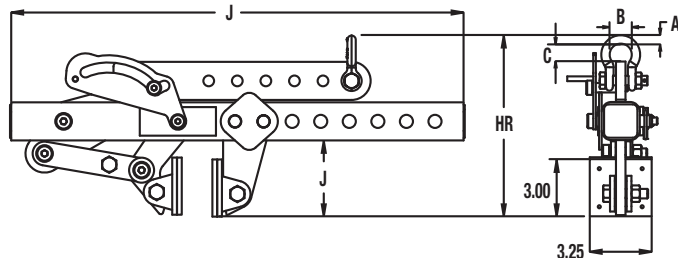
Model 176 - Concrete Pressure Tong with Urethane Pads



IN-STOCK PROGRAM

PRODUCT FEATURES:

- Designed for handling cured concrete products.
- Multiple adjusting ranges.
- Pivoting pads align with the load surface for proper contact.
- Adjustable lifting point to ensure a balanced lift.
- Complies with ASME standards



NOTE: Dimensions shown in inches.

SPECIFICATIONS

Model No	Rated Cap. (lbs.)	Dimensions (inches)							Weight (lbs.)
		Load Width Min - Max	Overall width J	L	HR Headroom Min - Max	Bail			
176-1/4	550	3/8 - 9-7/16	23.75	4-1/8	9 - 16.2	7/16	1-1/8	15/16	16
176-1/2	1100	3/8 - 9-7/16	23.75	4-1/8	9 - 16.2	7/16	1-1/8	15/16	21



Clamps, Grabs & Tongs



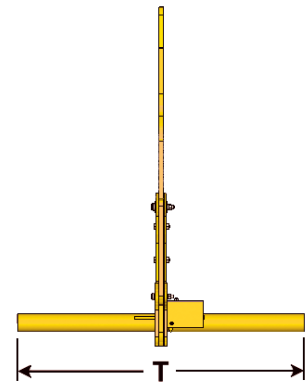
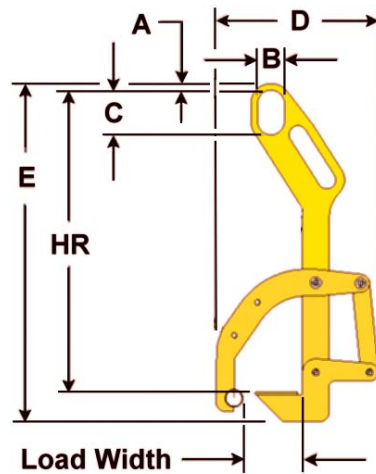
The Caldwell Group • 800-628-4263 • www.caldwellinc.com

Model WP - Wall Pick



PRODUCT FEATURES:

- High quality lifting clamps designed to pick and place prefabricated wall panels used in housing and building construction.
- Designed to lift panels from a horizontal to a vertical position.
- Locking mechanism prevents the camp from releasing while loaded.
- The 50' release rope allows the operator to release the clamp from the top of the panel once the load is set and secured.
- Lower lifting plate has an open design so it will clear nails or bolts.
- Complies with ASME standards.



SPECIFICATIONS

Model Number	Rated Capacity (lbs.)	Dimensions (inches)									
		Load Width		A	B	C	Closed Position			T	Weight (lbs.)
		Min	Max				D	E	HR		
WP-1.25-4/6	2500	4.00	6.00	.75	3.00	5.00	18.1	37.8	33.75	32.00	53.0
WP-1.25-8/12	2500	8.00	12.00	.75	3.00	5.00	23.8	39.8	35.75	32.00	62.0

WP-1.25-4/6 is designed for 2 x 4 or 2 x 6 wall construction.
 WP-1.25-8/12 is designed for 2 x 8 to 2 x 12 wall construction.

Operation



Clamps, Grabs & Tongs



Model VDG - Vertical Drum Grab



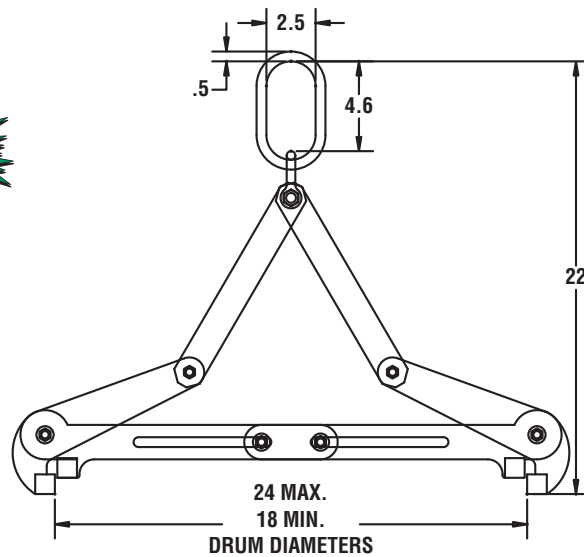
PRODUCT FEATURES:

- This vertical drum grab is ideal for handling closed or open* steel drums.
- No fasteners, binders, or rings to put around drum.
- Grab allows drums to be closely stored to maximize floor space.
- Grab will not damage drum.
- Complies with ASME standards.

IN-STOCK PROGRAM

SPECIFICATIONS

Model Number	Rated Capacity (tons)	Weight (lbs.)
150 - 1	1	19



NOTE: Dimensions shown in inches.

*Not recommended for open steel drums containing free flowing liquids.

Operation



1. Lower grab on to top of drum.



2. Grab takes hold under rim. (Not automatic)



3. Lift drum.

Pipe & Manhole Handling



The Caldwell Group • 800-628-4263 • www.caldwellinc.com

Rig-Master® Section
2011-2013 Master Catalog

Model PC - "Tea Cup" Pipe Carrier



IN-STOCK PROGRAM

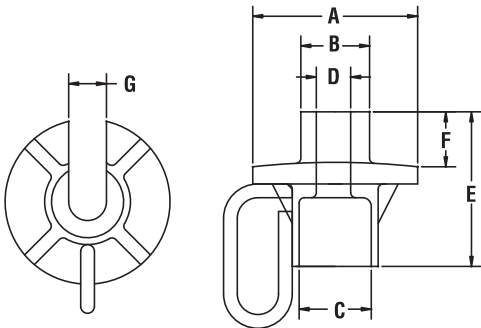
PRODUCT FEATURES:

- An efficient way to handle concrete water and sewer pipes.
- The Caldwell "Tea Cup" Pipe Carrier will save you time and money.
- Three sizes available, to handle from 3/4" to 1-1/2" cable, and lift up to 18 tons.
- Optional "Spoon Handle" allows the PC-3/4 "Tea Cup" to be guided into small diameter pipes.
- Complies with ASME standards.

SPECIFICATIONS

Model Number	Rated Capacity (tons)	Dimensions (inches)							Weight (lbs)
		A	B	C	D	E	F	G	
PC-3/4*	6.6	5.56	2	2.13	1.13	4.75	1.75	1.13	9
PC-1	13	6	2.50	2.63	1.38	5.75	1.75	1.38	12
PC-1 1/2	18	8	3	3.25	1.63	7.63	2.75	1.63	22

* Can use "Spoon Handle" with this model.



Model PC - Low Profile "Tea Cup" Pipe Carrier

Same quality engineering as the standard model plus:



IN-STOCK PROGRAM

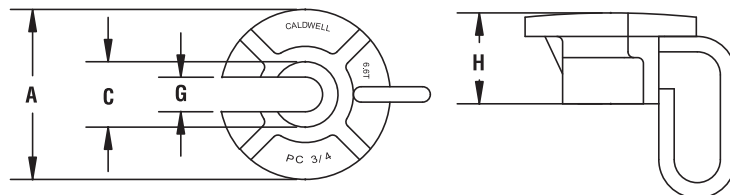
PRODUCT FEATURES:

- Only wire rope needs to be inserted through pipe.

SPECIFICATIONS

Model Number	Rated Capacity (tons)	Dimensions (inches)				Weight (lbs.)
		A	C	H	G	
PC-3/4-F*	6.6	5.56	2.13	3.44	1.13	9
PC-1-F	13	6	2.63	4.38	1.38	12
PC-1 1/2-F	18	8	3.25	5.13	1.63	22

* Can use "Spoon Handle" with this model.



Pipe & Manhole Handling



“Tea Cup” Pipe Carrier Options

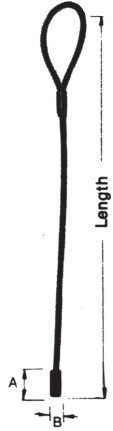
IN-STOCK PROGRAM

OPTION SH - “Spoon Handle”

Length 61.1" with slight bend for ease of use.



“Spoon Handle” for PC-3/4 only please order SH-3/4. (Includes bolt on lip)



OPTION LS - “Tea Cup” Lifting Sling

SPECIFICATIONS

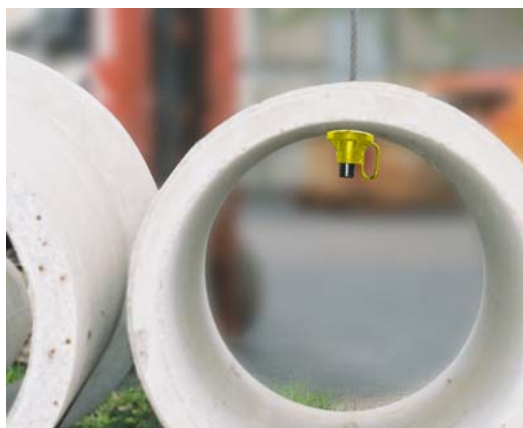
Use With	Model Number	Rated Capacity (tons)	Sling Dia. (in.)	Standard Length (ft.)	After Swage (in.)		Wt. (lbs.)
					A	B	
PC-3/4	LS-3/4	4.9	3/4	5	3.25	1.55	9
	LS-7/8	6.6	7/8	5	3.86	1.80	14
PC-1	LS-1	8.5	1	5	4.36	2.05	19
	LS-1 1/8	10	1 1/8	5	4.81	2.30	26
	LS-1 1/4	13	1 1/4	5	5.42	2.56	33
PC-1 1/2	LS-1 1/2	18	1 1/2	5	6.52	3.00	52

NOTE: INSTOCK on standard 5' length only.

Operation



Drop pipe carrier lifting sling through hole in pipe. Align and insert “Tea Cup” pipe carrier into lifting sling.



Once set, you are ready to lift the pipe.

Pipe & Manhole Handling



The Caldwell Group • 800-628-4263 • www.caldwellinc.com

Model CPP - Pipe Pick™

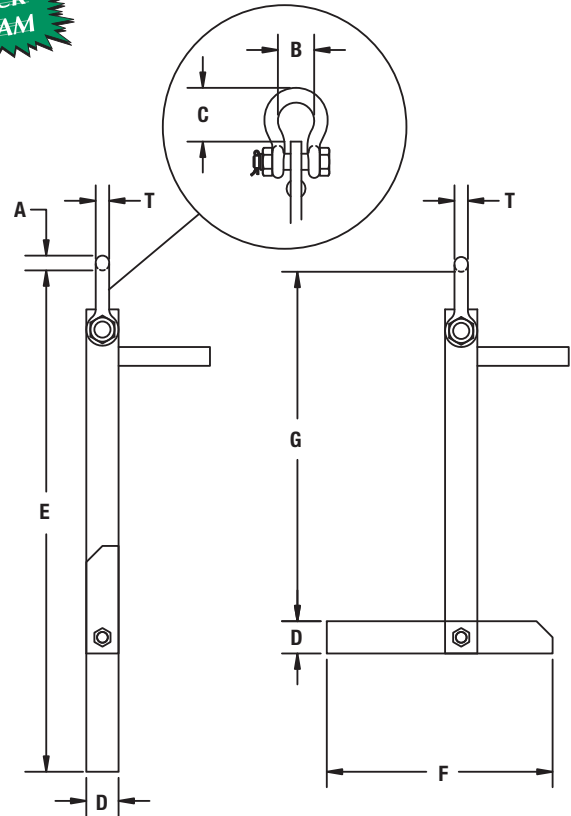
The patented concrete Pipe Pick™ is a quicker, safer, and cleaner way of handling precast concrete pipe.

PRODUCT FEATURES:

- Simple and fast.
- No need to reach inside the pipe.
- Worker remains above the pipe at all times.



IN-STOCK PROGRAM



Patent No. 5,820,186

The bigger the job, the more you'll like the Pipe Pick™.



WARNING
Use only for vertical lifting.

SPECIFICATIONS

Model Number	Capacity (tons)	Minimum Pipe I.D.	Dimensions (in.)				Bail Dimensions (in.)				Weight (lbs.)
			D	E	F	G	A	B	C	T	
CPP-1.5	1-1/2	12	1.5	23.5	10.25	17.75	0.69	1.69	1.81	0.63	10
CPP-3	3	14	2	28.5	12.00	22.50	0.81	2.00	2.19	0.75	18
CPP-5	5	16	2.75	43.75	13.0	38.75	1.06	2.69	2.75	1.00	46

Pipe & Manhole Handling



The Caldwell Group • 800-628-4263 • www.caldwellinc.com

Model CPP - Pipe Pick™

Simply insert the **Pipe Pick™** into the lifting hole in the pipe — tilt — to engage the beveled edge — and lift up! You can now lift and set the pipe.



Insert



Tilt



Lift

To remove the **Pipe Pick™** once the pipe is set, lower the **Pipe Pick™**; the counter weighted lift arm automatically falls straight and the **Pipe Pick™** can be removed from the pipe.



Lower



Tilt



Remove

Pipe & Manhole Handling



The Caldwell Group • 800-628-4263 • www.caldwellinc.com

Model CPL - Leveling Pipe Lifter

Lets you place and position concrete pipe up to 8' in length in one operation.



PRODUCT FEATURES:

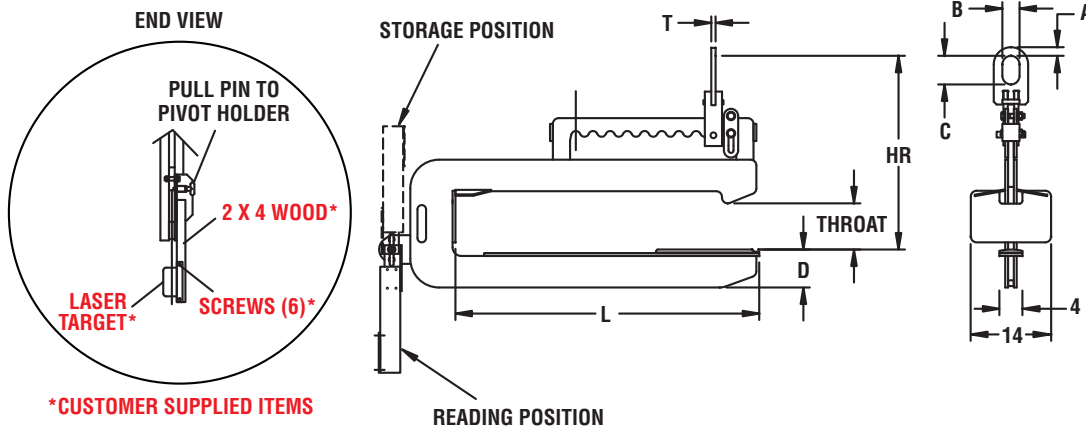
- Stand-up leveling bail adjusts for varying pipe lengths.
- Adjustable bail stop makes repetitive lifts easy to handle.
- Pipe stop helps drive the pipe into position.
- Built-in laser target holder allows operator to set & laser position at the same time.*
- Positioning handle.
- Complies with ASME standards.



SPECIFICATIONS

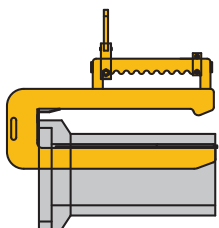
Model Number	Dimensions (inches)									Capacity (lbs.)	Weight (lbs.)
	Min. Pipe I.D.	Throat	Arm (D)	Arm Length (L)	HR Headroom	Bail Dimensions					
						A	B	C	T		
CPL-1.5	8	8	6.62	53	33.80	1.50	3	5	0.75	3000	300
CPL-3	10	8	6.87	53	35.63	1.50	3	5	1	6000	500
CPL-4.5	10	8	7.44	54	37.31	2	4	7	1.25	9000	700
CPL-6	12	8.50	8.38	54.50	39.25	2	4	7	1.25	12000	750
CPL-9	12	10	8.25	55	41.63	2	4	7	1.25	18000	1100
CPL-15	14	12	10.75	58	48.12	2.50	4	7	1.50	30000	1550

*NOTE: Laser target, 2x4 and screws not included.

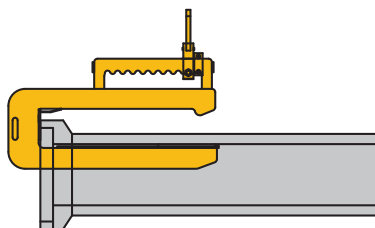


*CUSTOMER SUPPLIED ITEMS

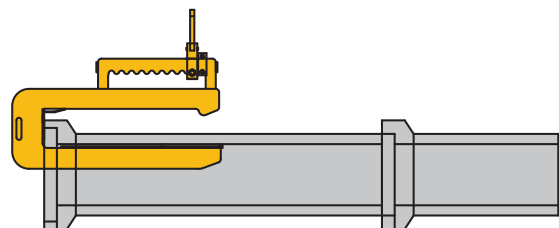
Operation



4' Carry Position or Empty Position



8' Carry Position



Use to easily join lengths of pipe.

Pipe & Manhole Handling



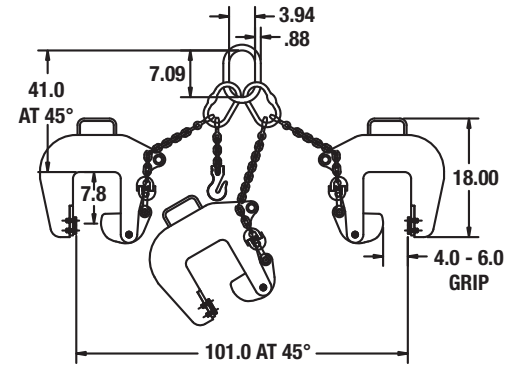
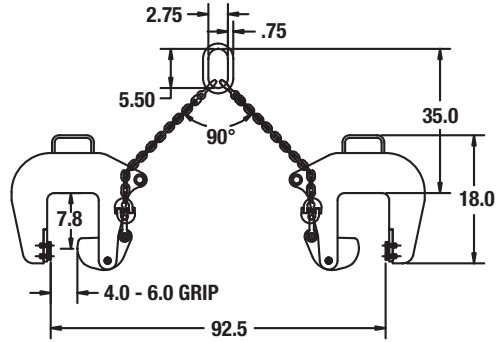
The Caldwell Group • 800-628-4263 • www.caldwellinc.com

Model MHL - Concrete Manhole Housing Lifter



PRODUCT FEATURES:

- Handle concrete pipe efficiently without damage to concrete seat.
- Legs can be quickly positioned to safely balance the load.
- 2 or 3 leg models available.
- Handles 4" – 6" concrete wall thickness.
- Requires constant tension to maintain positive load contact.
- Complies with ASME standards.



3-Leg Model

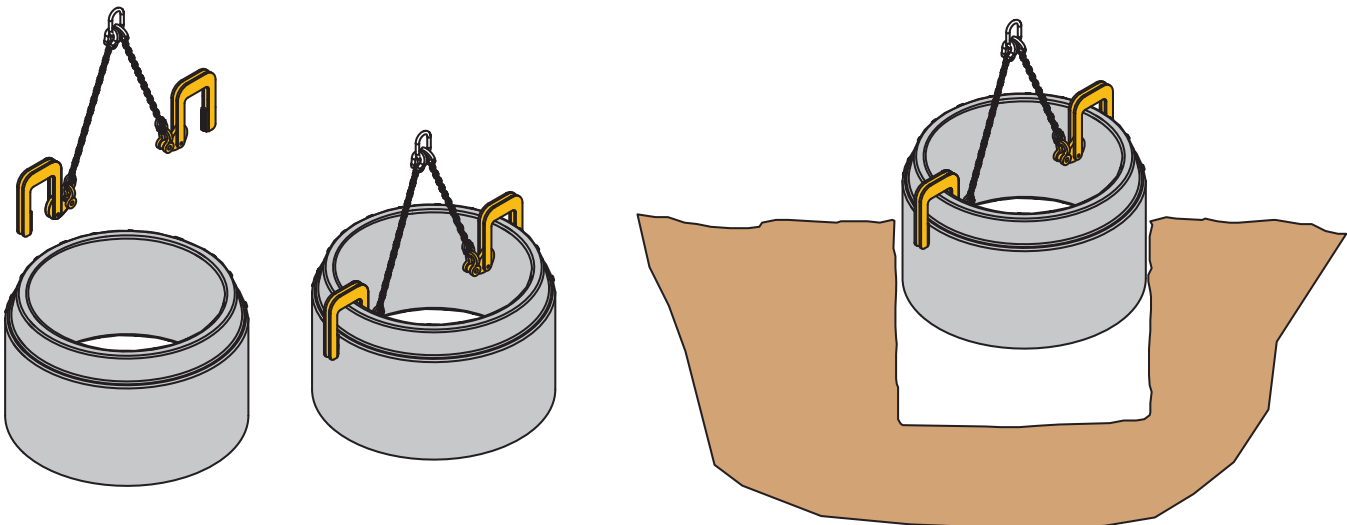
NOTE: Dimensions shown in inches.

SPECIFICATIONS

Model Number	Description	Maximum Diameter (in.)	Capacity (lbs.)	Weight (lbs.)
MHL-5	2-Leg Model - Two 42" Legs	92.5	10000	131
MHL-7.1/2-72	3-Leg Model - Two 42" Legs - One 72" Leg With Chain Shortener	101	15000	181
MHL-C	Clamp Only	-	5000	45

NOTE: Reverse cam action eliminates slippage tendency. Consult factory for other housing configurations.

Operation



Pipe & Manhole Handling

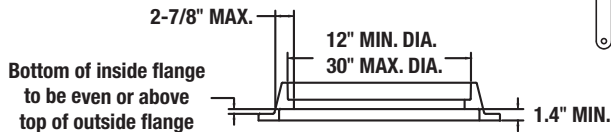


The Caldwell Group • 800-628-4263 • www.caldwellinc.com

Model MCL - Manhole Sleeve Lifter

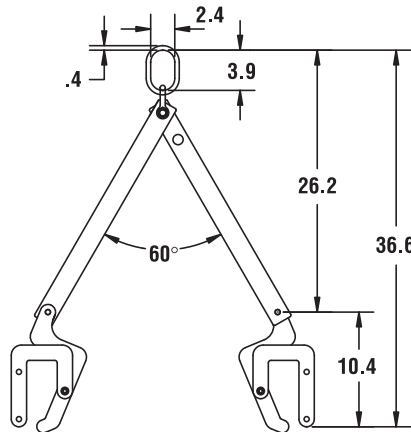


Sleeve Dimensions



PRODUCT FEATURES:

- Quick and efficient way to place cast manhole sleeves.
- Easily attaches to and releases from the load.
- 2 or 3 leg models available.
- Complies with ASME standards.



NOTE: Dimensions shown in inches.



3-Leg Model MCL-3/4

SPECIFICATIONS

Model Number	Description	Capacity (lbs.)	Wt. (lbs.)
MCL-1/2	2-Leg Version	1000	24
MCL-3/4	3-Leg version: 2-18" Legs, 1-30" Leg With Shortener	1500	26
MCL-C	Clamps Only	500	6

NOTE: Flange diameter range 12" - 30".
Not for straight walled lifts.
Consult factory for other frame configurations.

Model MML - Magnetic Manhole Lifter

Moving heavy manhole covers becomes a one-person operation, reducing the potential for injury on the job.

PRODUCT FEATURES:

- Dolly handle breaks down for easy storage.
- Use for covers or grates.
- Models available to accommodate a variety of lid sizes.

SPECIFICATIONS

Model Number	Lid Size	Weight (lbs.)
MML-26	Up To 26" Diameter	77
MML-35	30" To 35" Diameter	108
MML-36	36" Diameter & Up	106



Model MML-26 or MML-35



Model MML-36

Rig-Master® Section
2011-2013 Master Catalog

Pipe & Manhole Handling



The Caldwell Group • 800-628-4263 • www.caldwellinc.com

Model PLT - Pipe Tongs



Adjustable

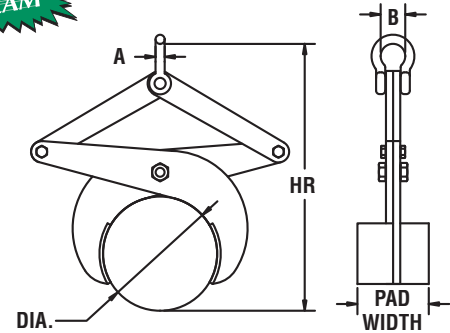
Fixed

PRODUCT FEATURES:

- Pipe Tongs are made of sturdy construction to handle pipe, round bars and cast pipe.
- Tongs are provided with steel curved gripping arms.
- Optional replaceable polyurethane pads available to protect smooth or polished surfaces.
- Load must be balanced and controlled when lifting.
- Use in pairs with a lifting/spreader beam for added stability.
- Complies with ASME standards.

SPECIFICATIONS - Fixed Diameter

Model Number	Rated Capacity (lbs.)	Dia. (in.)	HR Headroom (in.)	A (in.)	B (in.)	Weight (lbs.)
108-1/2-5	1000	5	15.50	0.5	1.31	17
108-1-8	2000	8	23.50	0.5	1.31	25



SPECIFICATIONS - Adjustable Diameter

Model Number	Rated Capacity (lbs.)	Bare Steel Range Min.-Max. (in.)	Urethane Pad Range Min.-Max. (in.)	HR Headroom Min.-Max. (in.)	Pad Width (in.)	A (in.)	B (in.)	Wt. (lbs.)
108-1/2-2/4	1000	2 - 4	1.25 - 3.25	13.46 - 11.78	2.25	0.5	1.31	7
108-1-4/8	2000	4 - 8	3.25 - 7.25	21.06 - 18.70	5	0.5	1.31	18
108-1-7/12	2000	7 - 12	6.25 - 11.25	39.71 - 34.40	6	0.88	2.28	73
108-1-10/15	2000	10 - 15	9.25 - 14.25	37 - 33.63	6	0.75	2	50

Operation



Rig-Master® Section
2011-2013 Master Catalog

Pipe & Manhole Handling



The Caldwell Group • 800-628-4263 • www.caldwellinc.com

Rig-Master® Section
2011-2013 Master Catalog

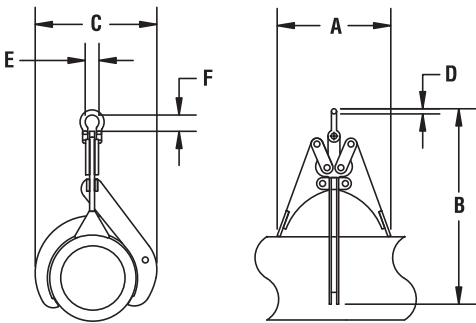
Model C & S - Pipe Grabs



IN-STOCK PROGRAM

PRODUCT FEATURES:

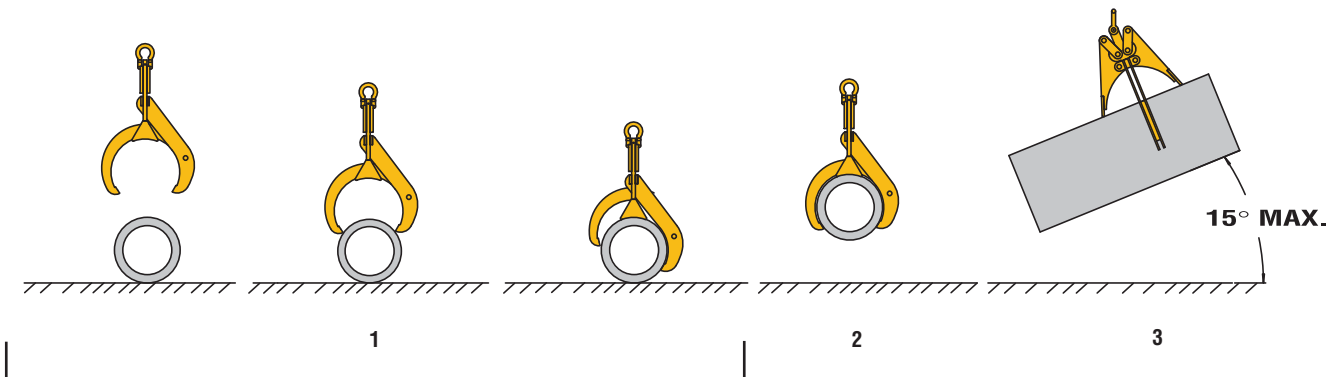
- Heavy duty automatic clamping design.
- Outriggers stabilize the pipe during lift.
- No blocking is required.
- The operator only has to guide the clamp into place.
- Pipes are handled quickly and efficiently when properly balanced.
- Excellent for cast iron, steel pipe, tubing, and other cylindrical objects.
- Pipe grab sizes listed handle ASA cast iron pipe - standard, extra strong, and double strong (all have same O.D.).
- Complies with ASME standards.



SPECIFICATIONS

Rated Capacity (lbs.)	Cast Iron		Steel		Dimensions (inches)						Weight (lbs.)
	Model Number	Pipe O.D. (in.)	Model Number	Pipe O.D. (in.)	A	B	C	D	E	F	
450	C - 3	4.0	S - 3	3.5	5	10	6	.38	1.03	1.44	7
600	C - 4	4.8	S - 4	4.5	8	14	7	.44	1.16	1.69	9
1000	C - 6	6.9	S - 6	6.63	11	17	11	.50	1.31	1.88	15
1400	C - 8	9.05	S - 8	8.63	13	22	14	.50	1.31	1.88	25
2000	C - 10	11.1	S - 10	10.75	15	27	17	.63	1.69	2.38	47
2500	C - 12	13.2	S - 12	12.75	18	32	20	.63	1.69	2.38	72
3500	C - 14	15.3	S - 14	14.0	22	38	23	.88	2.28	3.31	105

Operation



1. Lower the grab and place on pipe. As rope is loosened grab will open and seat on pipe.
2. Lift slowly with grab engaged to check for balance.
3. Load should be level when transported. Maximum of 15° angle when positioning pipe.

WARNING

The lifter shall not touch obstructions during load movement.
The load or lifter shall not be slid on the floor or other surface.

Pipe & Manhole Handling



Model PH - Pipe Hooks

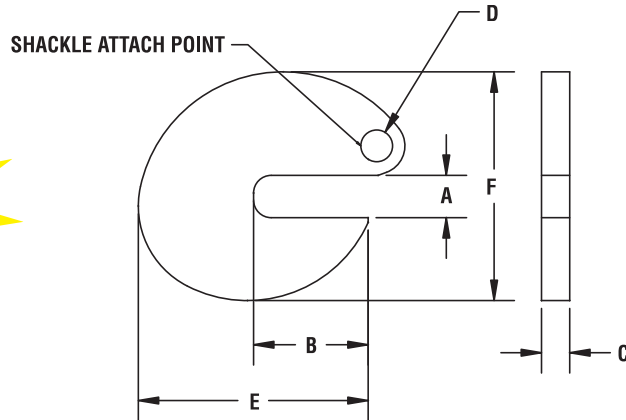


PRODUCT FEATURES:

- Designed for lifting and carrying steel or cast iron pipe.
- Complies with ASME standards.

NOTE: Rated capacity is per pair.

IN-STOCK PROGRAM

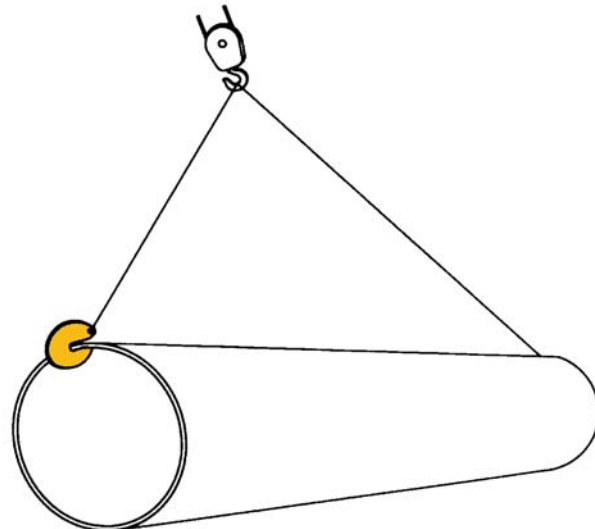
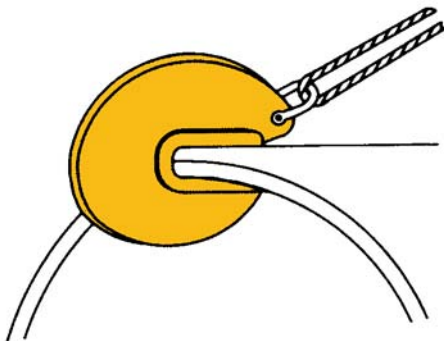


SPECIFICATIONS

Model Number Per Pair	Rated Capacity (tons) Per Pair	Shackle Pin Diameter (in.)	Bolt Type Anchor Shackle Capacity (tons)	Dimensions (inches)						Weight Per Pair (lbs.)
				A	B	C	D	E	F	
PH 1	2	5/8	2	1.50	1.84	.63	.69	3.75	5.24	7
PH 2	4	3/4	3.25	1.50	2.61	.75	.81	5.69	6.76	13
PH 4	8	1	6.5	1.50	3.86	1	1.06	7.75	7.79	23
PH 5	10	1-1/8	8.5	1.50	4.06	1.25	1.19	8.15	8.93	38
PH 7.5	15	1-3/8	12	1.50	4.06	1.75	1.44	8.15	8.93	56

Custom designed sizes available for larger capacities and other material types.

Operation



WARNING
Use only in pairs.

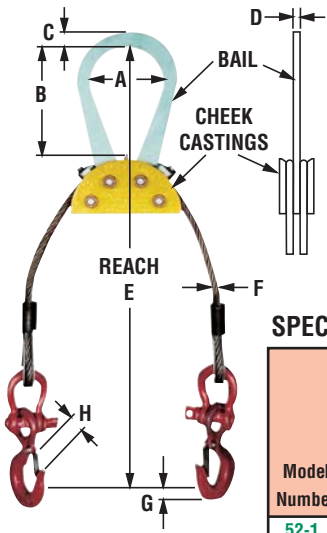
NOTE: Load must be able to support it's own weight under compression.

Load Leveling Slings



The Caldwell Group • 800-628-4263 • www.caldwellinc.com

Model AL2 - Adjust-A-Leg® Two Point Lift



IN-STOCK PROGRAM

PRODUCT FEATURES:

- Allows crane hook to be over the load's center of gravity in unbalanced or non-symmetrical two point lifts.
- Quickly adjusts to center of gravity.
- Can be locked into place for constant lifts.
- Can be used in conjunction with spreader beams.
- Ideal for use in rigging applications and machinery moving.
- Complies with ASME standards.

SPECIFICATIONS

Model Number	Rated Capacity (tons) with legs @45° off horizontal*	E Standard Reach (ft.)	F Wire Rope Diameter (inches)	Top Assembly Dimensions (inches)				Alloy Steel Hooks With Safety Latches Dimensions			Anchor Shackle Size (in.)	Weight (lbs.)
				A	B	C	D	Size (tons)	H (in.)	G (in.)		
52-1	1	3	5/16	3-1/8	5	1-1/8	5/8	1	1	3/4	3/8	7-1/2
52-2	2	4	5/16	3-1/8	5	1-1/8	5/8	1-1/2	1-1/16	27/32	1/2	20
52-4	4	6	7/16	3-1/8	5	1-1/8	5/8	3	1-1/4	1-1/8	5/8	32
52-6	6	9	9/16	5-1/4	8-3/8	1-3/4	13/16	5	1-1/2	1-3/8	3/4	76
52-8	8	9	5/8	5-1/4	8-3/8	1-3/4	7/8	7	1-7/8	1-7/8	7/8	90
52-12	12	9	3/4	5-5/8	8-3/4	2-3/8	1-1/16	11	2-1/4	2-1/8	1-1/8	152
52-15	15	9	7/8	5-5/8	8-3/4	2-3/8	1-1/16	11	2-1/4	2-1/8	1-1/4	175
52-15L	15	9	7/8	9	15	2-1/2	1-1/16	11	2-1/4	2-1/8	1-1/4	188
52-22	22	9	1-1/8	9	15	3-1/2	1-1/2	NO HOOKS FURNISHED			1-1/2	350
52-28	28	9	1-1/4	9	15	3-1/2	1-3/4	NO HOOKS FURNISHED			1-3/4	385
52-36	36	9	1-1/2	9	15	3-1/2	2	NO HOOKS FURNISHED			2	450
52-50	50	9	1-3/4	9	15	3-1/2	2-1/4	NO HOOKS FURNISHED			2	525
52-62	62	12	2	9	15	6-1/4	3	NO HOOKS FURNISHED			2-1/2	1200
52-75	75	15	2-1/4	9	15	6-1/4	4	NO HOOKS FURNISHED			3	1500

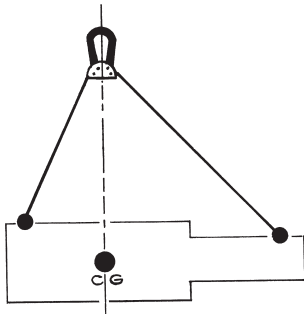
NOTE: Reach calculation — approximately 70% distance between pick up points.

*Unit must be loaded with at least 10% of rated capacity.

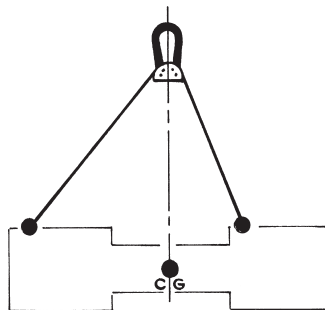
Patent No. 2,919,949

Operation

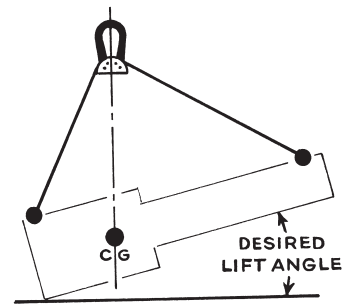
Many ways to use Model AL2 Adjust-A-Leg® Two Point Lifts



For loads that are heavier on one end, with the center of gravity off-center.



For loads that are balanced and symmetrical, but with lifting points not located in a position for a level lift.



For lifting loads at any desired angle, simply by lifting with sling legs at desired angle.

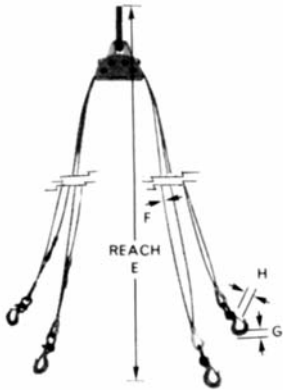
Load Leveling Slings



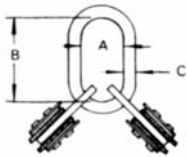
Model AL4 - Adjust-A-Leg® Four Point Lift

PRODUCT FEATURES:

- Allows crane hook to be over the center of gravity in unbalanced or non-symmetrical four point lifts.
- Quickly adjusts to center of gravity.
- Can be locked into place for constant lifts.
- Can be used in conjunction with box type spreader beams.
- Ideal for use in rigging applications and machinery moving.
- Complies with ASME standards.



Patent No. 2,919,949



SPECIFICATIONS

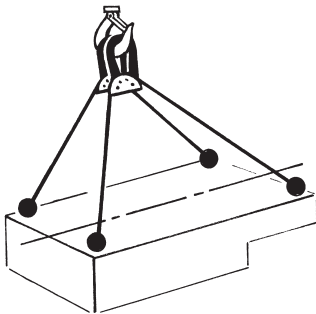
Model Number	Rated Capacity (tons) with legs @45° off horizontal*	E Standard Reach (ft.)	F Wire Rope Diameter (in.)	Top Assembly Dimensions (inches)			Alloy Steel Hooks With Safety Latches Dimensions			Anchor Shackle Size (in.)	Weight (lbs.)
				A	B	C	Size (tons)	H (in.)	G (in.)		
54-2	2	4	5/16	3	6	5/8	1 1/2	1 1/16	27/32	1/2	18
54-4	4	6	5/16	3 1/2	7	1	1 1/2	1 1/16	27/32	5/8	45
54-8	8	9	7/16	3 1/2	7	1	5	1 1/2	1 3/8	5/8	70
54-12	12	9	9/16	4 3/8	8 3/4	1 1/4	7	1 7/8	1 11/16	1 1/8	170
54-16	16	9	5/8	5 1/2	10 1/2	1 1/2	7	1 7/8	1 11/16	1 1/8	210
54-24	24	9	3/4	6	12	1 3/4	11	2 1/4	2 1/8	1 1/4	345
54-30	30	9	7/8	7	14	2	NO HOOKS FURNISHED			1 1/4	410
54-44	44	9	1 1/8	7	14	2	NO HOOKS FURNISHED			1 3/4	770
54-56	56	9	1 1/4	8	16	2 1/2	NO HOOKS FURNISHED			1 3/4	850
54-72	72	12	1 1/2	9 1/2	16	2 3/4	NO HOOKS FURNISHED			2	980
54-100	100	15	1 3/4	10	20	3 1/4	NO HOOKS FURNISHED			2	1180
54-150	150	20	2 1/4	14	22	4 1/2	NO HOOKS FURNISHED			3	3600

NOTE: Reach calculation — approximately 70% distance between pick up points (diagonally).

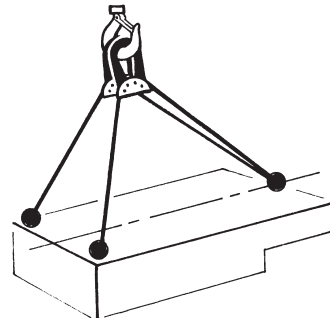
*Unit must be loaded with at least 10% of rated capacity.

Operation

Many ways to use Model AL4 Adjust-A-Leg® Four Point Lifts



To achieve balance in one plane and stability in another in a four point lift.



To achieve balance in one plane and stability in another in a three point lift.

Load Leveling Slings



The Caldwell Group • 800-628-4263 • www.caldwellinc.com

Model CSS - Chain Sling Saddle Rings

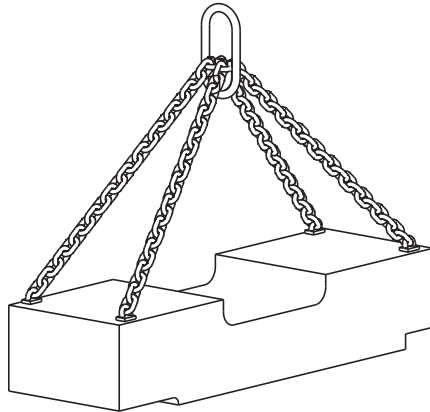
PRODUCT FEATURES:

- Allows unbalanced loads to be lifted evenly.
- Allows full adjustment of sling length.
- Rated for up to Grade 100 Chain.
- Can use many different chain lengths with only one chain sling saddle ring.
- Can be used with various chain sling end fittings.
- Economical and easy to use.

Double Leg (DL)



Shown with optional chain sling.



Quadruple Leg Shown



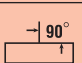






How to order:
Double Leg - CSS-9/32 DL
Quadruple Leg - CSS-9/32 QL

Quadruple Leg (QL)

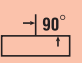




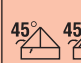



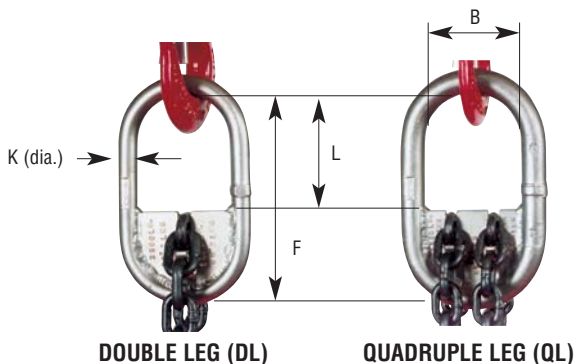
Shown with optional chain sling.

SPECIFICATIONS - Grade 80 Chain

Model Number	Chain Size (inches)	Overall Ring Height (inches)	Capacity (lbs.) For Grade 80 Chain								Weight (lbs.)	
			Single Leg	Double Leg Loading			Quadruple Leg Loading					
										DL	QL	
CSS-9/32	9/32	6	3500	6100	4900	3500	9100	7400	5200	2	4	
CSS-3/8	3/8	7.50	7100	12300	10000	7100	18400	15100	10600	4	8	
CSS-1/2	1/2	10	12000	20800	17000	12000	31200	25500	18000	9	11	

SPECIFICATIONS - Grade 100 Chain

Model Number	Chain Size (inches)	Overall Ring Height (inches)	Capacity (lbs.) For Grade 100 Chain								Weight (lbs.)	
			Single Leg	Double Leg Loading			Quadruple Leg Loading					
										DL	QL	
CSS-9/32	9/32	6	4300	7400	6100	4300	11200	9100	6450	2	4	
CSS-3/8	3/8	7.50	8800	15200	12400	8800	22800	18600	13200	4	8	
CSS-1/2	1/2	10	15000	26000	21200	15000	39000	31800	22500	9	11	



DOUBLE LEG (DL)

QUADRUPLE LEG (QL)

Patent No. 4,241,575

SPECIFICATIONS

Model Number	Style	Dimensions (in.)			
		B	F	K	L
CSS-9/32	DL	2-5/8	5-5/8	37/64	3
	QL	3-1/8	6-3/4	13/16	3-3/4
CSS-3/8	DL	3	6-3/4	13/16	3-1/2
	QL	4	9-1/4	1-1/8	5-9/32
CSS-1/2	DL	4	9-1/4	1-1/8	4-1/2
	QL	4	9-1/8	1-1/4	4-1/2



Load Leveling Slings



The Caldwell Group • 800-628-4263 • www.caldwellinc.com

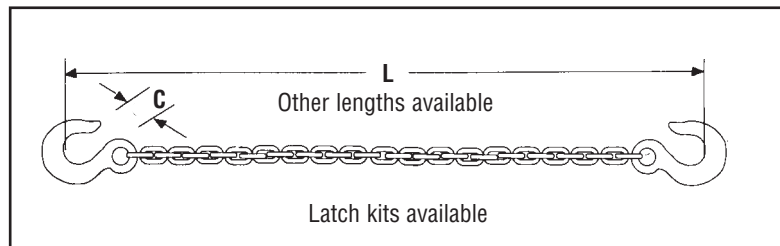
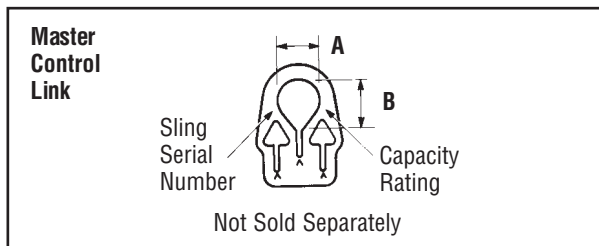
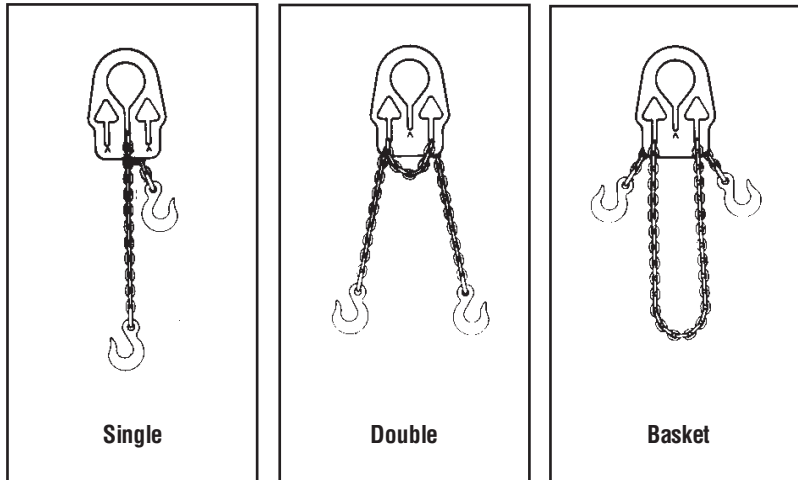
Rig-Master® Section
2011-2013 Master Catalog

Adjust-A-Link



PRODUCT FEATURES:

- Versatile assembly does many jobs.
- Easily adjustable to accommodate a wide range of applications.
- Heat-treated alloy steel construction.
- Powder coating of Master Control Link helps prevent rust.
- Plate is permanently stamped with capacity and serial number.



SPECIFICATIONS

Model Number	Rated Cap. (lbs.)		Chain Size (in.)	Dimensions (in.)				Weight (lbs.)
	Single @ 90°	Double @ 60°		A	B	C	L	
CAAL-7/32-6 CAAL-7/32-10	2700	4700	7/32	2-3/16	2-11/16	15/16	6 10	5 7
CAAL-9/32-6 CAAL-9/32-10	4300	7400	9/32	2-7/8	3-1/2	1-1/16	6 10	8 11
CAAL-3/8-10 CAAL-3/8-14	8800	15200	3/8	3-3/4	4-5/8	1-9/16	10 14	19 25
CAAL-1/2-10 CAAL-1/2-14	12000	20800	1/2	4-3/8	4-3/8	2	10 14	42 52

Never substitute another chain or exceed the rated capacity. The load bearing chain must be seated at the base of adjusting slot of the Master Control Link. The Alloy Chain and Master Control Link shall not be used separately for general purpose lifting.

7/32, 9/32, and 3/8 Master Control Links use Grade 100 Chain.

1/2" Master Control Link uses Grade 80 Chain.



Bent Bar Products



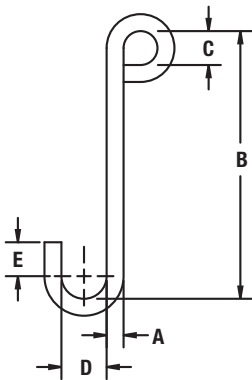
The Caldwell Group • 800-628-4263 • www.caldwellinc.com

Rig-Master® Section
2011-2013 Master Catalog

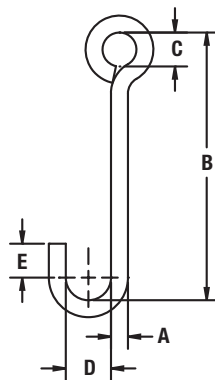
Model AJH / BJH / CJH - J-Hooks

PRODUCT FEATURES:

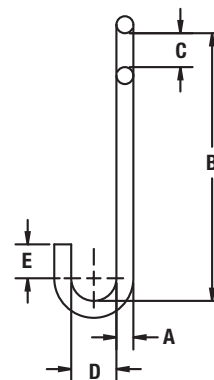
- Welded lifting eye.
- Heat Treated.
- Proof tested to 2:1 with certificate issued.
- Shot-blast finish with rust inhibitor.
- Serial number and capacity engraved on product.
- Custom designs available.



Style A



Style B



Style C

SPECIFICATIONS

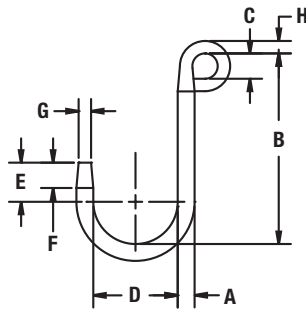
Style A Model Number	Style B Model Number	Style C Model Number	Working Load Limit (lbs.)	Dimensions (inches)					Weight (lbs.)
				A	B	C	D	E	
AJH-2-031	BJH-2-031	CJH-2-031	250	0.31	5	0.75	1.25	0.25	0.3
AJH-3-038	BJH-3-038	CJH-3-038	350	0.38	6	0.75	1.50	0.38	0.4
AJH-6-050	BJH-6-050	CJH-6-050	650	0.50	8	0.75	2.00	0.50	1.0
AJH-8-063	BJH-8-063	CJH-8-063	850	0.63	9	1.00	2.50	0.63	1.6
AJH-12-075	BJH-12-075	CJH-12-075	1200	0.75	10	1.00	3.00	0.75	2.6
AJH-15-088	BJH-15-088	CJH-15-088	1500	0.88	12	1.00	3.50	0.88	4.0
AJH-20-100	BJH-20-100	CJH-20-100	2000	1.00	14	1.25	4.00	1.00	6.2
AJH-22-113	BJH-22-113	CJH-22-113	2250	1.13	15	1.25	4.50	1.12	8.5
AJH-27-125	BJH-27-125	CJH-27-125	2750	1.25	16	1.50	5.00	1.25	12
AJH-30-138	BJH-30-138	CJH-30-138	3000	1.38	17	1.50	5.50	1.38	15
AJH-35-150	BJH-35-150	CJH-35-150	3500	1.50	18	2.00	6.00	1.50	20
AJH-40-175	BJH-40-175	CJH-40-175	4000	1.75	20	2.50	7.00	1.75	31
AJH-50-200	BJH-50-200	CJH-50-200	5000	2.00	24	3.00	8.00	2.00	53

Bent Bar Products



The Caldwell Group • 800-628-4263 • www.caldwellinc.com

Model FH - Foundry Hook



PRODUCT FEATURES:

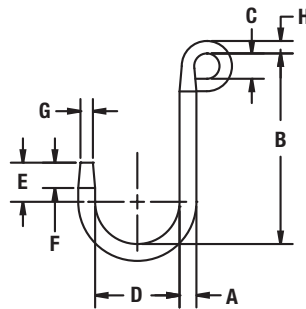
- Welded lifting eye.
- Heat Treated.
- Proof tested to 2:1 with certificate issued.
- Shot-blast finish with rust inhibitor.
- Serial number and capacity engraved on product.
- Custom designs available.

SPECIFICATIONS

Model Number	Working Load Limit (lbs.)	Dimensions (inches)								Weight (lbs.)
		A	B	C	D	E	F	G	H	
FH-5-050	500	0.50	6.00	0.75	2.50	0.75	0.71	0.25	0.50	1
FH-8-063	800	0.63	8.50	0.75	3.50	1.50	0.89	0.31	0.50	2
FH-13-075	1,300	0.75	8.50	0.75	3.50	1.50	1.06	0.38	0.50	2.6
FH-16-088	1,600	0.88	8.50	0.88	3.50	1.50	1.06	0.50	0.75	3.5
FH-25-100	2,500	1.00	8.50	1.00	4.00	1.75	1.42	0.50	0.75	5
FH-35-113	3,500	1.13	8.50	1.00	4.00	2.00	1.60	0.56	0.75	6.5
FH-45-125	4,500	1.25	8.50	1.25	4.00	2.00	1.77	0.63	1.00	8.8
FH-60-150	6,000	1.50	8.50	1.25	5.00	2.50	2.13	0.75	1.00	14



Model FHS - Short Foundry Hook



PRODUCT FEATURES:

- Shorter reach.
- Welded lifting eye.
- Heat Treated.
- Proof tested to 2:1 with certificate issued.
- Shot-blast finish with rust inhibitor.
- Serial number and capacity engraved on product.
- Custom designs available.

SPECIFICATIONS

Model Number	Working Load Limit (lbs.)	Dimensions (inches)								Weight (lbs.)
		A	B	C	D	E	F	G	H	
FHS-4-050	450	0.50	6	0.75	3	0.75	0.71	0.25	0.50	1
FHS-9-063	900	0.63	6	0.75	3	1.50	0.89	0.31	0.50	1.5
FHS-14-075	1,400	0.75	6	0.75	3	1.50	1.06	0.38	0.50	2.2
FHS-20-088	2,000	0.88	6	0.88	3	1.50	1.06	0.50	0.75	3.0
FHS-30-100	3,000	1.00	6	1.00	3	1.75	1.42	0.50	0.75	4.2
FHS-40-113	4,000	1.13	6	1.00	3	2.00	1.60	0.56	0.75	5.5
FHS-55-125	5,500	1.25	6	1.25	3	2.00	1.77	0.63	1.00	7



Rig-Master® Section
2011-2013 Master Catalog

Bent Bar Products



The Caldwell Group • 800-628-4263 • www.caldwellinc.com

Model SH - S-Hook

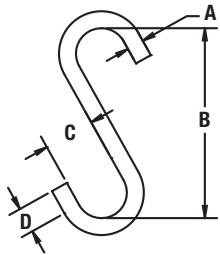


PRODUCT FEATURES:

- Heat Treated.
- Proof tested to 2:1 with certificate issued.
- Shot-blast finish with rust inhibitor.
- Serial number and capacity engraved on product.
- Custom designs available.

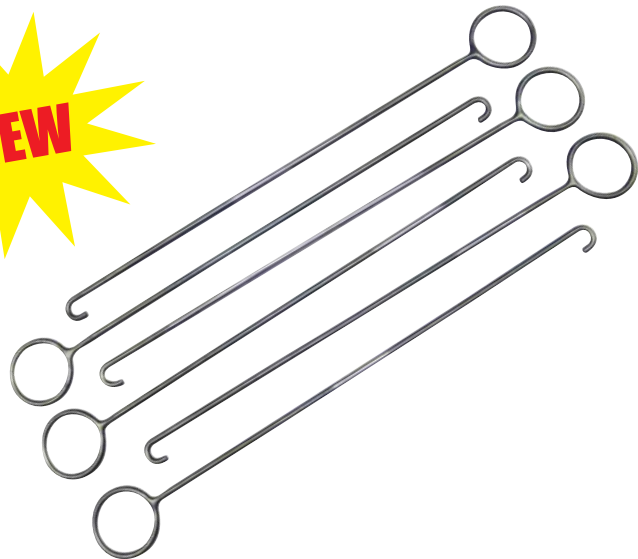
SPECIFICATIONS

Model Number	Working Load Limit (lbs.)	Dimensions (inches)				Weight (lbs.)
		A	B	C	D	
SH-3-031	325	0.31	2.75	0.75	0.38	0.2
SH-4-038	425	0.38	4.13	1.13	0.56	0.3
SH-7-050	775	0.50	5.50	1.50	0.75	0.7
SH-12-063	1,225	0.63	7.00	1.88	0.94	1.3
SH-17-075	1,750	0.75	8.25	2.25	1.13	2.2
SH-24-088	2,400	0.88	9.50	2.63	1.31	3.6
SH-30-100	3,000	1.00	11.00	3.00	1.50	5.3
SH-49-125	4,900	1.25	13.75	3.75	1.88	11
SH-70-150	7,000	1.50	16.50	4.50	2.25	18
SH-96-175	9,600	1.75	19.25	5.25	2.63	29
SH-125-200	12,500	2.00	22.00	6.00	3.00	42
SH-157-225	15,750	2.25	24.00	6.75	3.38	59
SH-195-250	19,500	2.50	27.50	7.50	3.75	83
SH-235-275	23,500	2.75	30.50	8.25	4.13	110



Special Applications

In addition to the standard Bent Bar Products Caldwell offers, we also have the ability to design and manufacture custom hooks, rings, links or other products from bar stock up to 2-3/4" material.



3/4" diameter L-Hooks with 6-1/4" reach, special 6" foot on hook, handle on the back, and a 250 pound working load limit at a specific angle.

3/8" diameter J-Hooks with an oversized eye, 30" long, and a 200 pound working load limit.

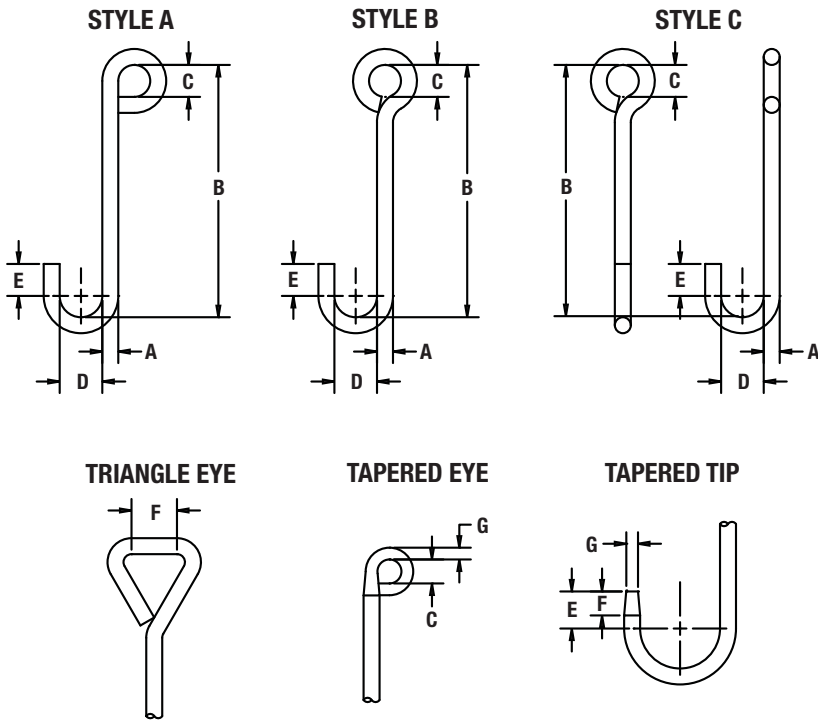
Custom Hook Application Evaluation



The Caldwell Group • 800-628-4263 • www.caldwellinc.com

Rig-Master® Section
 2011-2013 Master Catalog

J-HOOK / FOUNDRY HOOK INFORMATION:



Style Required: _____

Working Load Limit: _____

A: _____

B: _____

C: _____

D: _____

E: _____

Triangle Eye Option

F: _____

Tapered Eye Option

C: _____

G: _____

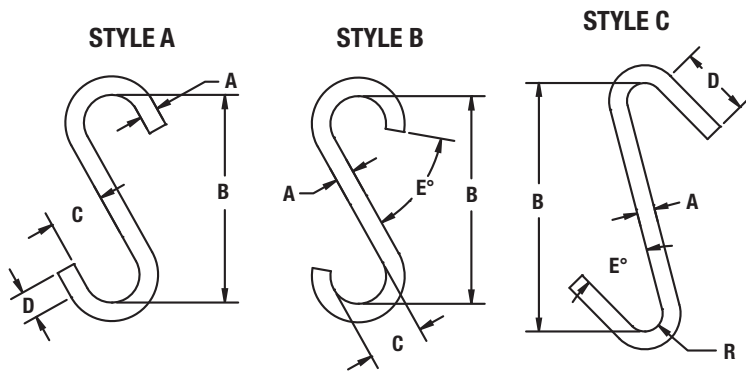
Tapered Tip Option

E: _____

F: _____

G: _____

S-HOOK INFORMATION:



Style Required: _____

Working Load Limit: _____

A: _____

B: _____

C: _____

D: _____

E: _____

R: _____

Contact: _____

Company: _____

Address: _____

City, State, Zip: _____

Phone: _____

Fax: _____

Email: _____

For a price quote on your specific application,
 please complete the above form and fax to
 The Caldwell Group at **815-229-5686**
 or you can complete this form online at
www.caldwellinc.com/applications.

Stirrup Hook Application Evaluation

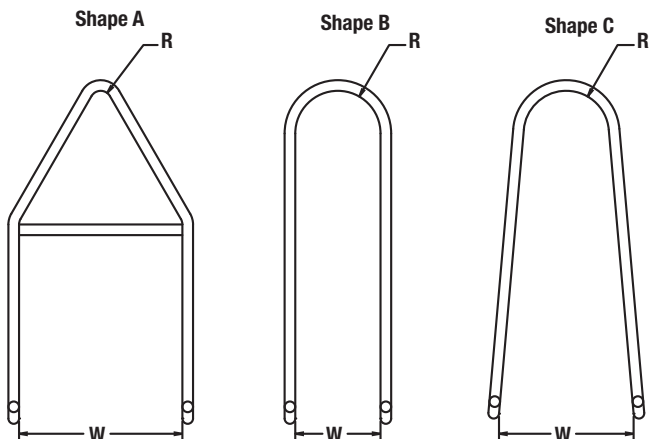


The Caldwell Group • 800-628-4263 • www.caldwellinc.com

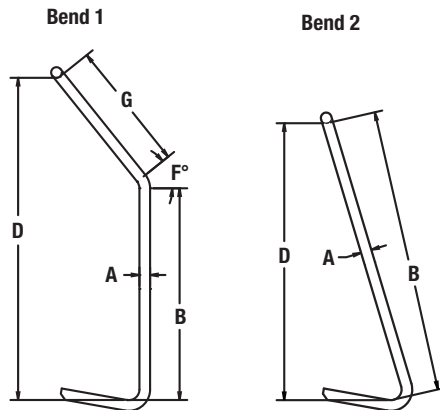
Rig-Master® Section
2011-2013 Master Catalog

STIRRUP HOOK INFORMATION:

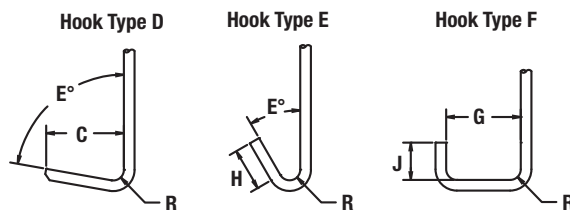
Choose Shape Type



Choose Bend Type



Choose Hook Type



Working Load Limit: _____

Shape Type: A B C

R: _____

W: _____

Bend Type: 1 2

A: _____

B: _____

D: _____

F: _____

G: _____

Hook Type: D E F

C: _____

E: _____

G: _____

H: _____

J: _____

R: _____

Contact: _____

Company: _____

Address: _____

City, State, Zip: _____

Phone: _____

Fax: _____

Email: _____

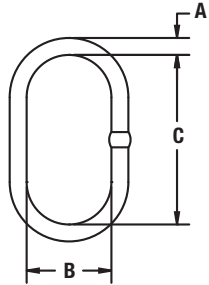
For a price quote on your specific application,
please complete the above form and fax to
The Caldwell Group at **815-229-5686**
or you can complete this form online at
www.caldwellinc.com/applications.

Bent Bar Products



The Caldwell Group • 800-628-4263 • www.caldwellinc.com

Model MLO - Master Link



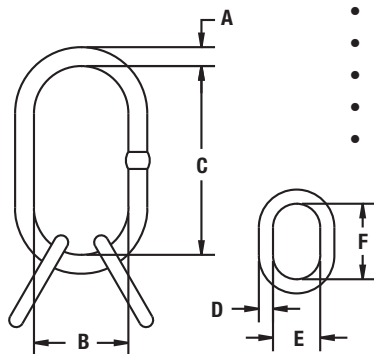
PRODUCT FEATURES:

- Welded construction.
- Heat Treated.
- Proof tested to 2:1 with certificate issued.
- Shot-blast finish with rust inhibitor.
- Serial number and capacity engraved on product.
- Custom designs available.

SPECIFICATIONS

Model Number	Working Load Limit (lbs.)	Dimensions (inches)			Weight (lbs.)
		A	B	C	
MLO-36-041	3,600	0.41	1.50	3.00	1
MLO-50-050	5,000	0.50	2.50	5.00	1.3
MLO-61-063	6,100	0.63	3.00	6.00	1.8
MLO-150-075	15,000	0.75	2.75	5.50	2.0
MLO-225-100	22,500	1.00	3.50	7.00	6.1
MLO-325-125	32,500	1.25	4.38	8.75	12
MLO-490-150	49,000	1.50	5.25	10.50	19
MLO-735-175	73,500	1.75	6.00	12.00	26
MLO-889-200	88,900	2.00	7.00	14.00	37
MLO-1252-225	125,200	2.25	8.00	16.00	55
MLO-1473-250	147,300	2.50	8.00	16.00	69
MLO-1878-275	187,800	2.75	9.00	16.00	94

Model MLS - Sub-Assembly



PRODUCT FEATURES:

- Welded construction.
- Heat Treated.
- Proof tested to 2:1 with certificate issued.
- Shot-blast finish with rust inhibitor.
- Serial number and capacity engraved on product.
- Custom designs available.

SPECIFICATIONS

Model Number	Working Load Limit (lbs.)	Dimensions (inches)						Chain Size	Weight (lbs.)
		A	B	C	D	E	F		
MLS-132-075/050	13,200	0.75	2.75	5.50	0.50	1.25	2.00	0.28	4
MLS-225-100/075	22,500	1.00	3.50	7.00	0.75	1.50	3.00	0.38	10
MLS-325-125/100	32,500	1.25	4.38	8.75	1.00	2.00	4.00	0.50	16
MLS-490-150/125	49,000	1.50	5.25	10.50	1.25	3.00	5.25	0.63	35
MLS-735-175/150	73,500	1.75	6.00	12.00	1.50	3.25	5.75	0.75	48
MLS-889-200/175	88,900	2.00	7.00	14.00	1.75	4.00	6.00	0.88	68
MLS-1252-225/188	125,200	2.25	8.00	16.00	1.88	4.00	7.00	1.00	132
MLS-1878-275/225	187,800	2.75	9.00	16.00	2.25	4.50	8.00	1.25	196

Rig-Master® Section
2011-2013 Master Catalog

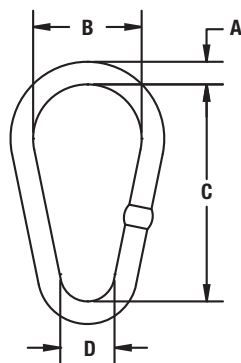
Bent Bar Products



The Caldwell Group • 800-628-4263 • www.caldwellinc.com

Rig-Master® Section
2011-2013 Master Catalog

Model MLP - Pear Link



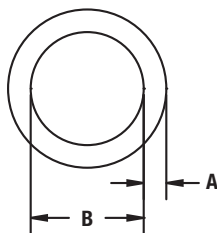
PRODUCT FEATURES:

- Welded construction.
- Heat Treated.
- Proof tested to 2:1 with certificate issued.
- Shot-blast finish with rust inhibitor.
- Serial number and capacity engraved on product.
- Custom designs available.

SPECIFICATIONS

Model Number	Working Load Limit (lbs.)	Dimensions (inches)				Weight (lbs.)
		A	B	C	D	
MLP-41-050	4,100	0.50	3	6.00	1.50	1
MLP-66-063	6,600	0.63	3	6.00	1.50	1.5
MLP-132-075	13,200	0.75	3	6.00	1.75	2.2
MLP-225-100	22,500	1.00	4	8.00	2.50	5.3
MLP-325-125	32,500	1.25	6	9.00	3.00	10
MLP-490-150	49,000	1.50	7	10.50	5.50	17
MLP-735-175	73,500	1.75	7	12.00	4.00	24
MLP-889-200	88,900	2.00	7	14.00	4.00	35

Model MLR - Round Link



PRODUCT FEATURES:

- Welded construction.
- Heat Treated.
- Proof tested to 2:1 with certificate issued.
- Shot-blast finish with rust inhibitor.
- Serial number and capacity engraved on product.
- Custom designs available.

SPECIFICATIONS

Model Number	Working Load Limit (lbs.)	Dimensions (inches)		Weight (lbs.)
		A	B	
MLR-43-050	4,300	0.50	2.50	.6
MPR-56-063	5,600	0.63	3.00	1
MLR-86-075	8,600	0.75	4.00	2
MLR-132-088	13,200	0.88	4.00	2.7
MLR-190-100	19,000	1.00	4.00	3.6
MLR-240-125	24,000	1.25	5.00	7
MLR-370-150	37,000	1.50	6.00	12
MLR-490-175	49,000	1.75	7.00	19
MLR-600-200	60,000	2.00	8.00	29

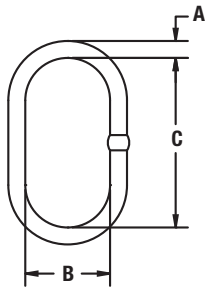
Custom Lifting Eye Application Evaluation



The Caldwell Group • 800-628-4263 • www.caldwellinc.com

Rig-Master® Section
2011-2013 Master Catalog

OBLONG INFORMATION:



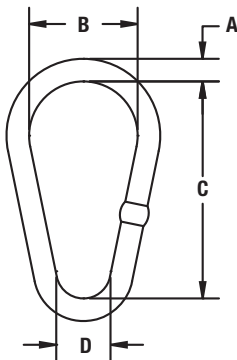
Working Load Limit: _____

A: _____

B: _____

C: _____

PEAR LINK INFORMATION:



Working Load Limit: _____

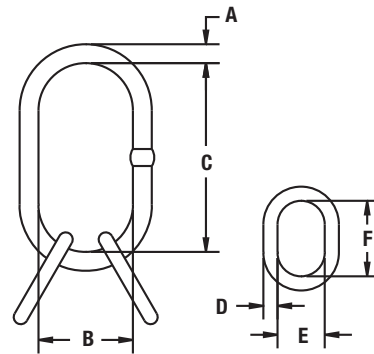
A: _____

B: _____

C: _____

D: _____

SUB-ASSEMBLY INFORMATION:



Working Load Limit: _____

A: _____

B: _____

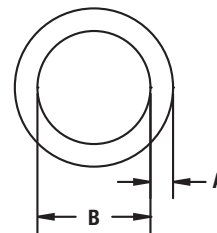
C: _____

D: _____

E: _____

F: _____

ROUND RING INFORMATION:



Working Load Limit: _____

A: _____

B: _____

Contact: _____

Company: _____

Address: _____

City, State, Zip: _____

Phone: _____

Fax: _____

Email: _____

For a price quote on your specific application, please complete the above form and fax to The Caldwell Group at **815-229-5686** or you can complete this form online at www.caldwellinc.com/applications.

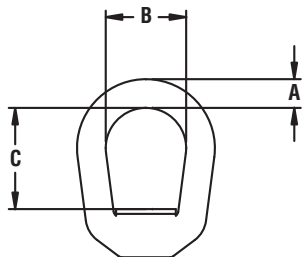
Lifting Magnets



The Caldwell Group • 800-628-4263 • www.caldwellinc.com

Rig-Master® Section
2011-2013 Master Catalog

Model RELM - Round Electric Lift Magnets



PRODUCT FEATURES:

- For use on flat material only.
- 115 volts AC required.
- On, off, and release functions are recessed to protect against accidental operation.
- Easy to use.
- Complies with ASME standards.

SPECIFICATIONS

Model Number	Lift Capacity (lbs.) Plate	Watts	Unit Diameter (in.)	Overall Height (in.)	Bail Opening (in.)			Weight (lbs.)
					A	B	C	
RELM06	1200	33	6-3/8	11-1/2	3/4	2	2-1/2	50
RELM08	2500	51	8-3/8	12-7/8	3/4	2-1/4	2-7/8	75
RELM12	6000	149	12-1/4	15-1/4	7/8	2-1/2	3-3/8	210
RELM16	9000	260	16-3/4	15-1/2	7/8	2-1/2	3-1/2	300
RELM20	13000	260	20	14-1/8	1	3-1/8	4	615

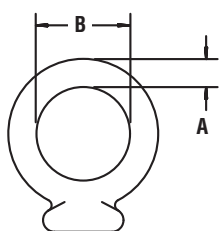
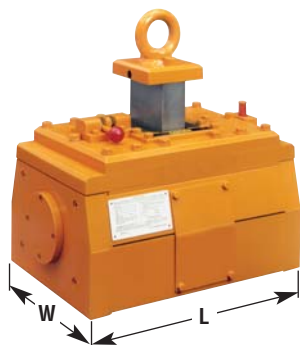
NOTE: RELM's are not intended to be used as scrap handling magnets.

WARNING

All capacities are based on lifting clean, smooth, flat low-carbon steel plate with the full area of the magnet's lifting surface in contact with the load. Derating is required for plates or other loads with rust or scale. Do not use on material thinner than 1/4".

NOTE: When lifting 4' x 8' sheets or any sheets over 4' x 8', use 2 or more magnets on a spreader bar to prevent sheet flexing, sagging, or peel-off. Material less than 3/8" thick is susceptible to magnet bleed through, resulting in two sheets lifted at once.

Model APL - Automatic Lift/Release Magnets



PRODUCT FEATURES:

- For use on flat material only.
- Hands-free operation ideal for areas with limited access.
- Completely self contained.
- Automatic on/off occurs as you raise and lower the unit, no manual activation required.
- Permanent magnets holding power not affected by power outages or battery life.
- Complies with ASME standards.

Unit shown at maximum overall height

SPECIFICATIONS

Model Number	Lift Capacity Plate (lbs.)	Length (in.)	Width (in.)	Overall Height (in.)		Bail Opening (in.)		Weight (lbs.)
				Minimum	Maximum	A	B	
APL-150	900	10-5/16	9-9/16	13-3/8	16-5/8	3/4	2	154
APL-152	1,650	11-3/4	13-15/16	16-15/16	21-1/2	13/16	1-7/8	343
APL-154	3,600	18-3/16	13-15/16	17-5/8	22-1/8	1	2-3/8	585
APL-156	5,800	24	13-15/16	17-5/8	22-1/8	1	2-3/8	717

WARNING

All capacities are based on lifting clean, smooth, flat low-carbon steel plate with the full area of the magnet's lifting surface in contact with the load. Derating is required for plates or other loads with rust or scale. Do not use on material thinner than 1/4".

NOTE: When lifting 4' x 8' sheets or any sheets over 4' x 8', use 2 or more magnets on a spreader bar to prevent sheet flexing, sagging, or peel-off. Material less than 3/8" thick is susceptible to magnet bleed through, resulting in two sheets lifted at once.

Lifting Magnets

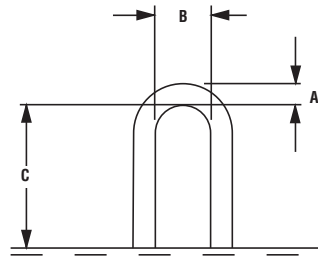


Model PNL - Permanent Lifting Magnets



PRODUCT FEATURES:

- On/off rare earth design.
- For use on flat or round material.
- Completely self contained.
- Permanent magnets holding power not affected by power outages or battery life.
- Complies with ASME standards.



SPECIFICATIONS

Model Number	Lift Capacity (lbs.)		Magnet (in.)		Overall Height (in.)	Bail Opening (in.)			Handle Length (in.)	Weight (lbs.)
	Plate	Round	Length	Width		A	B	C		
PNL0250	250	125	3-5/8	2-5/8	6-5/8	3/16	1-1/2	1-3/8	5-7/8	7
PNL0800	800	400	6-3/8	3-5/8	8-7/8	1/2	1-3/4	2-3/8	6-7/8	22
PNL1600	1600	800	9-1/8	4-7/8	8-7/8	5/8	2-1/4	3-1/2	6-3/4	53
PNL2500	2500	1250	10-5/8	7-1/8	8-7/8	3/4	3-3/4	4-3/4	10-1/8	110
PNL5000	5000	2500	14-7/8	9-1/4	18	7/8	4-3/4	6	16-3/4	276

LIFTING VALUE & MAXIMUM SHEET LENGTH FOR SPECIFIED MATERIAL THICKNESS

Model Number	Sheet Thickness - Capacity (lbs.) / Length (ft.)													
	1/4"		3/8"		1/2"		3/4"		1"		2"		3"	
	Cap.	Length	Cap.	Length	Cap.	Length	Cap.	Length	Cap.	Length	Cap.	Length	Cap.	Length
PNL0250	180	6'	250	8'	250	8'	250	8'	250	10'	250	10'	250	10'
PNL0800	270	6'	500	8'	615	8'	800	8'	800	10'	800	10'	800	10'
PNL1600	-	-	-	-	800	8'	1600	8'	1600	10'	1600	10'	1600	10'
PNL2500	-	-	-	-	-	-	-	-	1490	10'	2500	10'	2500	10'
PNL5000	-	-	-	-	-	-	-	-	-	-	2625	10'	5000	10'

NOTE: Max sheet length due to sag for material thickness for single magnet use.

WARNING

All capacities are based on lifting clean, smooth, flat low-carbon steel plate with the full area of the magnet's lifting surface in contact with the load. Derating is required for plates or other loads with rust or scale. Do not use on material thinner than 1/4".

NOTE: We recommend when lifting sheets over 8', use 2 or more lifts on a lifting or spreader beam to prevent sheet flexing, sagging or peel-off. Thin material is susceptible to magnetic bleed through, resulting in two sheets being lifted at once.

Lifting Magnets



The Caldwell Group • 800-628-4263 • www.caldwellinc.com

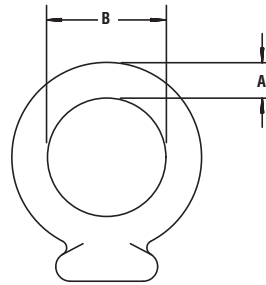
Rig-Master® Section
2011-2013 Master Catalog

Model CLM - Constant Lifting Magnets



PRODUCT FEATURES:

- Permanent magnet is always on.
- For use on flat material only.
- Permanent magnets holding power not affected by power outages or battery life.
- Non-marring roller cam release.
- Complies with ASME standards.



SPECIFICATIONS

Model Number	Lift Capacity (lbs.) Plate	Magnet (in.)		Bail Opening (in.)		Handle Length (in.)	Weight (lbs.)
		Length	Width	A	B		
CL0400	400	6	3-1/2	5/8	1-5/16	9-1/4	12
CL1000	1000	8-11/16	5	5/8	1-5/16	9-1/4	28
CL1500	1500	10-1/2	7	5/8	1-5/16	20	42
CL3000	3000	15-3/4	10	5/8	1-5/16	20	105

HOLDING VALUE & MAXIMUM SHEET SIZE FOR SPECIFIED MATERIAL THICKNESS

Model Number	Sheet Thickness - Capacity (lbs.) / Size (ft.)													
	3/16"		1/4"		3/8"		1/2"		3/4"		1"		2"	
	Cap.	Size	Cap.	Size	Cap.	Size	Cap.	Size	Cap.	Size	Cap.	Size	Cap.	Size
CL0400	185	4 x 6	325	4 x 8	400	4 x 6.5	400	4 x 5	400	4 x 3	400	3 x 3	400	2 x 2.5
CL1000	185	4 x 6	325	4 x 8	495	4 x 8	655	4 x 8	1000	4 x 8	1000	4 x 6	1000	4 x 3
CL1500	185	4 x 6	325	4 x 8	495	4 x 8	655	4 x 8	1000	4 x 8	1500	5 x 7	1500	4 x 4.5
CL3000	185	4 x 6	325	4 x 8	495	4 x 8	655	4 x 8	1000	4 x 8	2042	5 x 10	3000	4 x 9

WARNING

All capacities are based on lifting clean, smooth, flat low-carbon steel plate with the full area of the magnet's lifting surface in contact with the load. Derating is required for plates or other loads with rust or scale. Do not use on material thinner than 1/4".

NOTE: When lifting 4' x 8' sheets or any sheets over 4' x 8', use 2 or more magnets on a spreader bar to prevent sheet flexing, sagging, or peel-off. Material less than 3/8" thick is susceptible to magnet bleed through, resulting in two sheets lifted at once.

Lifting & Spreader Beams



The Caldwell Group • 800-628-4263 • www.caldwellinc.com

Rig-Master® Section
2011-2013 Master Catalog

Model 14 - Modular Spreader Beam



PRODUCT FEATURES:

- Beam length extends from 10' to 22'.
- Capacities in 1 and 2 ton.
- Lightweight.
- Faspin with lanyard allows for quick adjustment of spread in 1' increments.
- Hair pin cotter top rigging attachment.
- Complies with ASME standards.

Kit Includes:



One Outer Tube



Two Inner Tubes



One Short Tube

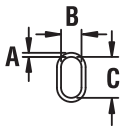


SPECIFICATIONS

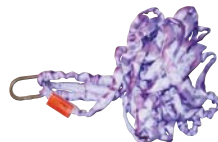
Model Number	Capacity (tons)	Spread (ft.) Min./Max.	Dimensions (inches)						Weight (lbs.)
			HR Headroom		Lifting Eye			O-Hook Opening With Latch	
			at Min. Spread	at Max. Spread	A	B	C		
14-1-10/22	1	10 / 22	135.6	150.7	0.5	2.5	5	0.97	195
14-2-10/22	2	10 / 22	135.6	150.7	0.75	3	6	0.97	275

OPTION R

Recommended Optional Top Rigging is two (2) double leg bridle round slings, each of different lengths, to be used in various beam configurations. Minimum rigging angle 45°, see Instruction Manual for details. (add "R" to model number ie: 14R-1-10/22)



Lifting Eye Dimensions



Top Rigging - 1 ton



Top Rigging - 2 ton

Other Top Rigging Options (Not INSTOCK, consult factory for delivery information)

OPTION C

Chain top rigging from beam to crane hook.
(Add "C" to model number)

OPTION W

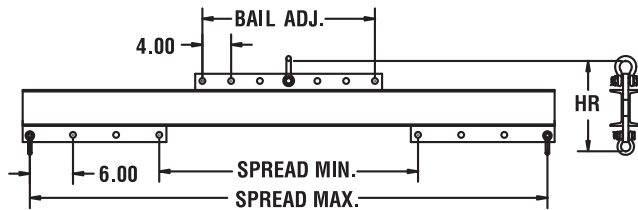
Wire rope top rigging from beam to crane hook.
(Add "W" to model number)

Lifting & Spreader Beams



The Caldwell Group • 800-628-4263 • www.caldwellinc.com

Model 16 - Adjustable Spreader/Lifting Beam



PRODUCT FEATURES:

- Adjustable lifting points.
- Handles both wide and unbalanced loads.
- Low headroom capability.
- Shackles included.
- Add chain top rigging for additional stability.
- Optional swivel hooks available.
- Optional chain top rigging available.
- Complies with ASME standards.

PRODUCT OPTIONS:

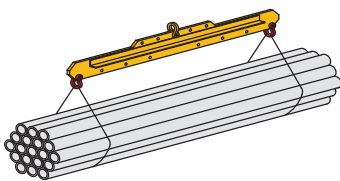
- **OPTION S** - Pair of swivel hooks
 - **OPTION C** - Chain top rigging
 - **OPTION B1** - One cross beam*
 - **OPTION B2** - Two cross beams*
- * Specify spreads



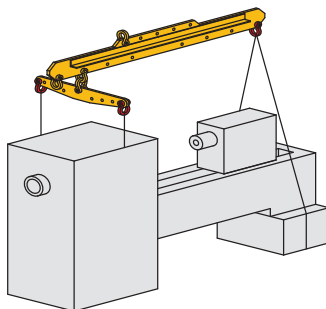
SPECIFICATIONS

Model Number	Rated Capacity (tons)	Spread (in.)		Bail Adjustment (in.)	HR Headroom (in.)	Bolt Type Anchor Shackle (tons)		Weight (lbs.)
		Max.	Min.			Top	Bottom	
16-1/4-4	1/4	48	12	16	7.13	1.5	1.5	40
16-1/2-4	1/2	48	12	16	7.13	1.5	1.5	40
16-1/2-6	1/2	72	36	24	10.00	1.5	1.5	100
16-1/2-8	1/2	96	48	32	10.00	1.5	1.5	135
16-1/2-10	1/2	120	60	40	10.00	1.5	1.5	145
16-1-6	1	72	36	24	10.00	1.5	1.5	100
16-1-8	1	96	48	32	11.00	1.5	1.5	140
16-1-10	1	120	60	40	11.00	1.5	1.5	175
16-2-6	2	72	36	24	12.50	3.25	2	130
16-2-8	2	96	48	32	13.50	3.25	2	200
16-2-10	2	120	60	40	14.50	3.25	2	280
16-4-8	4	96	48	32	16.75	4.75	4.75	290
16-4-10	4	120	60	40	18.75	4.75	4.75	420
16-4-12	4	144	72	48	18.75	4.75	4.75	500
16-5-8	5	96	48	32	18.75	6.5	4.75	320
16-5-10	5	120	60	40	20.25	6.5	4.75	465
16-5-12	5	144	72	48	20.25	6.5	4.75	550
16-7-12	7	144	72	48	23.75	8.5	6.5	790

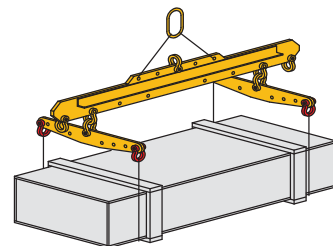
Operation



Standard
2 Point Lift



Custom
3 Point Lift



Custom
4 Point Lift

Lifting & Spreader Beams

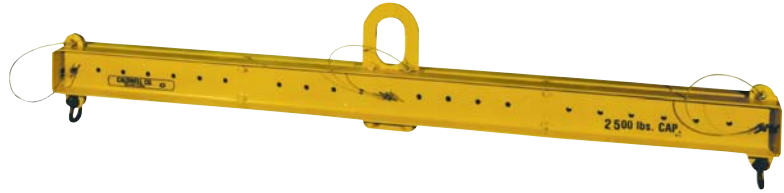


The Caldwell Group • 800-628-4263 • www.caldwellinc.com

Model 17 - Adjustable Lifting Beam

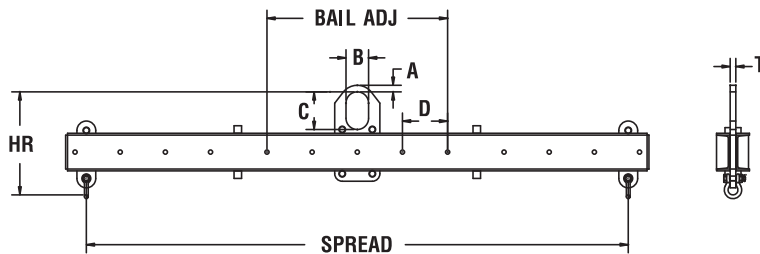
PRODUCT FEATURES:

- Bail adjusts horizontally for lifting unbalanced loads.
- Provides clearance in low headroom applications.
- Spread adjusts in 6" increments along lifting beam.
- Shackles included.
- Optional swivel hooks available.
- Complies with ASME standards.



PRODUCT OPTIONS:

- **OPTION S** - Pair of swivel hooks

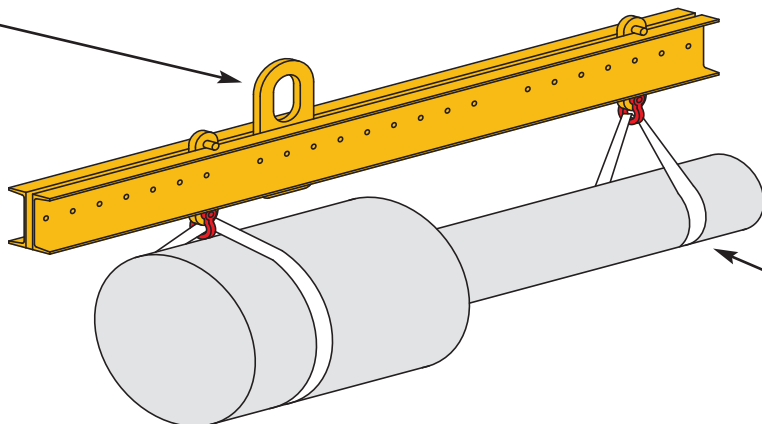


SPECIFICATIONS

Model Number	Rated Capacity (tons)	Spread (in.)		Bail Adjustment		HR Headroom (in.)	Shackle Size (tons)	Bail Dimensions (in.)				Weight (lbs.)
		Max.	Min.	Range (in.)	D (in.)			A	B	C	T	
17-1 1/4-6	1-1/4	72	36	24	3	14.7	2	1 1/2	3	5	5/8	150
17-2-6	2	72	36	24	3	14.7	2	1 1/2	3	5	5/8	155
17-4-8	4	96	54	36	6	19.8	3 1/4	2	4	7	3/4	285
17-5-10	5	120	60	36	6	22.4	4 3/4	2	4	7	1	475

Operation

BAIL ADJUSTED FOR UNBALANCED LOAD



LIFT POINTS ADJUSTED FOR LOAD LENGTH

Rig-Master® Section
2011-2013 Master Catalog

Lifting & Spreader Beams



The Caldwell Group • 800-628-4263 • www.caldwellinc.com

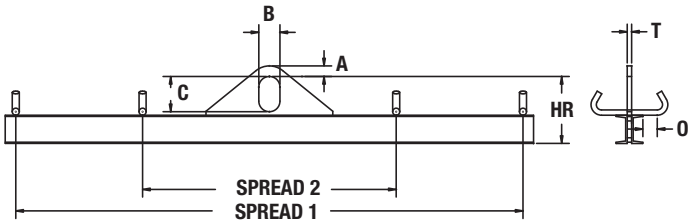
Rig-Master® Section
2011-2013 Master Catalog

Model 18 - Fixed Twin Basket Sling Lifting Beam



PRODUCT FEATURES:

- Designed to be used with slings in a basket hitch.
- Provides greatest clearance in low headroom applications.
- Two sets of bent bar hooks are standard on units with a spread of 6' and greater.
- Spread 2 is 1/2 of spread 1.
- Hooks are designed to handle up to a 2" sling eye width.
- Complies with ASME standards.

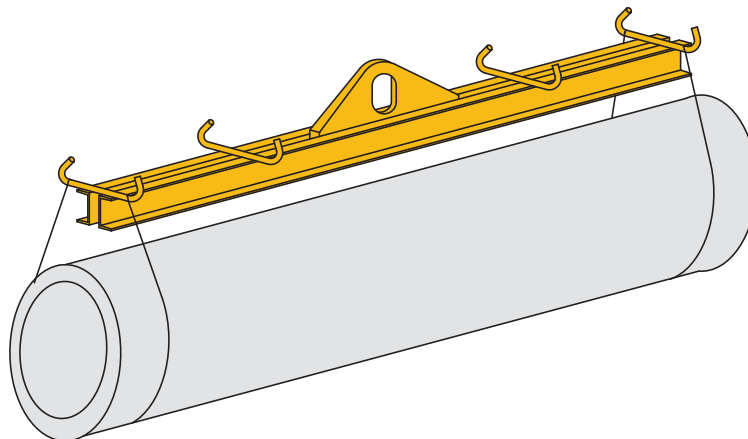


SPECIFICATIONS

Capacity (tons)	Model Number HR Headroom (in.) Weight (lbs.)	Spread (feet)						Other Dimensions (in.)
		3*	4*	6	8	10	12	
1/2	Model Number	18-1/2-3	18-1/2-4	18-1/2-6	18-1/2-8	18-1/2-10	18-1/2-12	A=7/8 T=3/4
	HR Headroom	8-1/2	8-1/2	8-1/2	8-1/2	8-1/2	9-1/2	B=3 O=2
	Weight	40	48	78	95	113	171	C=5
1	Model Number	18-1-3	18-1-4	18-1-6	18-1-8	18-1-10	18-1-12	A=7/8 T=3/4
	HR Headroom	8-1/2	8-1/2	9-1/2	10-1/2	10-1/2	11-1/2	B=3 O=2
	Weight	40	48	93	136	175	239	C=5
2	Model Number	18-2-3	18-2-4	18-2-6	18-2-8	18-2-10	18-2-12	A=7/8 T=3/4
	HR Headroom	9-1/2	10-1/2	10-1/2	11-1/2	12-1/2	13-1/2	B=3 O=2
	Weight	52	75	139	169	246	326	C=5
5	Model Number	18-5-3	18-5-4	18-5-6	18-5-8	18-5-10	18-5-12	A=2 T=1-1/4
	HR Headroom	13-1/2	14-1/2	15-1/2	16-1/2	17-1/2	19-1/2	B=4 O=2
	Weight	104	135	211	310	423	618	C=7
7 1/2	Model Number	18-7 1/2-3	18-7 1/2-4	18-7 1/2-6	18-7 1/2-8			A=2 T=1-1/4
	HR Headroom	12	14	15	17			B=4 O=2
	Weight	125	185	315	475			C=7

* 3' and 4' beams are provided with one set of bent bar hooks.

Operation



Lifting & Spreader Beams



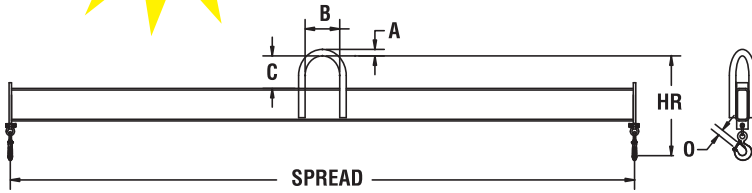
The Caldwell Group • 800-628-4263 • www.caldwellinc.com

Rig-Master® Section
2011-2013 Master Catalog

Model 19 - Fixed Spread Lifting Beam



NEW SIZES



PRODUCT FEATURES:

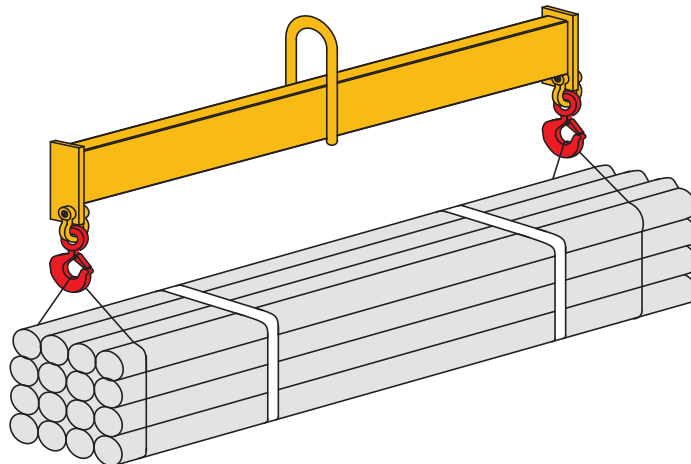
- Provides clearance in low headroom applications.
- Eye hooks with hook latches standard.
- Fixed spread.
- Complies with ASME standards.

QUICKSHIP PROGRAM

SPECIFICATIONS

Model Number HR Headroom (in.) Weight (lbs.)	Spread (feet)						Other Dimensions (in.)	
	2	3	4	6	8	10		
Model Number	19-1/2-2	19-1/2-3	19-1/2-4	19-1/2-6	19-1/2-8	19-1/2-10	A=.75	O=.89
HR Headroom	13.31	13.31	13.31	13.31	14.31	14.31	B=3	
Weight	20	26	33	48	75	93	C=5	
Model Number	19-1-2	19-1-3	19-1-4	19-1-6	19-1-8	19-1-10	A=1	O=.89
HR Headroom	14.31	14.31	14.31	15.31	15.31	16.31	B=6	
Weight	26	35	44	72	93	131	C=5	
Model Number		19-2-3	19-2-4	19-2-6	19-2-8	19-2-10	A=1	O=1
HR Headroom		16.75	16.75	19.75	19.75	19.75	B=6	
Weight		45	55	108	140	188	C=5	
Model Number		19-3-3	19-3-4	19-3-6	19-3-8	19-3-10	A=1.5	O=1
HR Headroom		18.00	20.00	20.00	20.00	20.00	B=6	
Weight		58	87	118	222	272	C=5	

Operation



Lifting & Spreader Beams



The Caldwell Group • 800-628-4263 • www.caldwellinc.com

Rig-Master® Section
2011-2013 Master Catalog

Model BEF - Spreader Beam End Fittings



Shown full assembled with customer supplied rigging and bar.

PRODUCT FEATURES:

- Build your own spreader beam.
- Designed to work with a range of shackle sizes, both top and bottom.
- Complies with ASME standards when assembled to specifications using A53 Grade B, schedule 40 pipe.



SPECIFICATIONS

Model No. Spread (ft.)	Capacity (tons)																		Weight (lbs.) Per Pair	
	4	5	6	8	10	12	14	15	16	18	20	22	24	26	28	30	32	34		36
BEF-2-1/2	7.5	7	6.5	5.5	4	2.9	2	1.8	-	-	-	-	-	-	-	-	-	-	-	16
BEF-5	17	17	17	17	17	16	15	14	13	12	10	8	7	6	5	4.5	-	-	-	46
BEF-8	39	39	39	39	39	38	36	36	35	33	31	29	27	25	23	21	19	16	15	266

NOTE: Capacity based on minimum 45° top rigging angle.
Other sizes available, consult factory.

Assembly Information

The Caldwell Model BEF is designed to use A53 Grade B, schedule 40 pipe as the central structural element between the end fittings. This structural material is readily available at most steel service centers. The Caldwell Model BEF-2 1/2 requires a 2-1/2" nominal size, the Model BEF-5 requires a 5" nominal size, and the BEF-8 requires an 8" nominal size A53 Grade B, schedule 40 pipe.

Other requirements are:

- The length of pipe used for this central element must be straight within 1/4" end to end.
- The pipe should have the ends cleanly cut square with its centerline.
- The A53 Grade B, schedule 40 pipe should not have any weld joint irregularities.
- Each end of the A53 Grade B, schedule 40 pipe must have the correct diameter holes drilled through both walls and both ends must be in line.
- The A53 Grade B, schedule 40 pipe used in this application does not need to pass any pressure testing.

The retaining bolts used to secure the Caldwell Model BEF 2-1/2 and 5 to the A53 Grade B, schedule 40 pipe must be a Grade 5 Hex Head Cap Screw 5/8-11 with minimum length of 4-1/2" and 8" respectively. The bolt for the BEF-8 is a Grade 5 Hex Head Cap Screw 1-8 with a minimum length of 11-1/2".

NOTE: Complete assembly instructions are provided with each set of end fittings.

Lifting & Spreader Beams



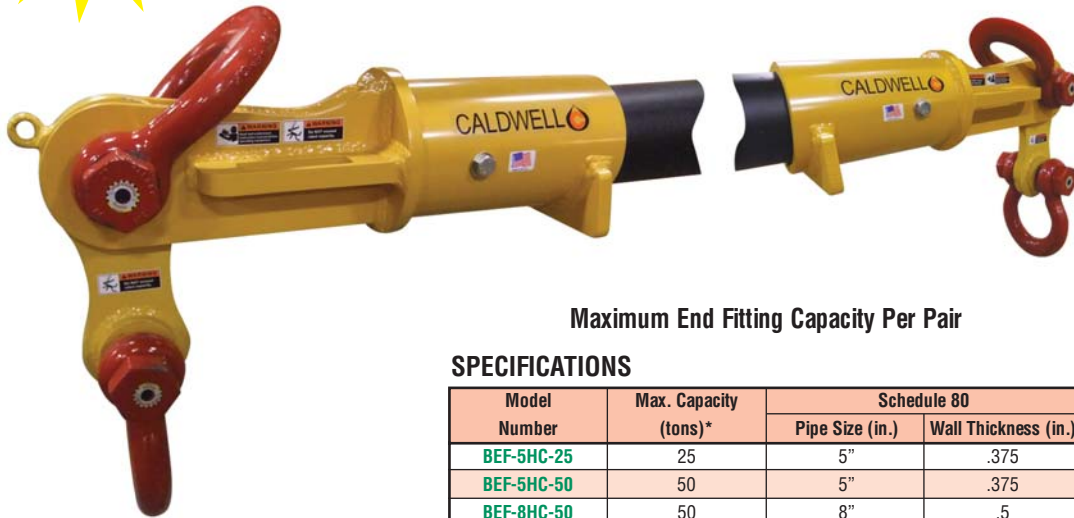
Model HC-BEF - High Capacity Beam End Fitting

The same end fittings that build our high capacity spreader beams are available as end fittings only. This allows you to stock one or several sizes of end fittings; work with a local steel supplier to provide cut to length schedule 80 pipe; drill accordingly; and add the required top rigging. Now you can respond to your customers needs with a quickly built, ASME compliant spreader beam.



PRODUCT FEATURES:

- Build your own spreader beam.
- Fittings only are available in 2 business days.
- Pivoting lower lugs allow for 75° to 90° lower rigging angle.
- Complies with ASME standards when assembled to specifications using designated pipe and rigging.



Maximum End Fitting Capacity Per Pair

SPECIFICATIONS

Model Number	Max. Capacity (tons)*	Schedule 80	
		Pipe Size (in.)	Wall Thickness (in.)
BEF-5HC-25	25	5"	.375
BEF-5HC-50	50	5"	.375
BEF-8HC-50	50	8"	.5
BEF-8HC-80	80	8"	.5
BEF-12HC-80	80	12"	.687
BEF-12HC-110	110	12"	.687
BEF-12HC-130	130	12"	.687

* System capacity is determined by span, rigging, and hardware, consult factory for complete details.



Assembly Information

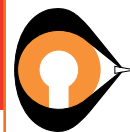
The Caldwell Model HC-BEF is designed to use A53 Grade B, schedule 80 pipe as the central structural element between the end fittings. This structural material is readily available at most steel service centers. See the above chart for the nominal A53 Grade B, schedule 80 pipe size required.

Other requirements are:

- The length of pipe used for this central element must be straight within 1/4" end to end.
- The pipe should have the ends cleanly cut square with its centerline.
- The A53 Grade B, schedule 80 pipe should not have any weld joint irregularities.
- Each end of the A53 Grade B, schedule 80 pipe must have the correct diameter holes drilled through both walls and both ends must be in line.
- The A53 Grade B, schedule 80 pipe used in this application does not need to pass any pressure testing.

Assembly pins are provided with the end fittings. The pins provided are only to be used to fasten the High Capacity Beam End Fitting (HC-BEF) to the properly sized A53 Grade B, schedule 80 pipe.

NOTE: Complete assembly instructions are provided with each set of end fittings.

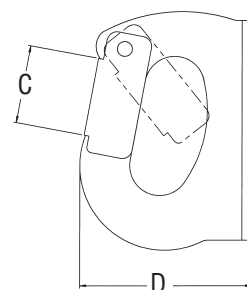


Model WBH - Weld On Bucket Hook



PRODUCT FEATURES:

- Latch prevents accidental unhooking of load.
- Latch is resistant to dirt, concrete, and ice.
- Stainless steel latch spring.
- Hook can be welded on without preheating.



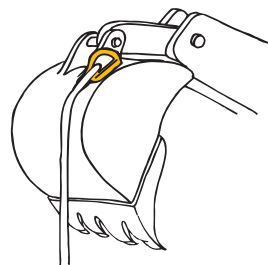
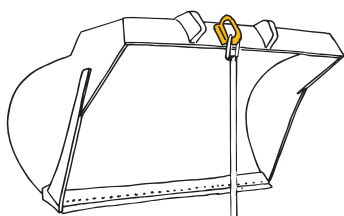
SPECIFICATIONS

Model Number	Rated Capacity (lbs.)	Dimensions (in.)				Weight (lbs.)
		A	B	C	D	
BH-U1	2200	4-1/8	1	7/8	3	2
BH-U2	4400	4-7/8	1-1/4	1-1/8	3-3/8	3
BH-U3	6600	5-3/4	1-3/8	1-1/4	4	5
BH-U4	8800	6	1-3/8	1-1/4	4-1/4	5
BH-U6	13200	8-1/8	1-5/8	1-3/4	5	9
BH-U8	17600	8-1/2	2	1-3/4	5-1/2	12

NOTE: Not rated for below the hook lifting.

Applications

For use with any excavating equipment with bucket.



Welding Instructions

- Before welding, surface must be thoroughly cleaned and prepared.
- Electrode is AWS/ASTM E7018-1, ISO E51 5 B120 20H.
- The base plate must be welded evenly all around (no gaps).
- Base plate is mild steel.
- Welding is to be done by a qualified welder.
- Instructions given by electrode manufacturer must be followed.

Special Applications



The Caldwell Group • 800-628-4263 • www.caldwellinc.com

Model COF - Clamp-On Bucket Forks

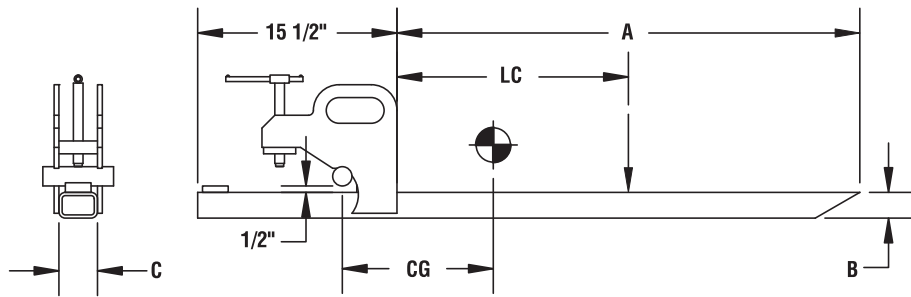
Turn your loader into a fork lift. Easy to attach, simply place the lip of the bucket in the slot, tighten the bolt, and lift—there is nothing to weld. Sturdy flame-cut handles make installation and removal fast and easy. The Caldwell Bucket Forks store easily and are very cost effective.



QUICKSHIP PROGRAM

PRODUCT FEATURES:

- Easily attaches to almost any solid blade bucket.*
- Sturdy construction.
- Open fork design.



SPECIFICATIONS

Model Number (Pair)	Capacity Per Pair (lbs.)	Dimensions (in.)					Weight Per Pair (lbs.)
		LC	A	B	C	CG	
COF-.95	1900	18	36	2	3	9-1/16	120
COF-1.25	2500	21	42	2	4	12-1/4	160
COF-2.75	5500	24	48	3	5	16-3/8	240
COF-4.5	9000	24	48	3	4	17-9/16	500
COF-5.5	11000	24	48	3	5	17-3/4	620

NOTE: Blade tip must be less than 1/2" thick at the tip for proper attachment.
Will not work on buckets with teeth.
Other sizes available, please consult factory.

Operation



Rig-Master® Section
2011-2013 Master Catalog

Special Applications



The Caldwell Group • 800-628-4263 • www.caldwellinc.com

Model LL - "Corky" Container Lifting Lug

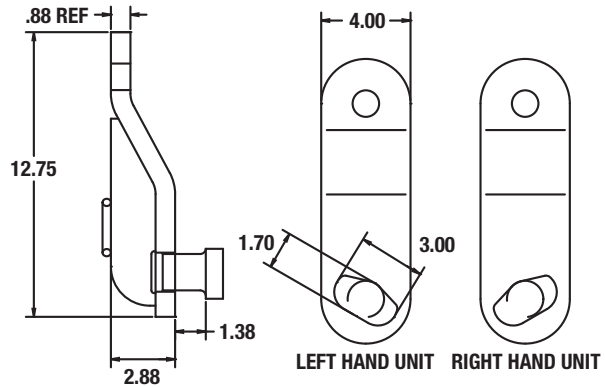


Patent No. 4,541,662

PRODUCT FEATURES:

- An efficient way to lift containers from bottom lifting slot.
- Handle indicator shows lug is engaged for lift.
- Complies to use with ASME B30.9 sling capacities.

OPTION S - 8 1/2 ton shackle

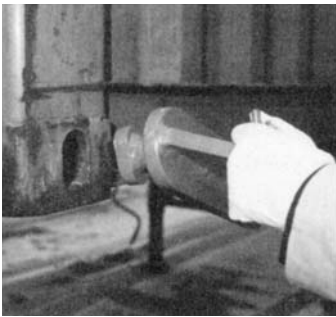


SPECIFICATIONS

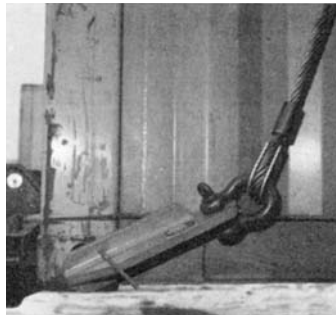
Model Number	Rated Capacity Each (tons)	Weight (lbs.)
LL	8 1/2	17

NOTE: Specify complete set of 4 (2R & 2L) or individual pieces by L (left) or R (right).

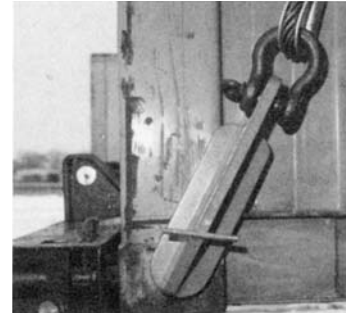
Operation



Align "Corky" Hook with cargo container lift fitting.

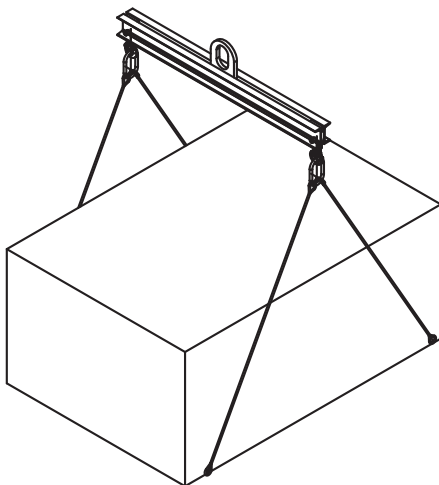


Insert "Corky" Hook into the lift fitting slot.



Apply tension to the choker cable. Indicator shows lug in locked position.

Container Lifting Assemblies with "Corky" Hooks



Representative of configuration only.

Model CLS - Standard Wire Rope

Use in lifts where the load center is positioned in the center of the container.

Model Number	Use With
CLS-20	20-ft. container
CLS-40	40-ft. container

Model CLS - Adjust-A-Leg®

Use in lifts where the load center is positioned away from the center of the container.

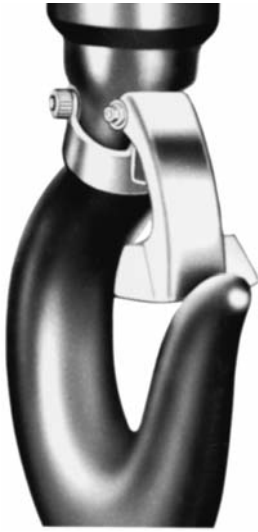
Model Number	Use With
CLS-24	20-ft. container
CLS-44	40-ft. container

Special Applications



The Caldwell Group • 800-628-4263 • www.caldwellinc.com

Model A through O - Universal Hook Latch



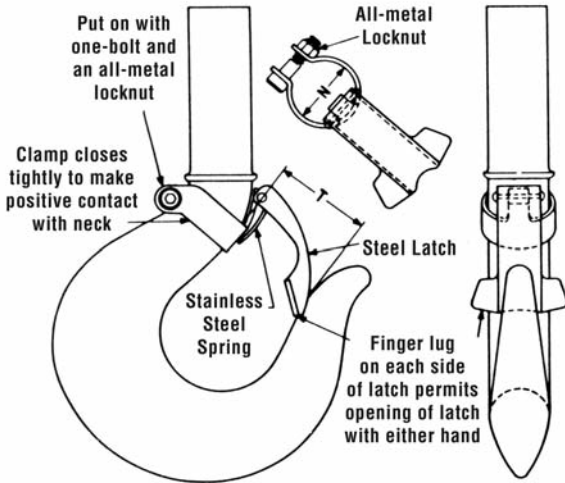
IN-STOCK PROGRAM

PRODUCT FEATURES:

- Keeps fingers out of danger zones.
- Keeps load on bottom hook when load is slack.
- Keeps top hook on ring, hook, or trolley.
- Can be installed on any hook in minutes with only simple tools.
- Meets requirements: Sect. 1910.181 (a) (29) OSHA.

SPECIFICATIONS

Model Number	Hook Dimensions (in.)	
	Neck (N)	Throat (T)
A	9/16 to 5/8	1 1/16 to 1 1/8
B	3/4 to 13/16	1-1/4
C	7/8 to 1	1-3/8 to 1-1/2
D	1-1/8 to 1-1/4	1-3/4 to 1-7/8
E	1-3/8 to 1-1/2	2-1/16
F	1-5/8 to 1-11/16	2-1/4
G	1-3/4 to 1-13/16	2-1/2
H	1-7/8 to 2	3
J	2-1/16 to 2-1/8	3-3/8
K	2-3/16 to 2-1/4	3-1/2
L	2-5/16 to 2-3/8	3-3/4
M	2-7/16 to 2-3/4	4
O	3 to 3-1/4	4-1/2



Operation



Rig-Master® Section
2011-2013 Master Catalog

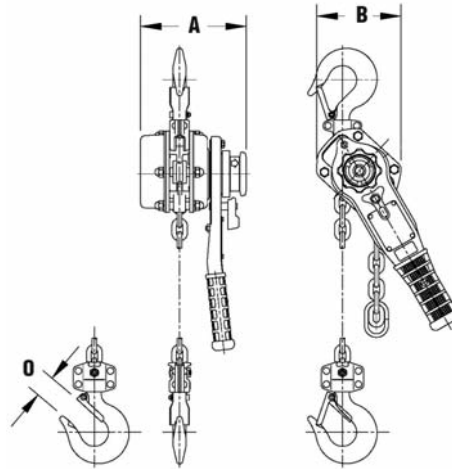


Model LHHL - Heavy Duty Lever Hoist



PRODUCT FEATURES:

- Rugged, all steel construction.
- Machined and heat treated, split load double reduction gears.
- Totally enclosed brake mechanism.
- Short handle allows for easy operation, even in those hard to reach areas.



SPECIFICATIONS

Model Number	Capacity (lbs.)	Lift (ft.)	Force Lift (lbs.)	Dimensions (inches)			Weight (lbs.)
				A	B	O	
LHHL-.75-5	1500	5	54	5.7	4.7	0.93	13
LHHL-.75-10	1500	10	54	5.7	4.7	0.93	16
LHHL-.75-15	1500	15	54	5.7	4.7	0.93	18
LHHL-.75-20	1500	20	54	5.7	4.7	0.93	24
LHHL-1-5	2000	5	72	5.7	4.7	1.14	14
LHHL-1-10	2000	10	72	5.7	4.7	1.14	17
LHHL-1-15	2000	15	72	5.7	4.7	1.14	19
LHHL-1-20	2000	20	72	5.7	4.7	1.14	22
LHHL-1.5-5	2500	5	64	6.3	5	1.26	18
LHHL-1.5-10	2500	10	64	6.3	5	1.26	22
LHHL-1.5-15	2500	15	64	6.3	5	1.26	25
LHHL-1.5-20	2500	20	64	6.3	5	1.26	29
LHHL-2-5	4000	5	59	6.8	5.9	1.44	26
LHHL-2-10	4000	10	59	6.8	5.9	1.44	32
LHHL-2-15	4000	15	59	6.8	5.9	1.44	37
LHHL-2-20	4000	20	59	6.8	5.9	1.44	43
LHHL-2.75-5	5500	5	81	6.8	5.9	1.44	26
LHHL-2.75-10	5500	10	81	6.8	5.9	1.44	32
LHHL-2.75-15	5500	15	81	6.8	5.9	1.44	37
LHHL-2.75-20	5500	20	81	6.8	5.9	1.44	43
LHHL-3-5	6000	5	69	7.5	6.3	1.54	35
LHHL-3-10	6000	10	69	7.5	6.3	1.54	43
LHHL-3-15	6000	15	69	7.5	6.3	1.54	50
LHHL-3-20	6000	20	69	7.5	6.3	1.54	58
LHHL-6-5	12000	5	72	7.5	8.5	1.97	60
LHHL-6-10	12000	10	72	7.5	8.5	1.97	76
LHHL-6-15	12000	15	72	7.5	8.5	1.97	92
LHHL-6-20	12000	20	72	7.5	8.5	1.97	108
LHHL-9-5	18000	5	78	7.5	12	2.85	93
LHHL-9-10	18000	10	78	7.5	12	2.85	117
LHHL-9-15	18000	15	78	7.5	12	2.85	140
LHHL-9-20	18000	20	78	7.5	12	2.85	164

Synthetic Sling End Fittings



The Caldwell Group • 800-628-4263 • www.caldwellinc.com

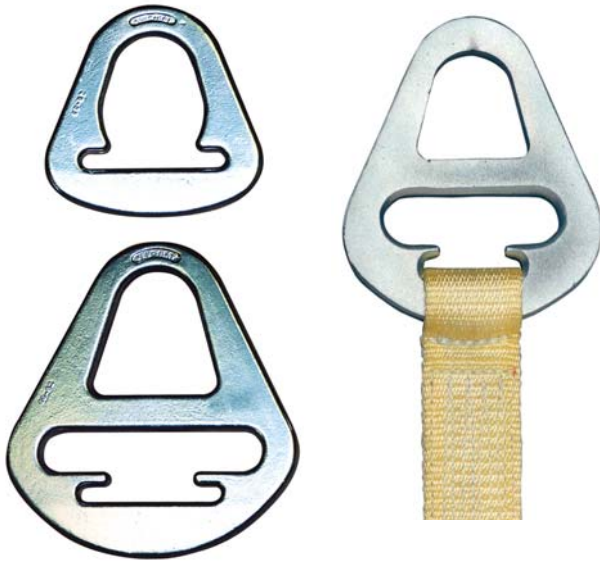
Rig-Master® Section
2011-2013 Master Catalog

Web-Trap® Steel Triangles & Chokers

Web-Trap® design keeps sling material in place, reducing wear and increasing sling life.

PRODUCT FEATURES:

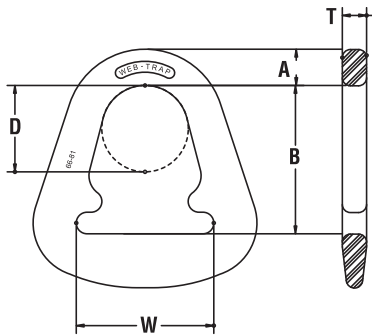
- Forged steel (unless noted).
- For use with one or two-ply web slings.
- Plated for corrosion resistance.
- Complies with ASME B30.9 sling capacities.



IN-STOCK PROGRAM



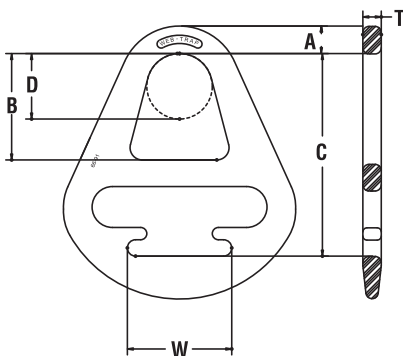
SPECIFICATIONS - Triangles



Model Number	Rated Capacity (lbs.)	Dimensions (in.)					Weight (lbs.)
		A	B	D	T	W	
WT2	8000	11/16	2-3/8	1-3/4	9/16	2	1
WT3	8600	13/16	3-7/16	2	9/16	3	2
WT4	11500	15/16	4	2-3/8	9/16	4	2.6
WT6*	16800	1-1/16	5-9/16	3-1/8	3/4	6	6.3
WT8*	22400	1-7/16	6-1/2	4	3/4	8	10.2
WT10*	28000	1-1/2	8-1/4	5	1	10	17
WT12*	33600	1-3/4	8-3/4	5-1/2	1	12	24

* Weldless flame cut steel

SPECIFICATIONS - Chokers



Model Number	Rated Capacity (lbs.)	Dimensions (in.)						Weight (lbs.)
		A	B	C	D	T	W	
WC2	8000	11/16	2-7/16	5-1/8	1-3/4	9/16	2	1.9
WC3	8600	13/16	3-1/4	6-3/16	2	9/16	3	3.6
WC4	11500	15/16	3-3/4	6-15/16	2-3/8	9/16	4	5.1
WC6*	16800	1-1/16	4-3/4	8-7/8	3-1/8	3/4	6	12
WC8*	22400	1-7/16	5-5/8	10	4	3/4	8	25
WC10*	28000	1-1/2	7	11-13/16	5	1	10	38
WC12*	33600	1-3/4	7-3/4	12-13/16	5-1/2	1	12	54

* Weldless flame cut steel

Synthetic Sling End Fittings



The Caldwell Group • 800-628-4263 • www.caldwellinc.com

Rig-Master® Section
2011-2013 Master Catalog

Aluminum Triangles and Chokers

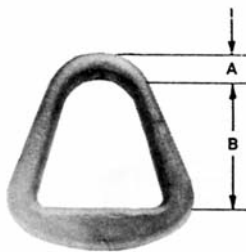


Triangles

PRODUCT FEATURES:

- Forged aluminum.
- Lightweight for one-ply capacity slings only.
- Non-sparking.
- Complies with ASME B30.9 sling capacities.

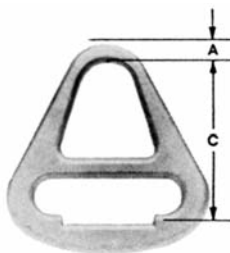
Chokers



SPECIFICATIONS - Triangles

Model Number	Rated Capacity (lbs.)	Dimensions (in.)			Weight (lbs.)
		A	B	Thickness	
AT2	3360	3/4	2-1/4	9/16	.32
AT3	5000	3/4	3-1/4	5/8	.70
AT4	6700	7/8	3-3/4	1/2	1.2

NOTE: For use only with one-ply web slings.



SPECIFICATIONS - Chokers

Model Number	Rated Capacity (lbs.)	Dimensions (in.)			Weight (lbs.)
		A	C	Thickness	
AC2	3360	3/4	4-1/4	9/16	.72
AC3	5000	3/4	5-1/4	11/16	1.2
AC4	6700	7/8	6-3/4	1/2	1.8
AC6	9700	1-1/16	8-1/2	15/16	4.9

NOTE: For use only with one-ply web slings.

⚠ WARNING

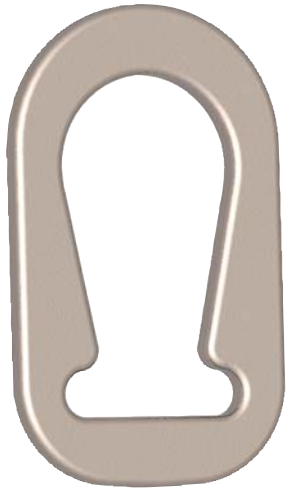
Do not use aluminum fittings where fumes, sprays, mists or liquids of caustics are present.

Synthetic Sling End Fittings



The Caldwell Group • 800-628-4263 • www.caldwellinc.com

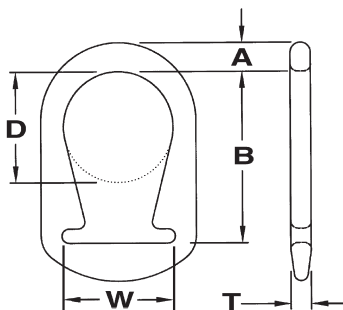
Unilink® Combination Triangle/Choker



Patent No. 4,789,193

PRODUCT FEATURES:

- Forged steel.
- Large crane hook opening for easier rigging.
- Web-Trap® design.
- Functions as both triangle and choker.
- Plated for corrosion resistance.
- Use with one or two ply web slings.
- Use with roundslings up to 5,300 pound rated capacity.
- Complies with ASME B30.9 sling capacities.



SPECIFICATIONS

Model Number	Rated Capacity (lbs.)	Dimensions (in.)					Weight (lbs.)
		A	B	D	T	W	
UL2	8000	11/16	3-11/16	2	9/16	2	1.1
UL3	8600	7/8	5-1/16	3	5/8	3	2.4
UL4	11500	3/4	6-3/16	4	5/8	4	4

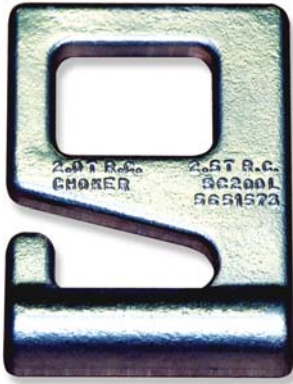
Rig-Master® Section
2011-2013 Master Catalog

Synthetic Sling End Fittings



The Caldwell Group • 800-628-4263 • www.caldwellinc.com

G-Link™ Coupler



Patent No. 5,651,573



PRODUCT FEATURES:

- Forged steel (unless noted).
- Can be used to make a Quick-Choke™ Pipe Lifting Sling.
- Couples web or round sling with hardware (oblongs or hooks).
- Splices two slings into longer length.
- Connects two slings with oblong and two hooks into bridle sling.
- Plated for corrosion resistance.
- Complies with ASME B30.9 sling capacities.

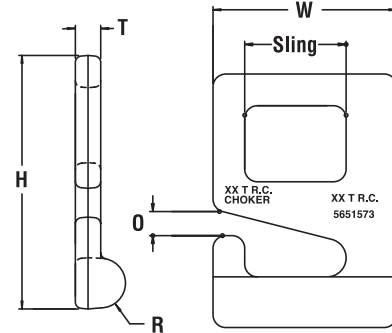
WARNING

Load loss.
G-Link is not a hook.
Do not use the G-Link as a hook.
Use G-Link only for connecting slings or end fittings.

SPECIFICATIONS - G-Link™ Hardware

Model Number	Rated Capacity (tons)	Dimensions (inches)						Weight (lbs.)
		Sling Size	Width W	Length H	Thickness T	Opening O	Radius R	
GL2	2-1/2	2	3-5/8	5	1/2	1/2	1/2	2.2
GL3	5	3	5	6-5/8	3/4	9/16	5/8	5.6
GL4	7-1/2	4	6	7-1/2	1	3/4	11/16	9.5
GL5*	15	5	8	10	1-1/4	9/16	1	22.7
GL6*	25	6	9-1/2	12-1/2	1-1/2	1-3/16	1	37

* Flame cut steel



Quick-Choke™ Sling



Connect Hook Or Oblong To Sling



Connect Two Slings
(Configuration will affect G-Link™ capacity.)

Use to make these Quick-Choke™ Slings: SPECIFICATIONS

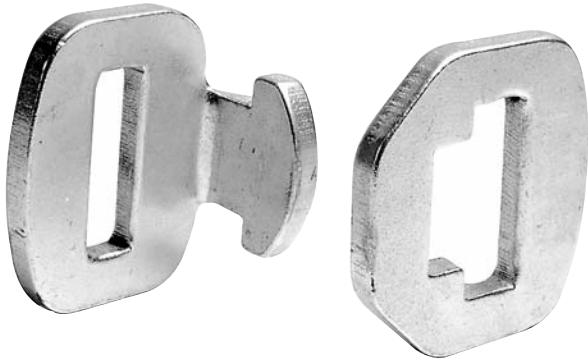
Model Number	Rated Capacity (lbs.)	Web Sling	
		Width (in.)	Length (ft.)
QC-2	4000	2	10
QC-3	7000	3	12
QC-4	9000	4	14

Synthetic Sling End Fittings



The Caldwell Group • 800-628-4263 • www.caldwellinc.com

Web Sling Quick Disconnects



PRODUCT FEATURES:

- Flame cut steel.
- Quick and easy choker with rigging.
- Sized for 2" and 3" wide slings.
- Ideal for handling pipe quickly and efficiently.
- Plated for corrosion resistance.
- Complies with ASME B30.9 sling capacities.



SPECIFICATIONS - Quick Disconnect Hardware

Model Number	Rated Capacity (lbs.)	Webbing Slot		Overall Length (in.)	Weight of Unit (lbs.)
		Width (in.)	Length (in.)		
PSB-2	2500	2-1/8	7/8	3-3/8	2
PSB-3	3750	3-1/4	1	3-5/8	5

NOTE: Both pieces sold as a unit.



Use to make these Quick Disconnect Slings in any length your customer needs!

SPECIFICATIONS

Model Number	Rated Capacity (lbs.)	Web Sling Width (in.)
D2PS-Q	2500	2
D3PS-Q	3750	3

Rig-Master® Section
2011-2013 Master Catalog

Synthetic Sling End Fittings



The Caldwell Group • 800-628-4263 • www.caldwellinc.com

Barrel/Drum Hooks



Use in Pairs

PRODUCT FEATURES:

- Forged steel.
- Use with chain, wire rope or 1" nylon slings to lift drums or barrels.
- Ideally configured for use with an endless sling.
- Plated for corrosion resistance.
- Full 2-7/8" lip for positive grip.
- Lifts drums either vertically or horizontally.
- Complies with ASME B30.9 sling capacities.



SPECIFICATIONS - Barrel/Drum Hook Hardware

Model Number	Rated Capacity Per Pair (lbs.)	Eye (in.)		Overall Length (in.)	Width of Lip (lbs.)	Weight Per Pair (lbs.)
		I.D.	O.D.			
BH	1000	1-9/16	2-13/16	5	2-7/8	3.6



*Shown with 1" nylon sling.

Use to make this Drum Handling Sling: SPECIFICATIONS

Rated Capacity (lbs.)	Model Number	Drum Hook Width (in.)
1000	1HB2-N x 3' or 5'	2-7/8

NOTE: Use on metal drums only.

Rig-Master® Section
2011-2013 Master Catalog



Rig-Master® Rigging Attachments have been designed for specific tasks to withstand the particular forces imposed. A summary of guidelines for installation, inspection, maintenance, repair, safe operation, and operator training of these attachments follow:

INSTALLATION

Below/Hook Lifters shall be assembled and installed in accordance with the manufacturer's instructions, unless other specific arrangements have been approved in writing by manufacturer. Check for specific maintenance and installation procedures in accordance with manufacturer's instructions.

OPERATOR TRAINING

Lifters shall be operated in accordance with manufacturer's operating instructions, and by personnel who have received instructions described in the "Operating Practices" section of these guidelines.

Training shall also include instruction regarding:

1. Details of the lifting cycle.
2. Application of the lifter to the load including (according to the manufacturer's instructions) adjustments to the lifter, if any, to adapt it to various sizes and kinds of loads.
3. Instruction in any special operations or precautions that may be required.
4. Recognition of proper load configuration. For example, preferred operation requires an orderly pattern of stacking.
5. Before assuming responsibility for using the lifter, an operator shall demonstrate his understanding of the lifting procedure to the instructor. The instructor should record, for your personnel evaluation, notes of operator's demonstrated ability.

INSPECTION

The lifter shall be visually inspected by or under the direction of an appointed person on a daily or weekly schedule depending on the nature of the lifter and the severity of the service.

Details to look for include but are not limited to:

1. Structural deformation.
2. Cracks in the structural frame, welds, hoist hook attachment points, mechanically operating parts, any attached slings, clevises and hooks.
3. Malfunctions during operation of a mechanically operating lifter.
4. Loose covers, fasteners and stops.
5. Faulty operation of automatic hold and release mechanisms.
6. Wear of hoist hooking points, load supporting clevises, pins, slings, linkages and mechanical parts.
7. Missing nameplates and markings. Contact Caldwell for replacements.

MAINTENANCE AND REPAIRS

1. A preventive maintenance program should be established for each lifter by a qualified person based on recommendations made by its manufacturer.
2. A qualified person should have responsibility for repairs. Dated records and details of repairs and parts replacement should be carefully maintained by a qualified person, and copies kept in your possession.
3. Replacement parts shall be at least equivalent to the original manufacturer's specifications.
4. Keep products clean of dirt and debris to ensure proper and safe operation.
5. Oil pins and moving parts as required.

OPERATING PRACTICES

DO'S

1. The operator shall receive, read and understand the manufacturer's instruction manual.
2. The operator shall watch carefully that the lifter is performing properly during the lifting procedure.
3. The operator shall know the standard crane hand signals.
4. The operator shall only respond to signals from an appointed person. However, stop signals from anyone shall be obeyed.
5. The operator shall notify a designated person when he considers a load to be unsafe.
6. The operator shall observe the lifter before using. A defect observed shall be examined by a qualified person to determine if it is a hazard.

DON'TS

1. The operator shall not operate a malfunctioning lifter or one with an "out of service" tag attached.
2. The operator shall not use the lifter for any purpose(s) other than those designated by the manufacturer's instruction manual.
3. The operator shall not use a lifter when the capacity, weight or product safety labels are missing or are no longer legible.
4. No one shall make alterations or modifications to lifters without consulting the manufacturer.
5. No one shall obscure or paint over the manufacturer's capacity, weight, or safety markings.
6. Loads shall not be lifted higher than necessary or be left suspended unattended.
7. The lifter shall not lift a load that is not properly balanced for safe lifting.

HANDLING THE LOAD

1. The lifter shall not be loaded in excess of its rated load.
2. Ensure the load can withstand forces applied by the lifter.
3. The combined weight of the lifter and load shall not exceed the rated load of the crane or hoist.
4. The lifter shall be applied to the load in accordance with the manufacturer's recommended operating procedure.
5. Lifter ropes and chains shall not be kinked, and multiple part lines shall not be twisted about each other.
6. The lifter shall not touch obstructions during load movement.
7. The lifter shall not be loaded with loose material that might fall during movement.
8. The operator or other personnel shall not place themselves or any part of their bodies beneath suspended loads.
9. The load or lifter shall not be slid on the floor or other surface.
10. The lifter shall not be used for loads for which it is not designed.
11. If suspended loads are moved manually, they shall be pushed, not pulled.
12. A preliminary lift of a few inches shall be made to establish that the load is stable.
13. All loads shall be accelerated and decelerated smoothly and slowly.

Modifications or repairs performed on your lifting equipment without prior written approval from The Caldwell Group, Inc. voids your warranty. Refer to ASME standards for information regarding the liability of repaired or modified lifters.



The Caldwell Group • 800-628-4263 • www.caldwellinc.com

**Rig-Master® Section
2011-2013 Master Catalog**

(This page intentionally left blank)