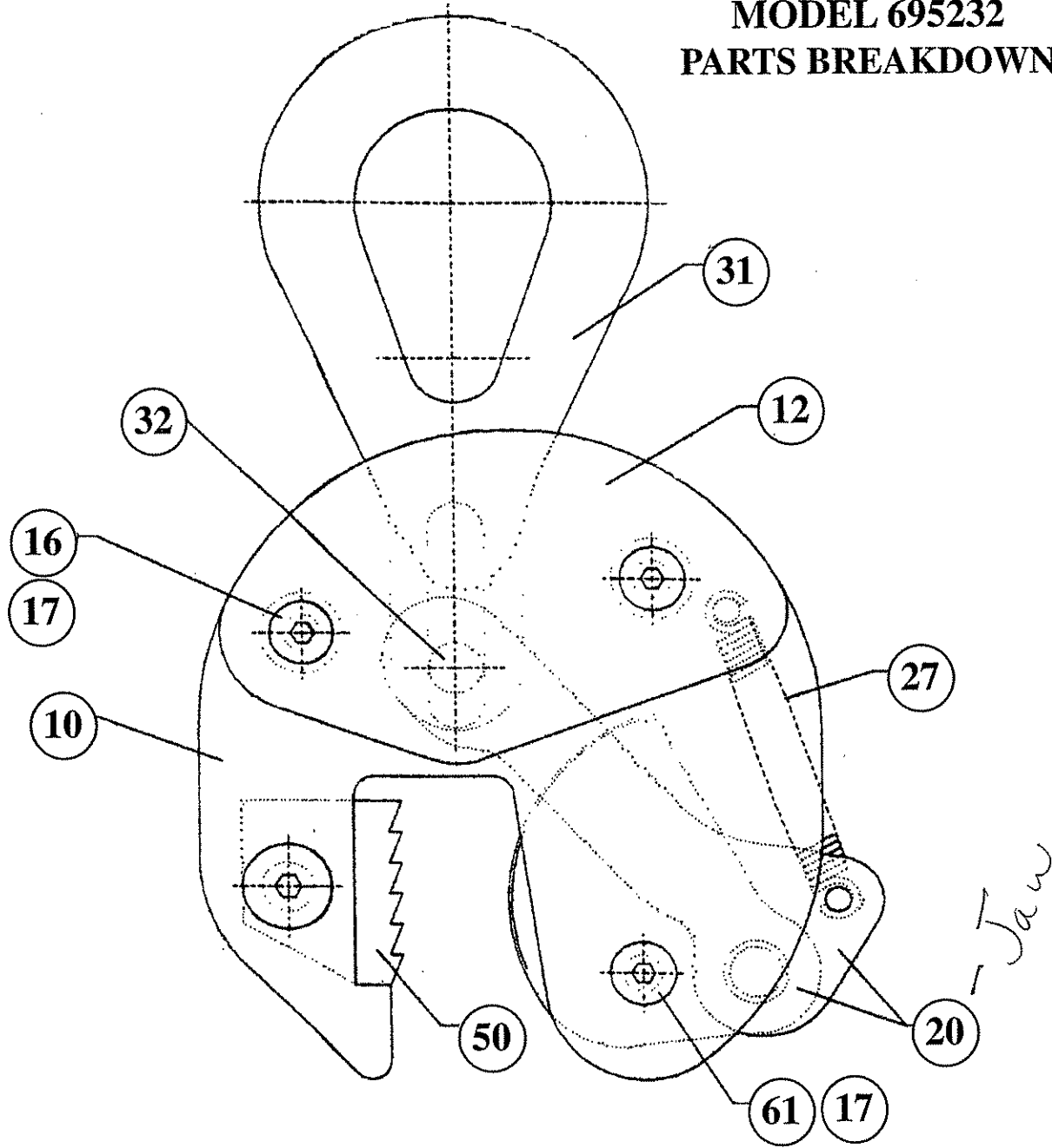


ITEM	PAGE
CZ92 UNIVERSAL	1-6
CY HINGED UNIVERSAL.....	7-8
CX HINGED UNIVERSAL.....	9-10
LJ GENTLE GRIP UNIVERSAL.....	11-12
TH WIDE MOUTH.....	13-16
HG HIGH GRIP UNIVERSAL.....	17-18
TSS GENTLE GRIP.....	19-20
TSB WIDE JAW GENTLE GRIP.....	21-22
CT CHANNEL SECTION.....	23-24
CB HEAVY DUTY BULB SECTION.....	25-26
CG HEAVY DUTY GIRDER.....	27-28
TTR GIRDER.....	29-30
GS GIRDER STACKING.....	31-32
TTG HORIZONTAL GIRDER.....	33-34
CH & HH HEAVY DUTY HORIZONTAL PLATE.....	35-36
RH ROLLER TOE HORIZONTAL.....	37-38
SH SHEET BUNDLE HORIZONTAL.....	39-40
THS HORIZONTAL PLATE W/LOCK.....	41-42
THK HORIZONTAL THIN SHEET.....	43-44
TSD SCREWCAM PULLING - THREE PLANES.....	45-46
TSH SCREWCAM PULLING - TWO DIRECTIONS.....	47-48
CR RAIL LIFTING.....	49-50
CP PILE PITCHING.....	51-52
PP PILE PULLING.....	53-54
SC & SC 92 SCREWLOCK.....	55-56
TSC PUSH TRAVEL SCREWLOCK TROLLEY.....	57-58

**MODEL 695232
PARTS BREAKDOWN**



- | | |
|-----------------------|-------------------|
| 10) SHELL PLATE (2) | 27) SPRING & PINS |
| 12) SIDE PLATE (2) | 31) HOOKRING |
| 16) SPACER PINS (2) | 32) HOOKRING PIN |
| 17) SHELL SCREWS (6) | 50) PAD & SCREWS |
| 20) INTERNAL ASSEMBLY | 61) JAW PIN |

LIFTING CLAMPS



CZ92 PART CODES FOR CM MODEL NUMBER 695232

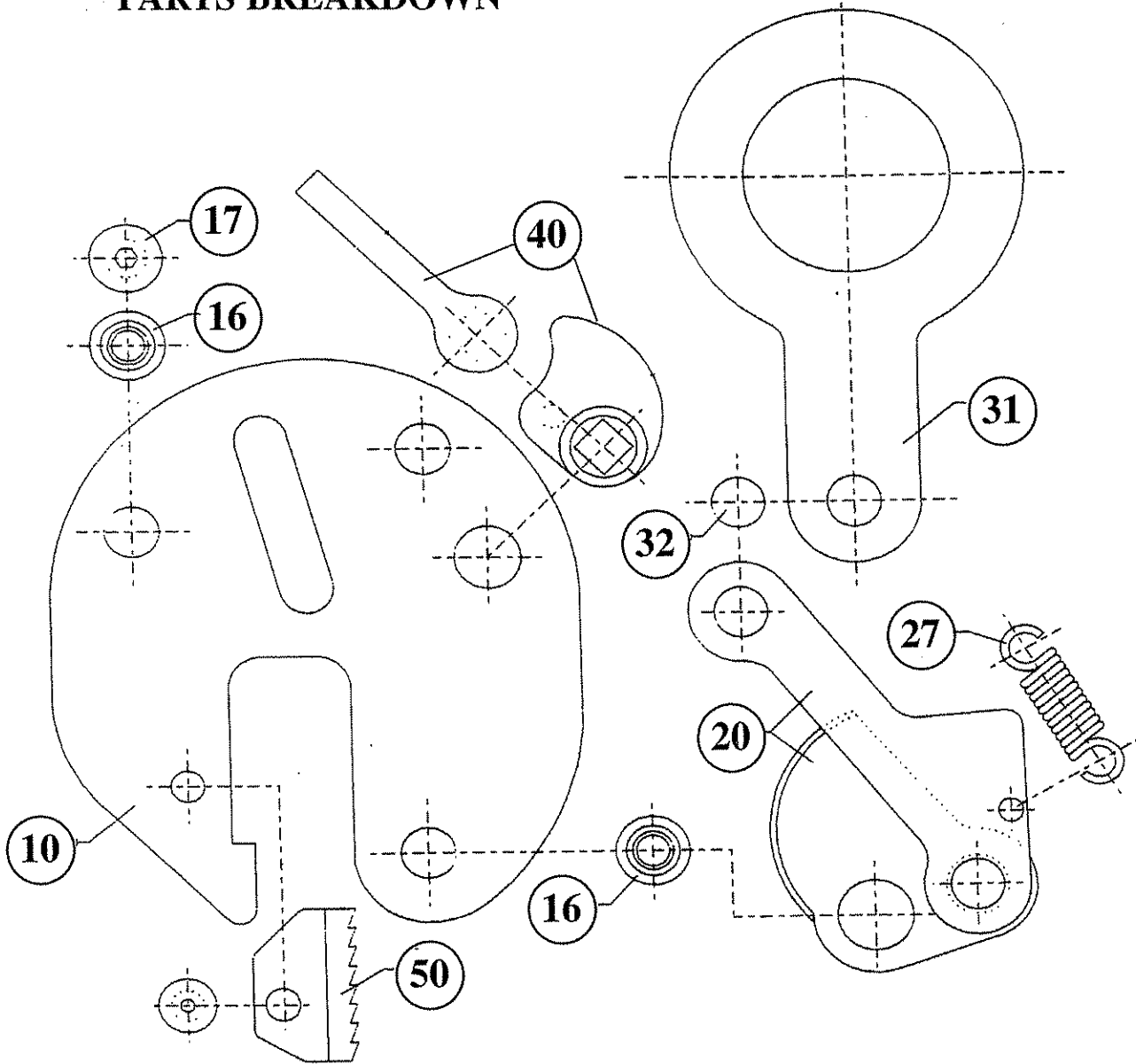
REF	DESCRIPTION	695232 Part Number
10	SHELL PLATE (Set of 2)	9205-100
12	SIDE PLATE (Set of 2)	9205-120
16	SPACER PINS (Set of 2)	9205-160
17	SHELL SCREWS (Set of 6)	16306010
20	INTERNAL ASSEMBLY	9205-200
27	SPRING & PINS	9205-270
31	HOKRING	9205-310
32	HOKRING PIN	9205-320
50	PAD & SCREWS	9205-500
61	JAW PIN	9205-610
70*	STUDLOCK (10 ml BOTTLE)	92-700

* 92-700 STUDLOCK AVAILABLE FOR ALL PRODUCTS IN THIS MANUAL



CZ92 UNIVERSAL CLAMP

MODEL 695233, 695234, 695235 PARTS BREAKDOWN



10) SHELL PLATES (4)
16) SHELL PINS (3)
17) SHELL SCREWS (6)
20) INTERNAL ASSEMBLY
27) SPRING

31) HOOKRING
32) HOOKRING PIN
40) CAM ASSEMBLY
50) PAD ASSEMBLY

LIFTING CLAMPS



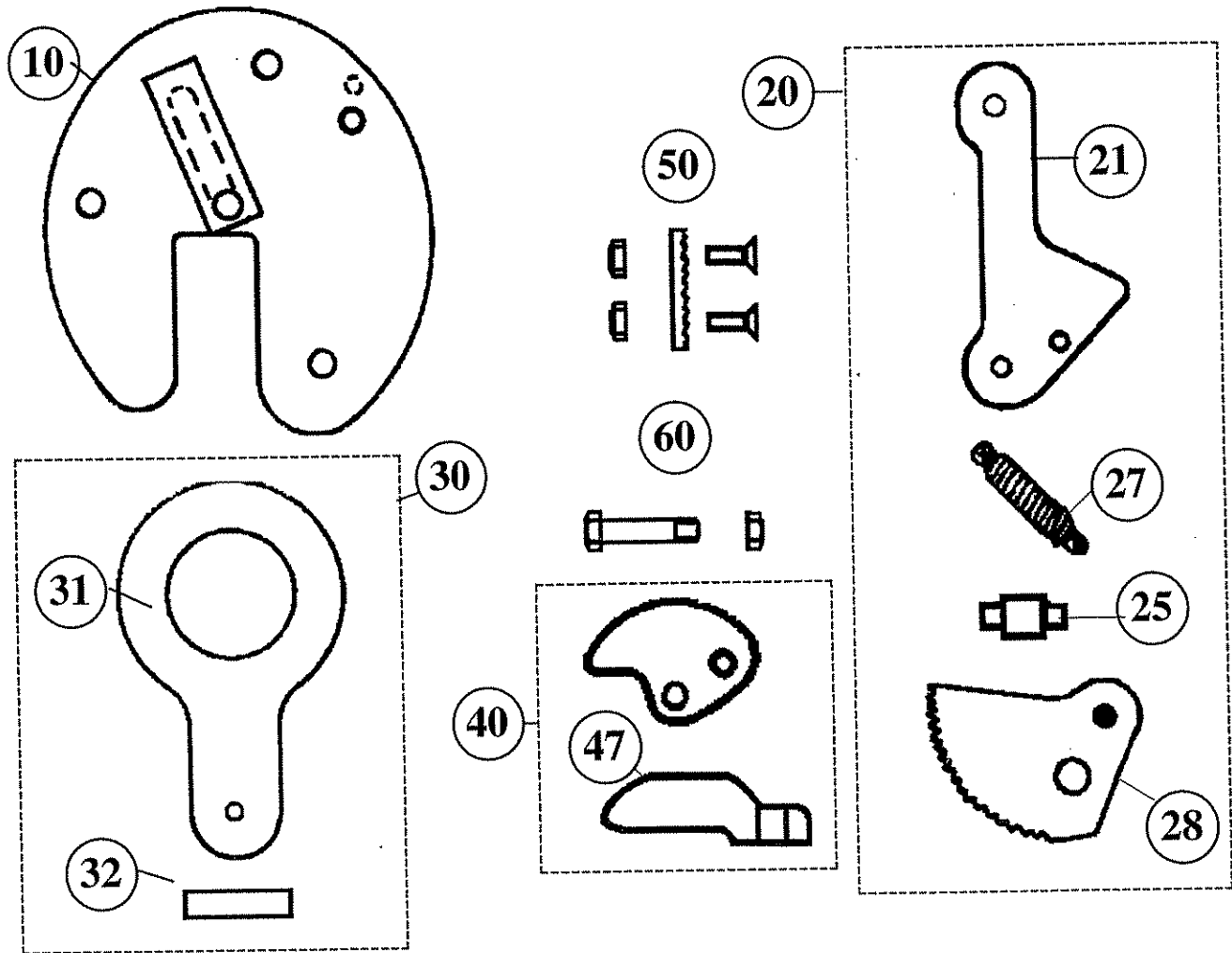
CZ92 PART CODES FOR CM MODEL NUMBERS 695233 THROUGH 695235

REF	DESCRIPTION	695233 Part Number	695234 Part Number	695235 Part Number
10	SHELL PLATES (SET OF 4)	921-100	922-100	923-100
16	SHELL PINS (SET OF 3)	921-160	922-160	923-160
17	SHELL SCREWS (SET OF 6)	16310016	16312020	16312020
20	INTERNAL ASSEMBLY	921-200	923-200	923-200
27	SPRING	921-270	923-270	923-270
31	HOOKRING	921-310	922-310	923-310
32	HOOKRING PIN	921-320	923-320	923-320
40	CAM ASSEMBLY	921-400	922-400	923-400
50	PAD ASSEMBLY	921-500	923-500	923-500



CZ92 UNIVERSAL CLAMP

MODEL 695236, 694770 THROUGH 694784 PARTS BREAKDOWN



CZ92 PART CODES FOR CM MODEL NUMBERS 695236, 694770 THROUGH 694784

REF	DESCRIPTION	695236	694770
		Part number	Part number
10	SHELL WELDED ASSEMBLY	CZ3-100	CZ3/L-100
20	INTERNAL ASSEMBLY	CZ3-200	CZ3-200
21	INTERNAL LINK	CZ3-210	CZ3-210
25	INTERNAL PIN	CZ3-250	CZ3-250
27	SPRING	CZ3-270	CZ3-270
28	JAW	CZ3-280	CZ3-380
30	HOKRING ASSEMBLY	CZ3-300	CZ3-300
31	HOKRING	CZ3-310	CZ3-310
32	HOKRING PIN	CZ3-320	CZ3-320
40	CAM ASSEMBLY & LEVER	923-400	923-400
47	LOCKING LEVER ONLY	923-470	923-470
50	PAD ASSEMBLY	CZ3-500	CZ3-500
60	JAW BOLT ASSEMBLY	CZ3-600	CZ3-600

REF	DESCRIPTION	694771	694772
		Part number	Part number
10	SHELL WELDED ASSEMBLY	CZ4-100	CZ4/L-100
20	INTERNAL ASSEMBLY	CZ6-200	CZ6-200
21	INTERNAL LINK	CZ8-210	CZ8-210
25	INTERNAL PIN	CZ8-250	CZ8-250
27	SPRING	CZ8-270	CZ8-270
28	JAW	CZ6-280	CZ6-280
30	HOKRING ASSEMBLY	CZ4-300	CZ4-300
31	HOKRING	CZ4-310	CZ4-310
32	HOKRING PIN	CZ6-320	CZ6-320
40	CAM ASSEMBLY & LEVER	CZ8-400	CZ8-400
47	LOCKING LEVER ONLY	CZ8-470	CZ8-470
50	PAD ASSEMBLY	CZ6-500	CZ6-500
60	JAW BOLT ASSEMBLY	CZ6-600	CZ6-600

LIFTING CLAMPS



CZ92 PART CODES FOR CM MODEL NUMBERS 695236, 694770 THROUGH 694784

REF	DESCRIPTION	694773	694774
		Part number	Part number
10	SHELL WELDED ASSEMBLY	CZ6-100	CZ6/L-100
20	INTERNAL ASSEMBLY	CZ6-200	CZ6-200
21	INTERNAL LINK	CZ8-210	CZ8-210
25	INTERNAL PIN	CZ8-250	CZ8-250
27	SPRING	CZ8-270	CZ8-270
28	JAW	CZ6-280	CZ6-280
30	HOOKRING ASSEMBLY	CZ6-300	CZ6/L-300
31	HOOKRING	CZ6-310	CZ6/L-310
32	HOOKRING PIN	CZ6-320	CZ6-320
40	CAM ASSEMBLY & LEVER	CZ8-400	CZ8-400
47	LOCKING LEVER ONLY	CZ8-470	CZ8-470
50	PAD ASSEMBLY	CZ6-500	CZ6-500
60	JAW BOLT ASSEMBLY	CZ6-600	CZ6-600

REF	DESCRIPTION	694779	694780
		Part number	Part number
10	SHELL WELDED ASSEMBLY	CZ15-100	CZ15/L-100
20	INTERNAL ASSEMBLY	CZ15-200	CZ15-200
21	INTERNAL LINK	CZ15-210	CZ15-210
25	INTERNAL PIN	CZ15-250	CZ15-250
27	SPRING	CZ15-270	CZ15-270
28	JAW	CZ15-280	CZ15-280
30	HOOKRING ASSEMBLY	CZ15-300	CZ15/L-300
31	HOOKRING	CZ15-310	CZ15/L-310
32	HOOKRING PIN	CZ15-320	CZ15-320
40	CAM ASSEMBLY & LEVER	CZ15-400	CZ15-400
47	LOCKING LEVER ONLY	CZ15-470	CZ15-470
50	PAD ASSEMBLY	CZ15-500	CZ15-500
60	JAW BOLT ASSEMBLY	CZ15-600	CZ15-600

REF	DESCRIPTION	694775	694776
		Part number	Part number
10	SHELL WELDED ASSEMBLY	CZ8-100	CZ8/L-100
20	INTERNAL ASSEMBLY	CZ8-200	CZ8-200
21	INTERNAL LINK	CZ8-210	CZ8-210
25	INTERNAL PIN	CZ8-250	CZ8-250
27	SPRING	CZ8-270	CZ8-270
28	JAW	CZ8-280	CZ8-280
30	HOOKRING ASSEMBLY	CZ8-300	CZ8/L-300
31	HOOKRING	CZ8-310	CZ8/L-310
32	HOOKRING PIN	CZ8-320	CZ8-320
40	CAM ASSEMBLY & LEVER	CZ8-400	CZ8-400
47	LOCKING LEVER ONLY	CZ8-470	CZ8-470
50	PAD ASSEMBLY	CZ8-500	CZ8-500
60	JAW BOLT ASSEMBLY	CZ8-600	CZ8-600

REF	DESCRIPTION	694781	694782
		Part number	Part number
10	SHELL WELDED ASSEMBLY	CZ20-100	CZ20/L-100
20	INTERNAL ASSEMBLY	CZ20-200	CZ20-200
21	INTERNAL LINK	CZ20-210	CZ20-210
25	INTERNAL PIN	CZ20-250	CZ20-250
27	SPRING	CZ30-270	CZ30-270
28	JAW	CZ20-280	CZ20-280
30	HOOKRING ASSEMBLY	CZ20-300	CZ20/L-300
31	HOOKRING	CZ20-310	CZ20/L-310
32	HOOKRING PIN	CZ20-320	CZ20-320
40	CAM ASSEMBLY & LEVER	CZ20-400	CZ20-400
47	LOCKING LEVER ONLY	CZ20-470	CZ20-470
50	PAD ASSEMBLY	CZ20-500	CZ20-500
60	JAW BOLT ASSEMBLY	CZ20-600	CZ20-600

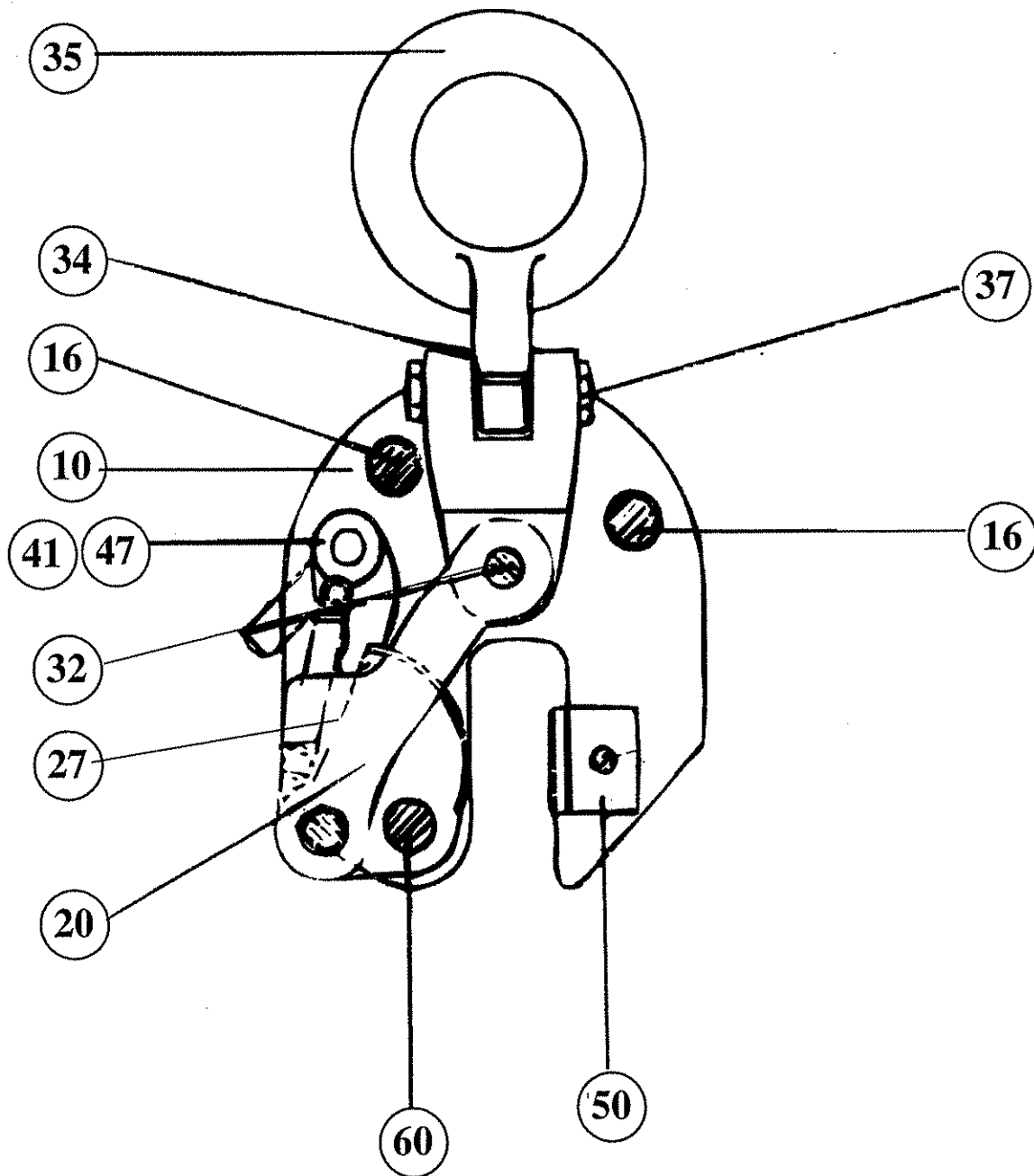
REF	DESCRIPTION	694777	694778
		Part number	Part number
10	SHELL WELDED ASSEMBLY	CZ10-100	CZ10/L-100
20	INTERNAL ASSEMBLY	CZ10-200	CZ10-200
21	INTERNAL LINK	CZ10-210	CZ10-210
25	INTERNAL PIN	CZ10-250	CZ10-250
27	SPRING	CZ15-270	CZ15-270
28	JAW	CZ10-280	CZ10-280
30	HOOKRING ASSEMBLY	CZ10-300	CZ10/L-300
31	HOOKRING	CZ10-310	CZ10/L-310
32	HOOKRING PIN	CZ10-320	CZ10-320
40	CAM ASSEMBLY & LEVER	CZ10-400	CZ10-400
47	LOCKING LEVER ONLY	CZ10-470	CZ10-470
50	PAD ASSEMBLY	CZ10-500	CZ10-500
60	JAW BOLT ASSEMBLY	CZ10-600	CZ10-600

REF	DESCRIPTION	694783	694784
		Part number	Part number
10	SHELL WELDED ASSEMBLY	CZ30-100	CZ30/L-100
20	INTERNAL ASSEMBLY	CZ30-200	CZ30-200
21	INTERNAL LINK	CZ30-210	CZ30-210
25	INTERNAL PIN	CZ30-250	CZ30-250
27	SPRING	CZ30-270	CZ30-270
28	JAW	CZ30-280	CZ30-280
30	SHACKLE LINK ASSEMBLY	CZ30-300	CZ30/L-300
32	HOOKRING PIN	CZ30-320	CZ30-320
33	SHACKLE LINK	CZ30-330	CZ30/L-330
40	CAM ASSEMBLY & LEVER	CZ30-400	CZ30-400
47	LOCKING LEVER ONLY	CZ30-470	CZ30-470
50	PAD ASSEMBLY	CZ30-500	CZ30-500
60	JAW BOLT ASSEMBLY	CZ30-600	CZ30-600



CY HINGED UNIVERSAL CLAMP

MODEL 695237 THROUGH 695239 PARTS BREAKDOWN



- | | |
|-----------------------|-----------------------|
| 10) SHELL PLATES (4) | 35) SWIVEL HOOKRING |
| 16) SHELL PINS (2) | 37) EYE BOLT & NUT |
| 17) SHELL SCREWS (4) | 41) CAM |
| 20) INTERNAL ASSEMBLY | 47) HANDLE & PIN |
| 27) SPRING | 50) PAD & SCREWS |
| 32) HOOKRING PIN | 60) JAW BOLT ASSEMBLY |
| 34) HOOKRING FORK | |

LIFTING CLAMPS



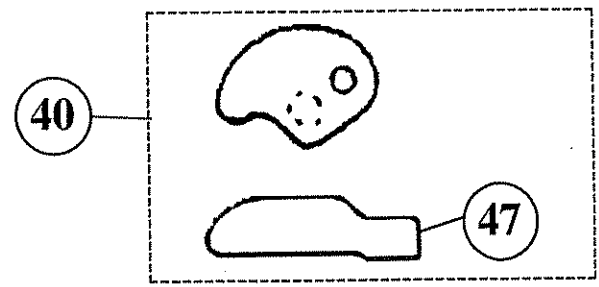
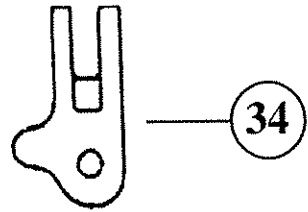
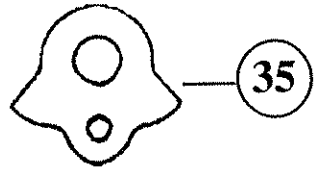
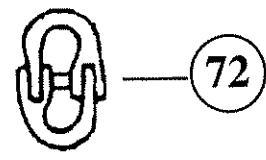
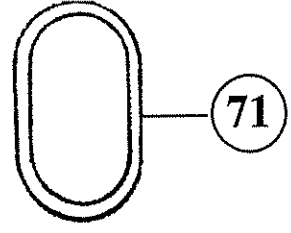
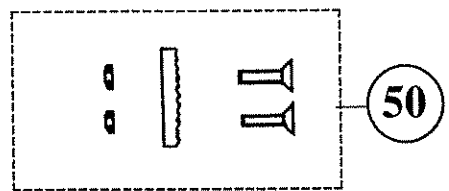
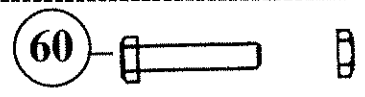
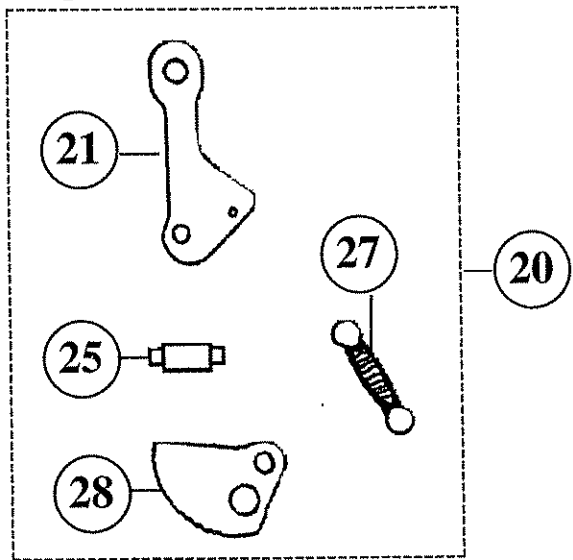
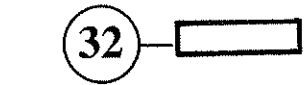
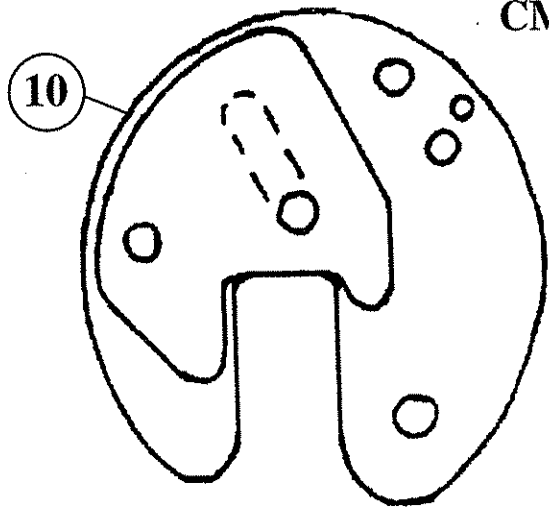
CY PART CODES FOR CM MODEL NUMBERS 695237 THROUGH 695239

REF	DESCRIPTION	695237 Part number	695238 Part number	695239 Part number
10	SHELL PLATES (SET OF 4)	CY1-100	CY3-100	CY3-100
16	SHELL PINS (SET OF 2)	921-160	923-160	923-160
17	SHELL SCREWS (SET OF 4)	13610016	16312020	16312020
20	INTERNAL ASSEMBLY	921-200	923-200	923-200
27	SPRING	921-270	923-270	923-270
32	HOKRING PIN	921-320	923-320	923-320
34	HOKRING FORK	CY1-340	CY3-340	CY3-340
35	SWIVEL HOKRING	CY1-350	CY3-350	CY3-350
37	EYE BOLT & NUT	CY1-370	CY3-370	CY3-370
41	CAM	921-410	923-410	923-410
47	HANDLE & PIN	CY1-470	CY3-470	CY3-470
50	PAD & SCREWS	921-500	923-500	923-500
60	JAW BOLT ASSEMBLY	CY1-600	CY3-600	CY3-600



CX HINGED UNIVERSAL CLAMP

CM MODEL 694790 THROUGH 694797 PARTS BREAKDOWN



- | | |
|---------------------------|----------------------------------|
| 10) SHELL WELDED ASSEMBLY | 35) EYE CAM |
| 20) INTERNAL ASSEMBLY | 37) PIVOT BOLT & NUT |
| 21) INTERNAL LINKS (2) | 40) CAM ASSEMBLY & LOCKING LEVER |
| 25) INTERNAL PIN | 47) LOCKING LEVER ONLY |
| 27) SPRING | 50) PAD & SCREWS |
| 28) JAW | 60) JAW BOLT ASSEMBLY |
| 32) FORK PIN | 71) MASTERLINK |
| 34) FORK | 72) CONNECTING LINK |

LIFTING CLAMPS



CX PART CODES FOR CM MODEL NUMBERS 694790 THROUGH 694797

REF	DESCRIPTION	694790	694791	694792
		Part number	Part number	Part number
10	SHELL WELDED ASSEMBLY	CX1-100	CX3-100	CX6-100
20	INTERNAL ASSEMBLY	CZ1-200	CZ3-200	CZ6-200
21	INTERNAL LINKS (SET OF 2)	CZ1-210	CZ3-210	CZ8-210
25	INTERNAL PIN	CZ1-250	CZ3-250	CZ8-250
27	SPRING	CZ1-270	CZ3-270	CZ8-270
28	JAW	CZ1-280	CZ3-280	CZ6-280
32	FORK PIN	CZ1-320	CZ3-320	CX8-320
34	FORK	CX1-340	CX3-340	CX6-340
35	EYE CAM	CX1-350	CX3-350	CX8-350
37	PIVOT BOLT & NUT	CZ1-600	CX3-370	CX8-370
40	CAM ASSEMBLY & LOCKING LEVER	CX1-400	CX3-400	CX8-400
47	LOCKING LEVER ONLY	CX1-470	CX3-470	CX8-470
50	PAD & SCREWS	CZ1-500	CZ3-500	CZ8-500
60	JAW BOLT ASSEMBLY	CZ1-600	CZ3-600	CX6-600
71	MASTERLINK	OF-86-8	OF-108-8	OF-1310-8
72	CONNECTING LINK	G-7/8-8	G-10-8	G-16-8

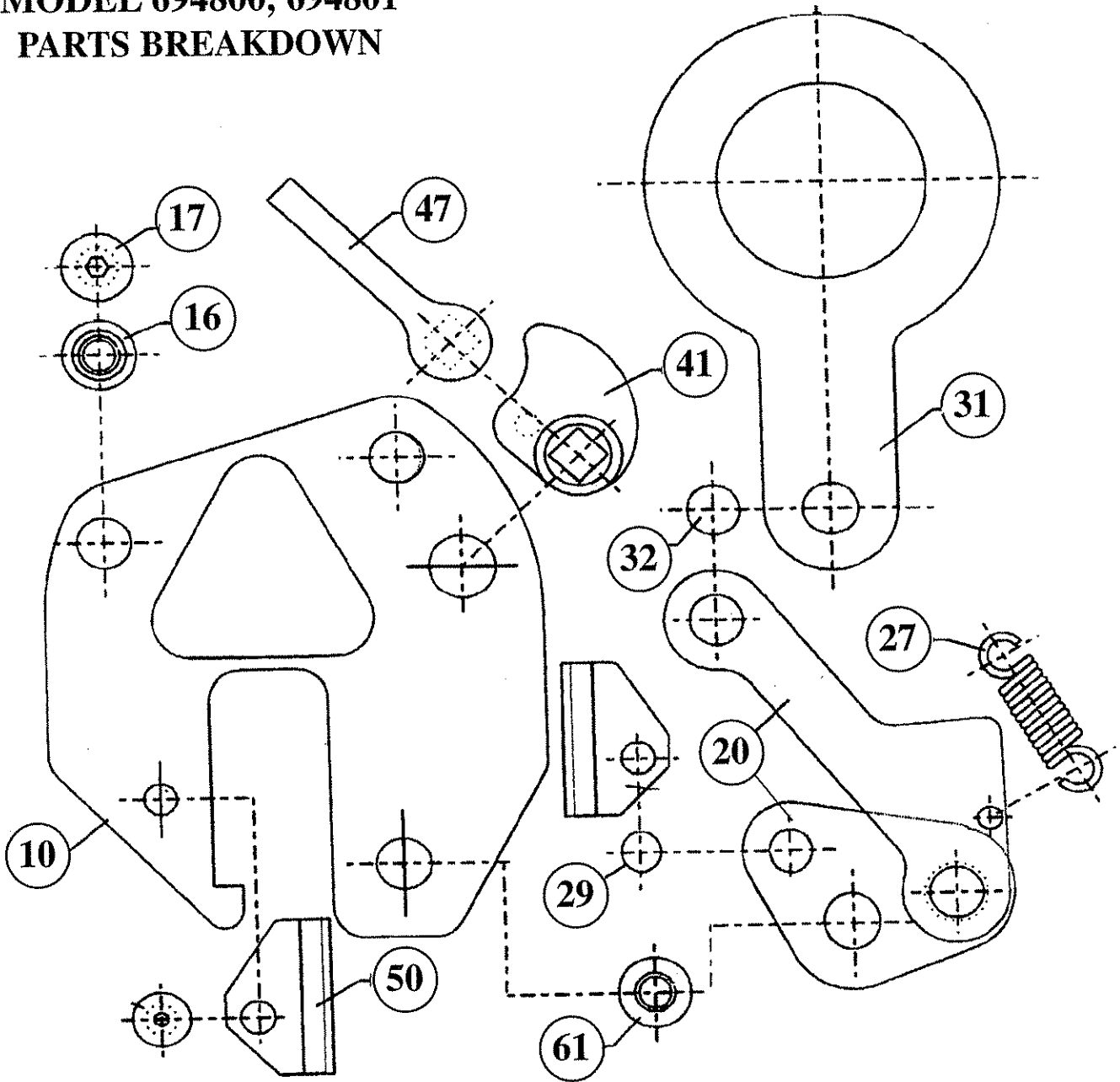
REF	DESCRIPTION	694793	694794	694795
		Part number	Part number	Part number
10	SHELL WELDED ASSEMBLY	CX6L-100	CX8-100	CX8L-100
20	INTERNAL ASSEMBLY	CZ8-200	CZ8-200	CZ8-200
21	INTERNAL LINKS (SET OF 2)	CZ8-210	CZ8-210	CZ8-210
25	INTERNAL PIN	CZ8-250	CZ8-250	CZ8-250
27	SPRING	CZ8-270	CZ8-270	CZ8-270
28	JAW	CZ6-280	CZ8-280	CZ8-280
32	FORK PIN	CX8-320	CX8-320	CX8-320
34	FORK	CX6-340	CX8-340	CX8-340
35	EYE CAM	CX8-350	CX8-350	CX8-350
37	PIVOT BOLT & NUT	CX8-370	CX8-370	CX8-370
40	CAM ASSEMBLY & LOCKING LEVER	CX8-400	CX8-400	CX8-400
47	LOCKING LEVER ONLY	CX8-470	CX8-470	CX8-470
50	PAD & SCREWS	CZ8-500	CZ8-500	CZ8-500
60	JAW BOLT ASSEMBLY	CX6-600	CX8-600	CX8-600
71	MASTERLINK	OF-1310-8	OF-1310-8	OF-1310-8
72	CONNECTING LINK	G-16-8	G-16-8	G-16-8

REF	DESCRIPTION	694796	694797
		Part number	Part number
10	SHELL WELDED ASSEMBLY	CX10-100	CX10/L-100
20	INTERNAL ASSEMBLY	CZ10-200	CZ10-200
21	INTERNAL LINKS (SET OF 2)	CZ10-210	CZ10-210
25	INTERNAL PIN	CZ10-250	CZ10-250
27	SPRING	CZ15-270	CZ15-270
28	JAW	CZ10-280	CZ10-280
32	FORK PIN	CZ10-320	CZ10-320
34	FORK	CX10-340	CX10-340
35	EYE CAM	CX10-350	CX10-350
37	PIVOT BOLT & NUT	CX10-370	CX10-370
40	CAM ASSEMBLY & LOCKING LEVER	CX10-400	CX10-400
47	LOCKING LEVER ONLY	CX10-470	CX10-470
50	PAD & SCREWS	CZ10-500	CZ10-500
60	JAW BOLT ASSEMBLY	CZ10-600	CZ10-600
71	MASTERLINK	OF-1613-8	OF-1613-8
72	CONNECTING LINK	G-18/20-8	G-18/20-8



LJ GENTLE GRIP UNIVERSAL CLAMP

MODEL 694800, 694801 PARTS BREAKDOWN



- 10) SHELL PLATES (2)
- 16) SHELL PINS (2)
- 17) SHELL SCREWS (4)
- 20) INTERNAL ASSEMBLY
- 27) SPRING
- 29) JAW PIN

- 31) HOOKRING
- 32) HOOKRING PIN
- 41) CAM
- 47) HANDLE & PIN
- 50) PAD (2) & SCREWS
- 61) JAW BOLT ASSEMBLY

LIFTING CLAMPS



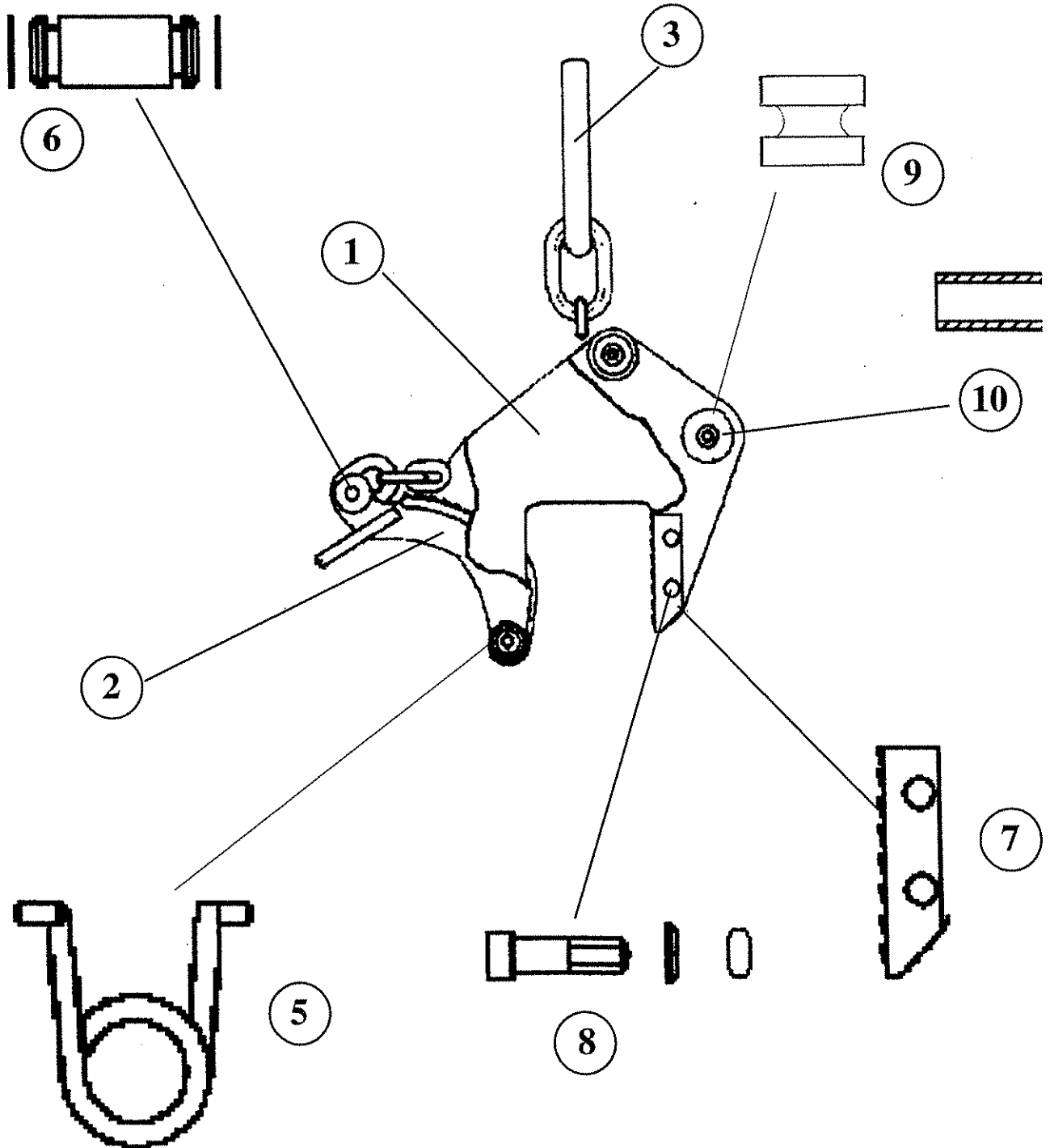
LJ PART CODES FOR CM MODEL NUMBERS 694800, 694801

REF	DESCRIPTION	694800 Part number	694801 Part number
10	SHELL PLATES (SET OF 2)	LJ500-100	LJ1.5-100
16	SHELL PINS (SET OF 2)	921-160	922-160
17	SHELL SCREWS (SET OF 4)	16310016	16312020
20	INTERNAL ASSEMBLY	LJ500-200	LJ1.5-200
27	SPRING	921-270	923-270
29	JAW PIN	LJ500-290	LJ1.5-290
31	HOOK RING	921-310	922-310
32	HOOKRING PIN	LJ500-320	LJ1.5-320
41	CAM	921-410	922-410
47	HANDLE & PIN	921-470	922-470
50	PAD (SET OF 2) & SCREWS	LJ500-500	LJ1.5-500
61	JAW BOLT ASSEMBLY	LJ500-610	LJ1.5-610



TH WIDE MOUTH CLAMP

MODEL 694810 THROUGH 694817 PARTS BREAKDOWN



LIFTING CLAMPS



TH PART CODES FOR CM MODEL NUMBERS 694810 THROUGH 694817

REF	DESCRIPTION	694810	694811
		Part number	Part number
1	SHELL PLATE 1	5031.0608	5031.0658
1	SHELL PLATE 2	5031.0612	5031.0662
2	MOVING JAW & HANDLE	5031.0626	5031.0676
3	LOAD CHAIN & MASTER LINK	5031.0600	5031.0650
5	TORSION SPRING	5031.0630	5031.0680
6	CHAIN PIN & CIRCLIPS	5031.0620	5031.0670
7	PAD	5031.0636	5031.0686
8	SHELL BOLTS & NUTS	5031.0618	5031.0668
9	ROLLER	5031.0604	5031.0654
10	SPACER TUBE	5031.0616	5031.0666

REF	DESCRIPTION	694812	694813
		Part number	Part number
1	SHELL PLATE 1	5031.0609	5031.0659
1	SHELL PLATE 2	5031.0613	5031.0663
2	MOVING JAW & HANDLE	5031.0626	5031.0676
3	LOAD CHAIN & MASTER LINK	5031.0601	5031.0651
5	TORSION SPRING	5031.0630	5031.0680
6	CHAIN PIN & CIRCLIPS	5031.0620	5031.0670
7	PAD	5031.0636	5031.0686
8	SHELL BOLTS & NUTS	5031.0618	5031.0668
9	ROLLER	5031.0605	5031.0655
10	SPACER TUBE	5031.0616	5031.0666

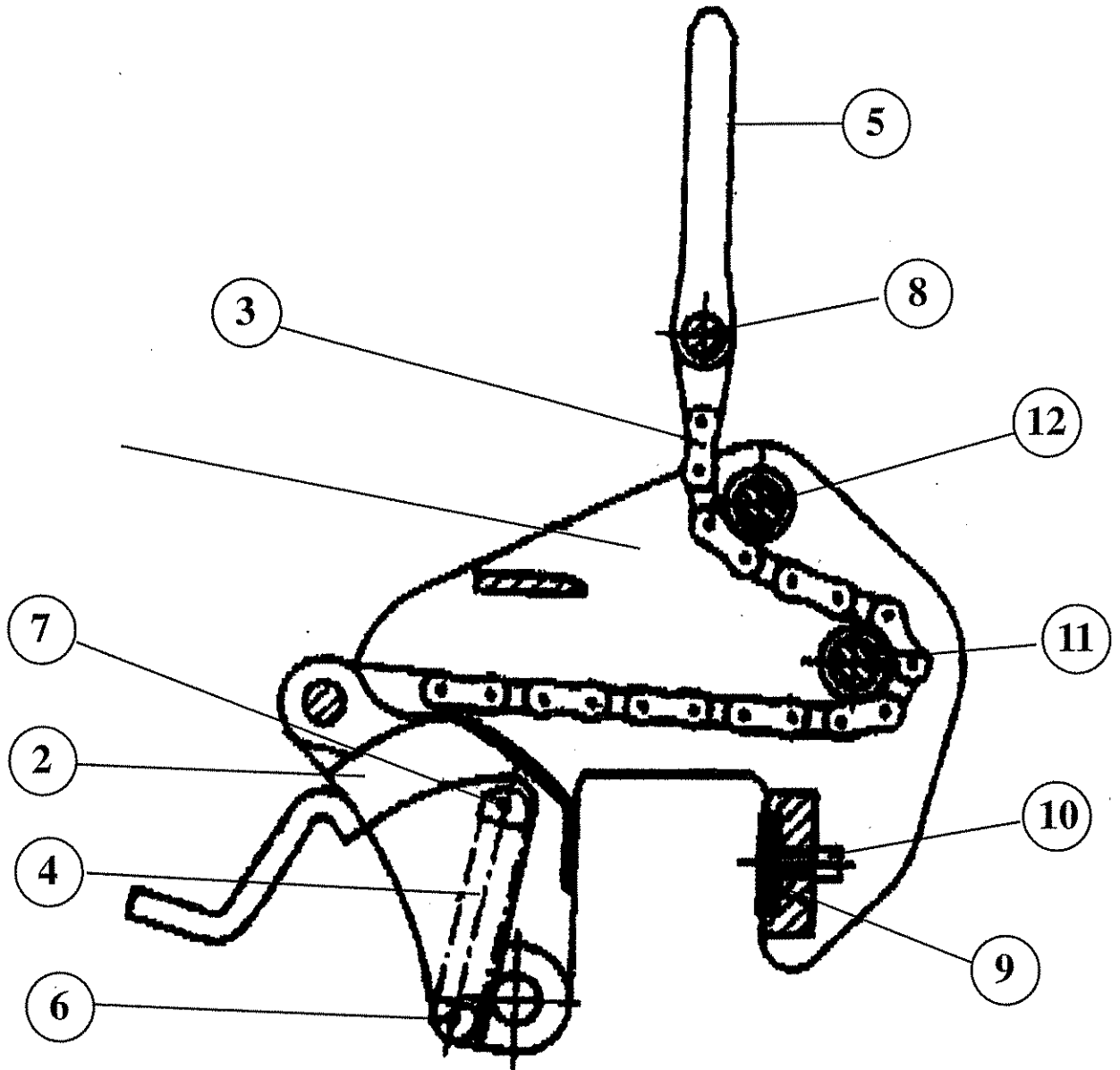
REF	DESCRIPTION	694814	694815
		Part number	Part number
1	SHELL PLATE 1	5031.0610	5031.0660
1	SHELL PLATE 2	5031.0614	5031.0664
2	MOVING JAW & HANDLE	5031.0626	5031.0676
3	LOAD CHAIN & MASTER LINK	5031.0602	5031.0652
5	TORSION SPRING	5031.0630	5031.0680
6	CHAIN PIN & CIRCLIPS	5031.0620	5031.0670
7	PAD	5031.0636	5031.0686
8	SHELL BOLTS & NUTS	5031.0618	5031.0668
9	ROLLER	5031.0606	5031.0656
10	SPACER TUBE	5031.0616	5031.0666

REF	DESCRIPTION	694816	694817
		Part number	Part number
1	SHELL PLATE 1	5031.0611	5031.0661
1	SHELL PLATE 2	5031.0615	5031.0665
2	MOVING JAW & HANDLE	5031.0627	5031.0677
3	LOAD CHAIN & MASTER LINK	5031.0603	5031.0653
5	TORSION SPRING	5031.0631	5031.0681
6	CHAIN PIN & CIRCLIPS	5031.0621	5031.0671
7	PAD	5031.0637	5031.0687
8	SHELL BOLTS & NUTS	5031.0619	5031.0669
9	ROLLER	5031.0607	5031.0657
10	SPACER TUBE	5031.0617	5031.0667



TH WIDE MOUTH CLAMP

MODEL 694818-694822 PARTS BREAKDOWN



LIFTING CLAMPS



TH PART CODES FOR CM MODEL NUMBERS 694818 THROUGH 694822

REF	DESCRIPTION	694818	694819
		Part number	Part number
1	SHELL	5031.0700	5031.0701
2	MOVING JAW	5031.0704	5031.0704
3	LOAD CHAIN	5031.0716	5031.0716
4	TENSION SPRING	5031.0718	5031.0718
5	MASTER LINK	5031.0707	5031.0707
6	SPRING BOLT	5031.0720	5031.0720
7	PIN	5031.0721	5031.0721
8	SHACKLE PIN	5031.0712	5031.0712
9	PAD	5031.0713	5031.0713
10	PAD BOLT	5031.0722	5031.0722
11	ROLLER	5031.0710	5031.0710
12	SHELL BOLT & NUT	5031.0711	5031.0711

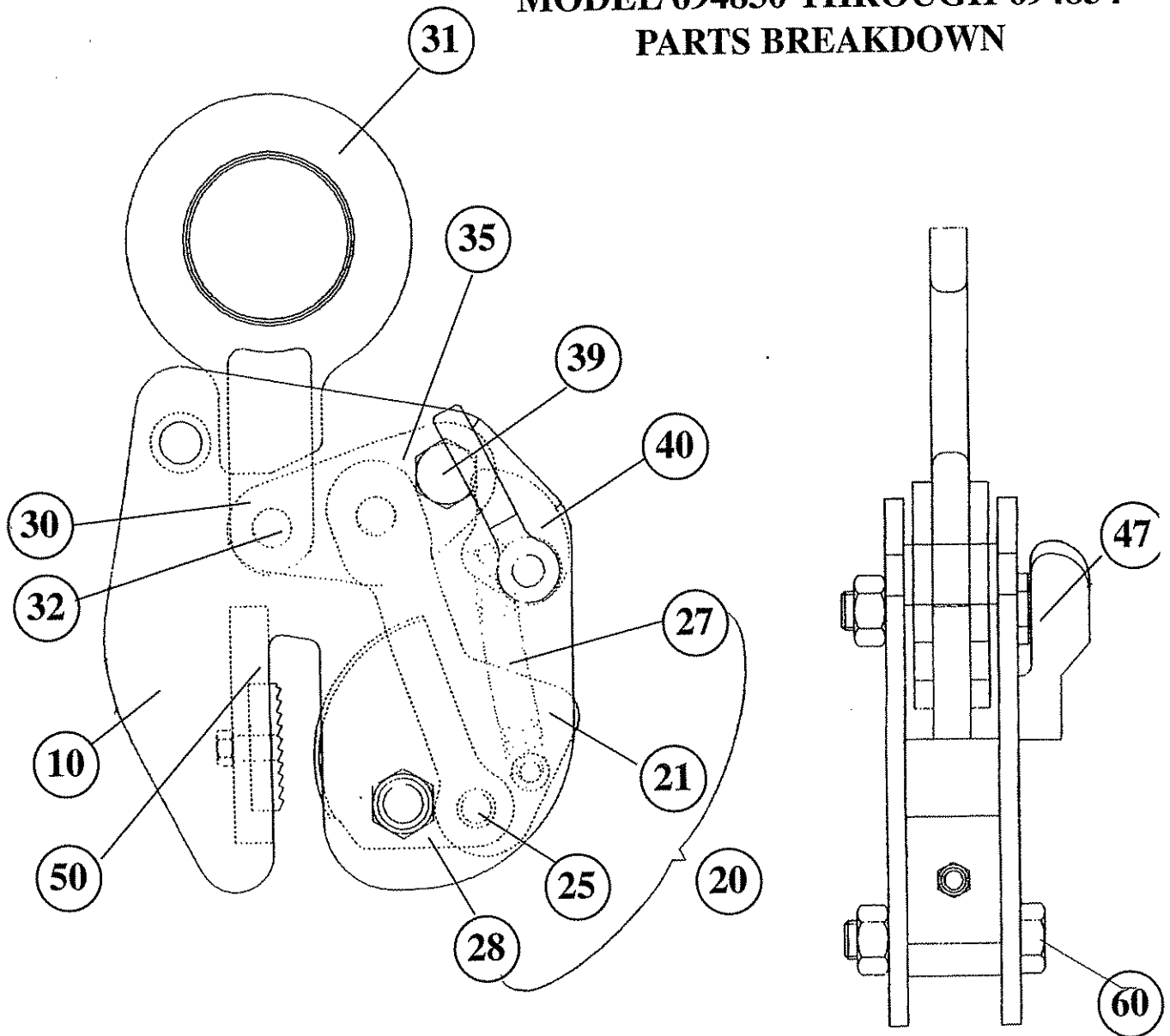
REF	DESCRIPTION	694820
		Part number
1	SHELL	5031.0702
2	MOVING JAW	5031.0705
3	LOAD CHAIN	5031.0717
4	TENSION SPRING	5031.0719
5	MASTER LINK	5031.0707
6	SPRING BOLT	5031.0720
7	PIN	5031.0721
8	SHACKLE PIN	5031.0712
9	PAD	5031.0714
10	PAD BOLT	5031.0722
11	ROLLER	5031.0710
12	SHELL BOLT & NUT	5031.0727

REF	DESCRIPTION	694821	694822
		Part number	Part number
1	SHELL PLATE	5031.0752	5031.0772
1	SHELL PLATE	5031.0751	5031.0771
2	MOVING JAW	5031.0755	5031.0775
3	LOAD CHAIN	5031.0750	5031.0770
4	TENSION SPRING	5031.0758	5031.0778
5	MASTER LINK	5031.0756	5031.0776
8	SHACKLE PIN	5031.0759	5031.0779
9	PAD	5031.0754	5031.0774
11	ROLLER	5031.0753	5031.0773
12	SHELL BOLT & NUT	5031.0761	5031.0781



HG HIGH GRIP UNIVERSAL CLAMP

MODEL 694830 THROUGH 694834 PARTS BREAKDOWN



- | | |
|-----------------------|-----------------------|
| 10) SHELL | 32) HOOKRING PIN |
| 20) INTERNAL ASSEMBLY | 35) LEVER ARM |
| 21) INTERNAL LINK | 39) PIVOT BOLT & NUT |
| 25) INTERNAL PIN | 40) CAM & LEVER |
| 27) SPRING | 47) LEVER ONLY |
| 28) JAW | 50) PAD & SCREWS |
| 30) HOOKRING ASSEMBLY | 60) JAW BOLT ASSEMBLY |
| 31) HOOKRING | |

LIFTING CLAMPS



HG PART CODES FOR CM MODEL NUMBERS 694830 THROUGH 694834

REF	DESCRIPTION	694830	694831
		Part number	Part number
10	SHELL	HG50-100	HG1-100
20	INTERNAL ASSEMBLY	CZ1-200	CZ3-200
21	INTERNAL LINK	CZ1-210	CZ3-210
25	INTERNAL PIN	CZ1-250	CZ3-250
27	SPRING	CZ1-270	CZ3-270
28	JAW	CZ1-280	CZ3-280
30	HOOKRING ASSEMBLY	HG50-300	HG1-300
31	HOOKRING	HG50-310	HG1-310
32	HOOKRING PIN	HG50-320	HG1-320
35	LEVER ARM	HG50-350	HG1-350
39	PIVOT BOLT & NUT	HG50-390	HG1-390
40	CAM ASSEMBLY & LEVER	CZ1-400	CZ3-400
47	LOCKING LEVER ONLY	CZ1-470	CZ3-470
50	PAD ASSEMBLY	CZ1-500	CZ3-500
60	JAW BOLT ASSEMBLY	CZ1-600	CZ3-600

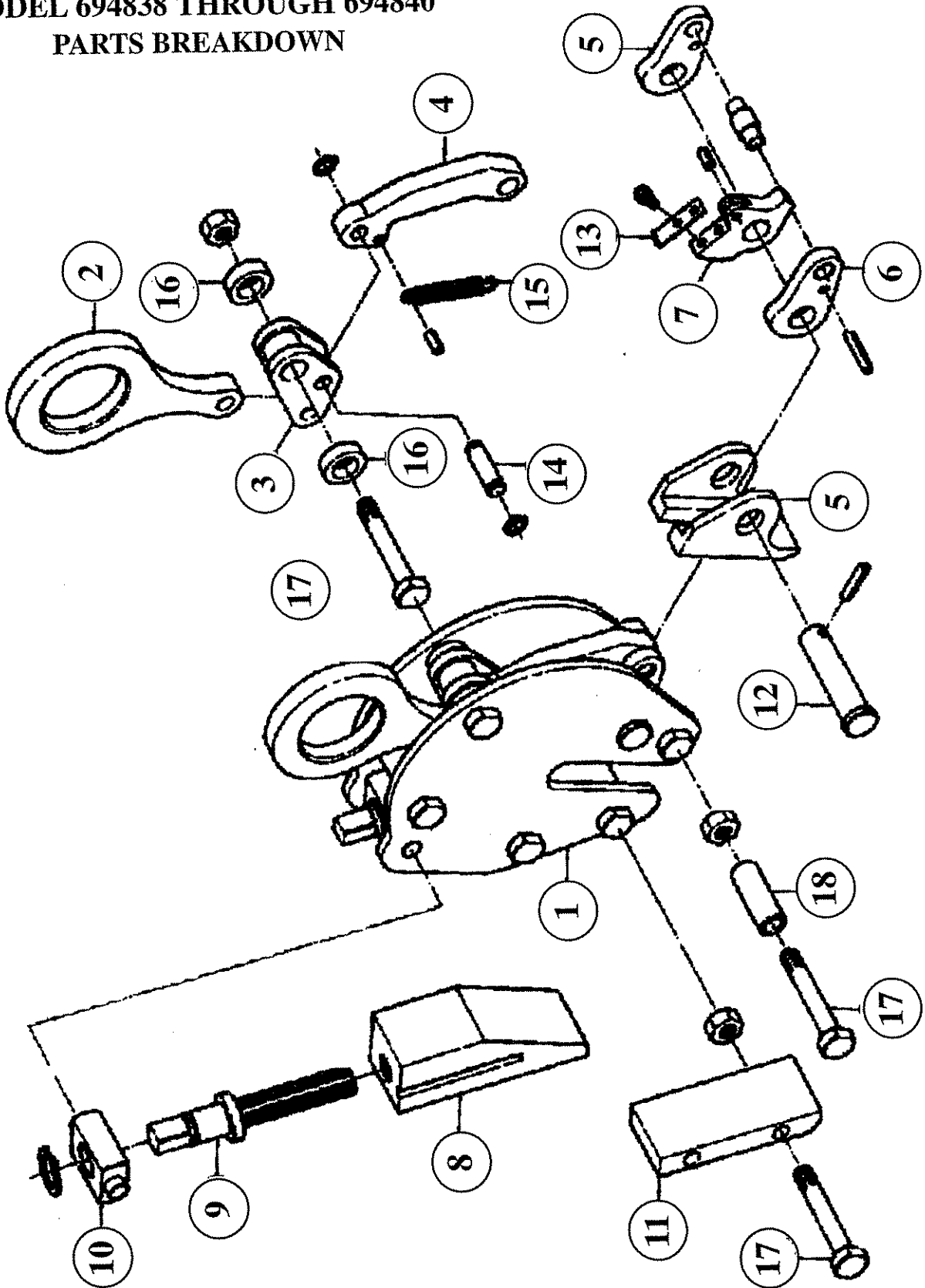
REF	DESCRIPTION	694832	694833
		Part number	Part number
10	SHELL WELDED ASSEMBLY	HG2-100	HG3-100
20	INTERNAL ASSEMBLY	HG3-200	HG3-200
21	INTERNAL LINK	HG3-210	HG3-210
25	INTERNAL PIN	CZ8-250	CZ8-250
27	SPRING	CZ8-270	CZ8-270
28	JAW	CZ6-280	CZ6-280
30	HOOKRING ASSEMBLY	HG3-300	HG3-300
31	HOOKRING	HG3-310	HG3-310
32	HOOKRING PIN	HG3-320	HG3-320
35	LEVER ARM	HG3-350	HG3-350
39	PIVOT BOLT & NUT	HG3-390	HG3-390
40	CAM ASSEMBLY & LEVER	CZ3-400	CZ3-400
47	LOCKING LEVER ONLY	CZ3-470	CZ3-470
50	PAD ASSEMBLY	CZ8-500	CZ8-500
60	JAW BOLT ASSEMBLY	CZ6-600	CZ6-600

REF	DESCRIPTION	694834
		Part number
10	SHELL WELDED ASSEMBLY	HG4-100
20	INTERNAL ASSEMBLY	HG4-200
21	INTERNAL LINK	HG4-210
25	INTERNAL PIN	CZ8-250
27	SPRING	CZ8-270
28	JAW	CZ8-280
30	HOOKRING ASSEMBLY	HG4-300
31	HOOKRING	HG4-310
32	HOOKRING PIN	HG4-320
35	LEVER ARM	HG4-350
39	PIVOT BOLT & NUT	HG4-390
40	CAM ASSEMBLY & LEVER	CZ3-400
47	LOCKING LEVER ONLY	CZ3-470
50	PAD ASSEMBLY	CZ8-500
60	JAW BOLT ASSEMBLY	CZ6-600



TSS GENTLE GRIP CLAMP

MODEL 694838 THROUGH 694840
PARTS BREAKDOWN



LIFTING CLAMPS



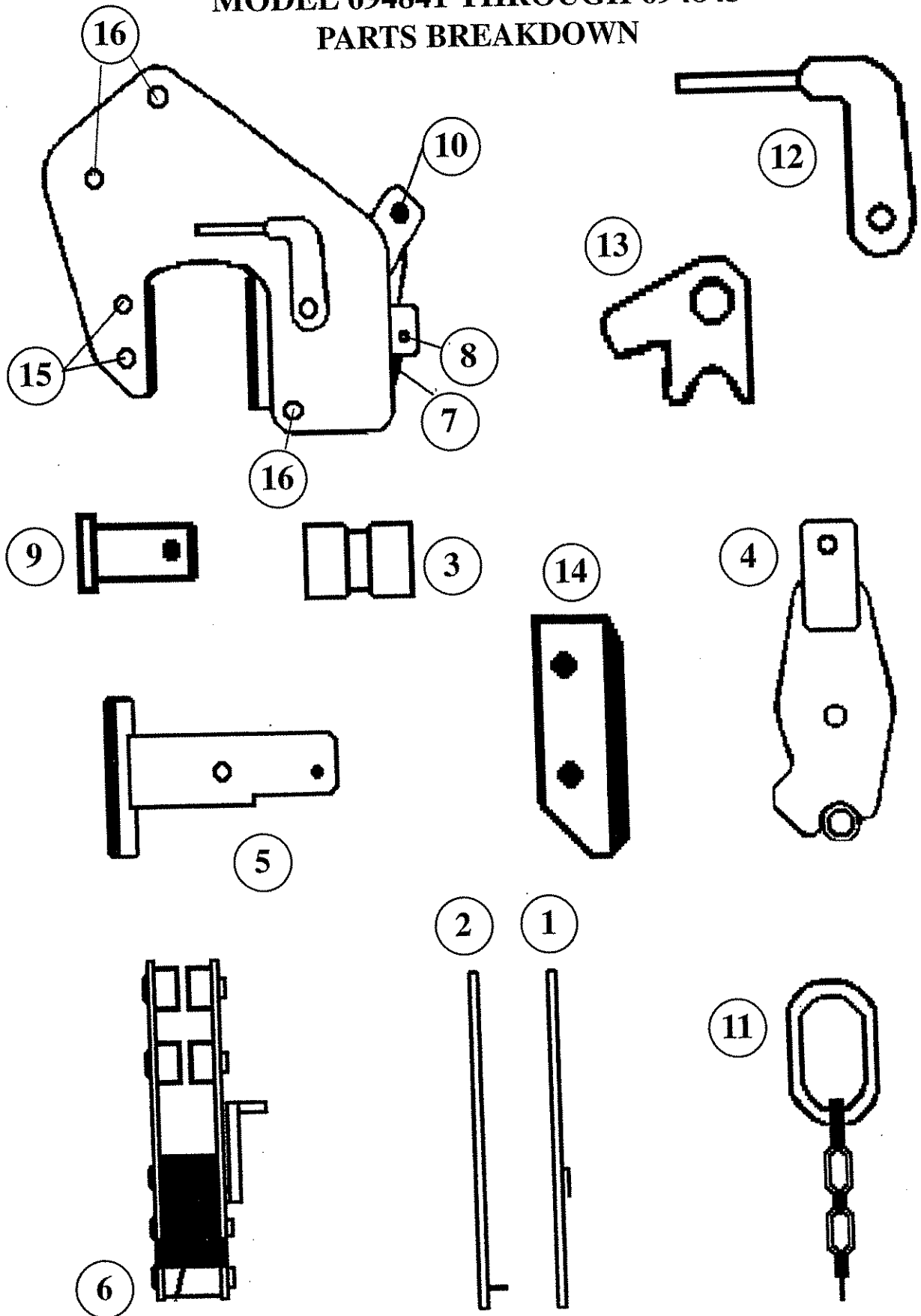
TSS PART CODES FOR CM MODEL NUMBERS 694838 THROUGH 694840

REF	DESCRIPTION	694838 Part number	694839 Part number	694840 Part number
2	HOOKRING	5131.2260	5131.2277	5131.2294
3	LEVER ARM	5131.2261	5131.2278	5131.2295
4	INTERNAL LINK	5131.2262	5131.2279	5131.2296
5	PAD	5131.2263	5131.2280	5131.2297
6	JAW CAM	5131.2264	5131.2281	5131.2298
7	TOOTHED JAW	5131.2265	5131.2282	5131.2299
8	JAW WEDGE	5131.2266	5131.2283	5131.2300
9	THREADED SPINDLE	5131.2267	5131.2284	5131.2301
10	SPINDLE HOLDER	5131.2268	5131.2285	5131.2302
11	WEDGE PLATE	5131.2269	5131.2286	5131.2303
12	PAD BOLT	5131.2270	5131.2287	5131.2304
13	SPRING LEAF	5131.2271	5131.2288	5131.2305
14	HOOKRING PIN	5131.2272	5131.2289	5131.2306
15	SPRING	5131.2273	5131.2290	5131.2307
16	ARM SPACER	5131.2274	5131.2291	5131.2308
17	SHELL BOLTS	5131.2275	5131.2292	5131.2309
18	SPACER TUBE	5131.2276	5131.2293	5131.2310



TSB WIDE JAW GENTLE GRIP CLAMP

MODEL 694841 THROUGH 694843 PARTS BREAKDOWN



LIFTING CLAMPS



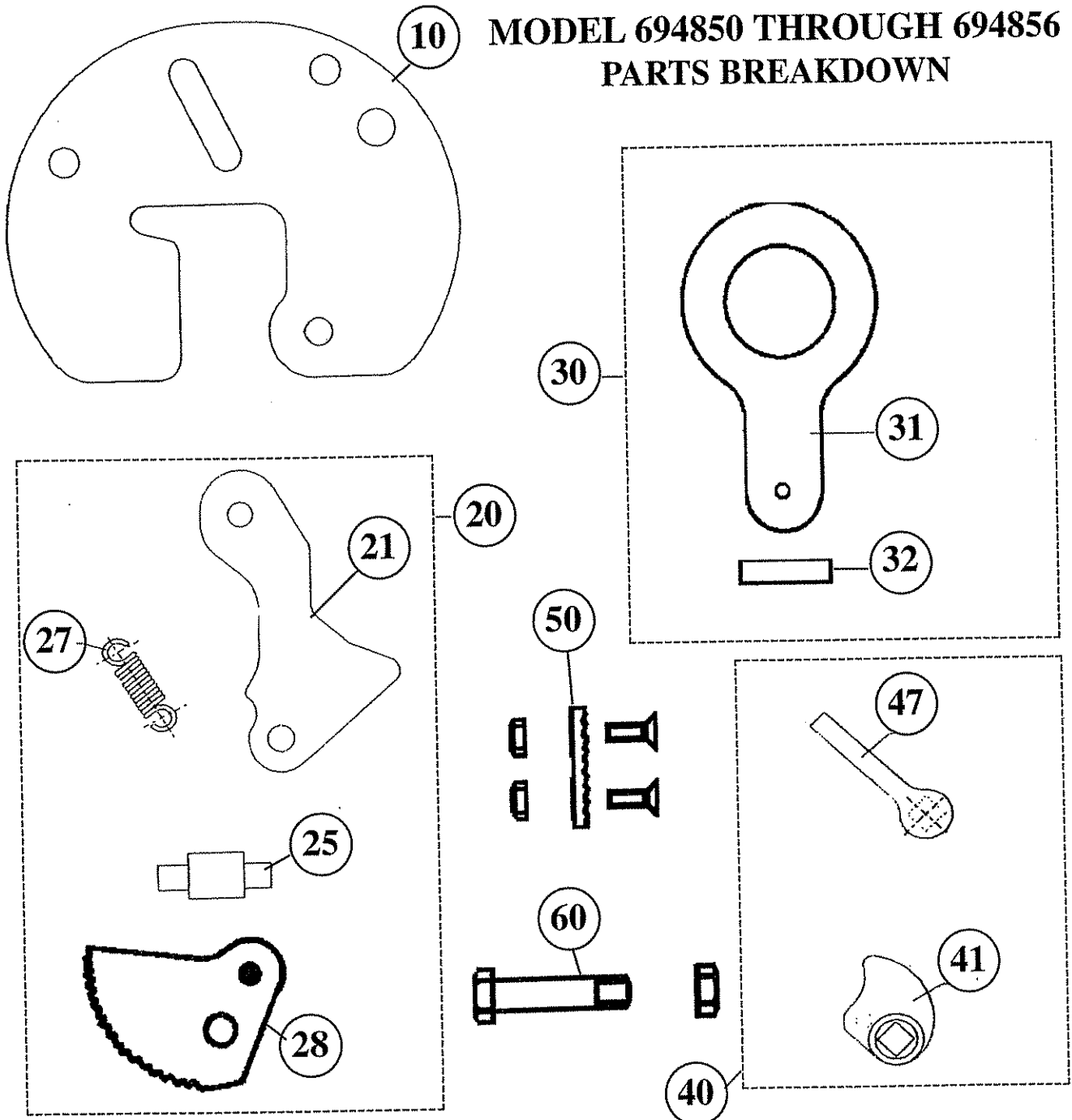
TSB PART CODES FOR CM MODEL NUMBERS 694841 THROUGH 694843

REF	DESCRIPTION	694841 Part number	694842 Part number	694843 Part number
1	SHELL PLATE HANDLE SIDE	5121.2210	5121.2228	5121.2232
2	SHELL PLATE	5121.2211	5121.2229	5121.2233
3	ROLLER	5121.2212	5121.2230	5121.2234
4	JAW ARM	5121.2213	5121.2213	5121.2213
5	JAW	5121.2214	5121.2214	5121.2214
6	TORSION SPRING	5121.2215	5121.2215	5121.2215
7	BALANCE SPRING (TENSION)	5121.2216	5121.2216	5121.2216
8	SPRING PLATE	5121.2217	5121.2217	5121.2217
9	JAW PIN & SPLIT PIN	5121.2218	5121.2218	5121.2218
10	CHAIN PIN	5121.2219	5121.2219	5121.2219
11	LOAD CHAIN & MASTER LINK	5121.2220	5121.2231	5121.2235
12	LOCKING HANDLE	5121.2221	5121.2221	5121.2221
13	CAM PLATE	5121.2222	5121.2222	5121.2222
14	FIXED PAD	5121.2223	5121.2223	5121.2223
15	SHELL BOLT	5121.2224	5121.2224	5121.2224
16	SHELL SPACER TUBE	5121.2225	5121.2225	5121.2225
17	FRICITION LINING FOR FIXED JAW	5121.2226	5121.2226	5121.2226
18	FRICITION LINING FOR MOVING JAW	5121.2227	5121.2227	5121.2227



CT CHANNEL SECTION CLAMP

MODEL 694850 THROUGH 694856 PARTS BREAKDOWN



- 10) SHELL
- 20) INTERNAL ASSEMBLY
- 21) INTERNAL LINK
- 25) INTERNAL PIN
- 27) SPRING
- 28) JAW
- 30) HOOKRING ASSEMBLY

- 31) HOOKRING
- 32) HOOKRING PIN
- 40) CAM & HANDLE
- 47) HANDLE
- 50) PAD & SCREWS
- 60) JAW BOLT ASSEMBLY

LIFTING CLAMPS



CT PART CODES FOR CM MODEL NUMBERS 694850 THROUGH 695856

REF	DESCRIPTION	694850 Part number	694851 Part number
10	SHELL WELDED ASSEMBLY	CT75-100	CT15-100
20	INTERNAL ASSEMBLY	CT75-200	CT3-200
21	INTERNAL LINK	CT75-210	CT3-210
25	INTERNAL PIN	CT75-250	CZ3-250
27	SPRING	CZ1-270	CZ3-270
28	JAW	CT75-280	CT3-280
30	HOOKRING ASSEMBLY	CT75-300	CZ2-300
31	HOOKRING	CZ1-310	CZ2-310
32	HOOKRING PIN	CT75-320	CZ3-320
40	CAM ASSEMBLY & LEVER	CZ1-400	CZ3-400
47	LOCKING LEVER ONLY	CZ1-470	CZ3-470
50	PAD ASSEMBLY	CZ1-500	CT3-500
60	JAW BOLT ASSEMBLY	CT75-600	CZ3-600

REF	DESCRIPTION	694852 Part number	694853 Part number
10	SHELL WELDED ASSEMBLY	CT3-100	CT4-100
20	INTERNAL ASSEMBLY	CT3-200	CT4-200
21	INTERNAL LINK	CT3-210	CT6-210
25	INTERNAL PIN	CZ3-250	CZ8-250
27	SPRING	CZ3-270	CZ3-270
28	JAW	CT3-280	CT4-280
30	HOOKRING ASSEMBLY	CZ3-300	CT4-300
31	HOOKRING	CZ3-310	CZ4-310
32	HOOKRING PIN	CZ3-320	CZ8-320
40	CAM ASSEMBLY & LEVER	CZ3-400	CZ3-400
47	LOCKING LEVER ONLY	CZ3-470	CZ3-470
50	PAD ASSEMBLY	CT3-500	CZ6-500
60	JAW BOLT ASSEMBLY	CZ3-600	CT4-600

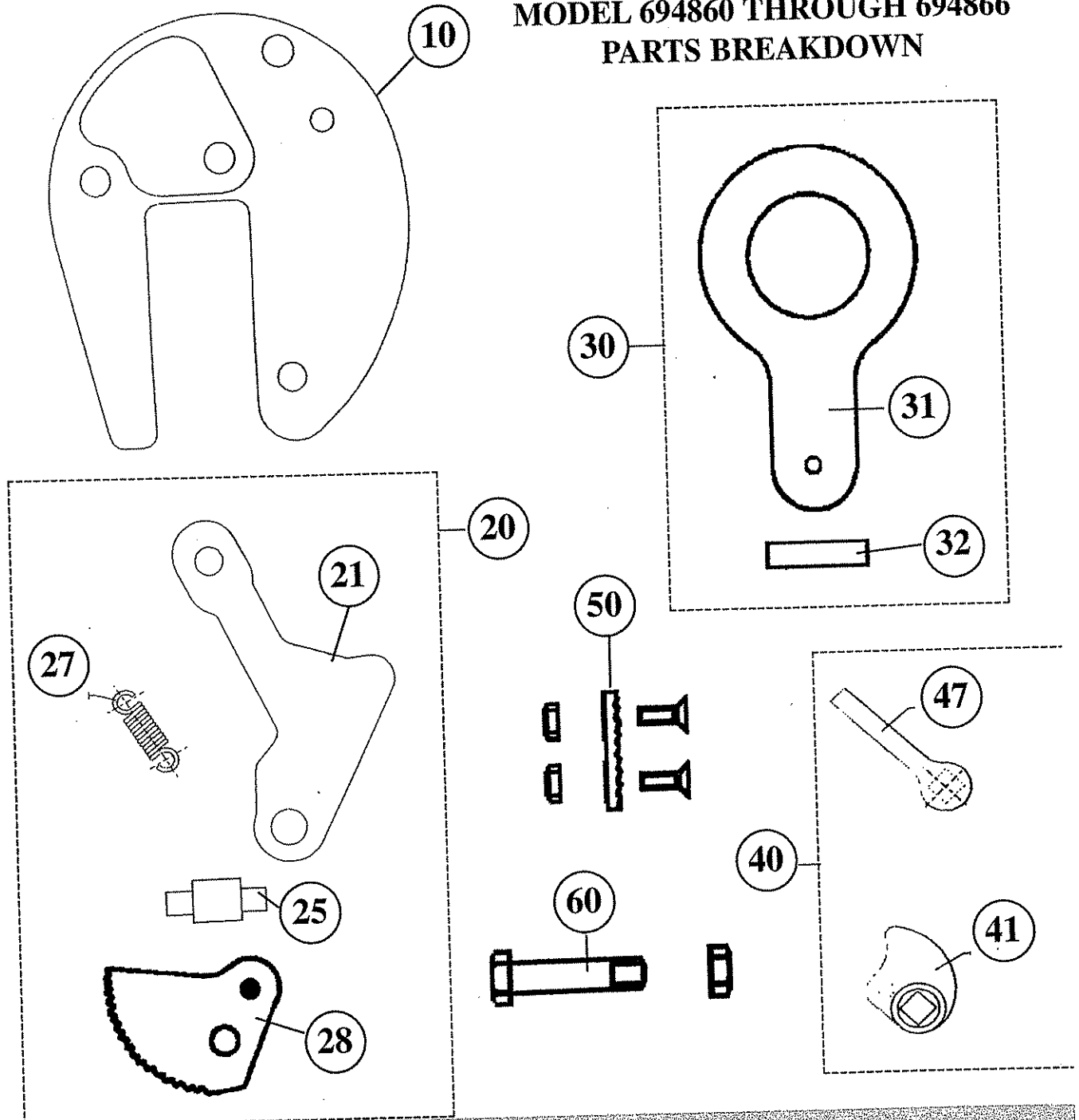
REF	DESCRIPTION	694854 Part number	694855 Part number
10	SHELL WELDED ASSEMBLY	CT6-100	CT8-100
20	INTERNAL ASSEMBLY	CT6-200	CT10-200
21	INTERNAL LINK	CT6-210	CT10-210
25	INTERNAL PIN	CZ8-250	CZ10-250
27	SPRING	CZ3-270	CZ10-270
28	JAW	CT6-280	CT10-280
30	HOOKRING ASSEMBLY	CT6-300	CZ10-300
31	HOOKRING	CZ6-310	CZ10-310
32	HOOKRING PIN	CT6-320	CZ10-320
40	CAM ASSEMBLY & LEVER	CZ3-400	CZ10-400
47	LOCKING LEVER ONLY	CZ3-470	CZ10-470
50	PAD ASSEMBLY	CZ6-500	CZ10-500
60	JAW BOLT ASSEMBLY	CT6-600	CZ10-600

REF	DESCRIPTION	694856 Part number
10	SHELL WELDED ASSEMBLY	CT10-100
20	INTERNAL ASSEMBLY	CT10-200
21	INTERNAL LINK	CT10-210
25	INTERNAL PIN	CZ10-250
27	SPRING	CZ10-270
28	JAW	CT10-280
30	HOOKRING ASSEMBLY	CZ10-300
31	HOOKRING	CZ10-310
32	HOOKRING PIN	CZ10-320
40	CAM ASSEMBLY & LEVER	CZ10-400
47	LOCKING LEVER ONLY	CZ10-470
50	PAD ASSEMBLY	CZ10-500
60	JAW BOLT ASSEMBLY	CZ10-600



CB HEAVY DUTY BULB SECTION CLAMP

MODEL 694860 THROUGH 694866 PARTS BREAKDOWN



- 10) SHELL
- 20) INTERNAL ASSEMBLY
- 21) INTERNAL LINK
- 25) INTERNAL PIN
- 27) SPRING
- 28) JAW
- 30) HOOKRING ASSEMBLY

- 31) HOOKRING
- 32) HOOKRING PIN
- 40) CAM & HANDLE
- 47) HANDLE
- 50) PAD & SCREWS
- 60) JAW BOLT ASSEMBLY

LIFTING CLAMPS



CB PART CODES FOR CM MODEL NUMBERS 694860 THROUGH 694866

REF	DESCRIPTION	694860	694861
		Part number	Part number
10	SHELL WELDED ASSEMBLY	CB75-100	CB15-100
20	INTERNAL ASSEMBLY	CB75-200	CB15-200
21	INTERNAL LINK	CB75-210	CB15-210
25	INTERNAL PIN	CZ1-250	CZ3-250
27	SPRING	CZ1-270	CZ3-270
28	JAW	CB75-280	CB15-280
30	HOOKRING ASSEMBLY	CZ1-300	CZ2-300
31	HOOKRING	CZ1-310	CZ2-310
32	HOOKRING PIN	CZ1-320	CZ3-320
40	CAM ASSEMBLY & LEVER	CZ1-400	CZ3-400
47	LOCKING LEVER ONLY	CZ1-470	CZ3-470
50	PAD ASSEMBLY	CB75-500	CB15-500
60	JAW BOLT ASSEMBLY	CZ1-600	CZ3-600

REF	DESCRIPTION	694862	694863
		Part number	Part number
10	SHELL WELDED ASSEMBLY	CB3-100	CB4-100
20	INTERNAL ASSEMBLY	CB3-200	CB6-200
21	INTERNAL LINK	CB3-210	CB6-210
25	INTERNAL PIN	CZ8-250	CZ8-250
27	SPRING	CZ8-270	CZ8-270
28	JAW	CB3-280	CB6-280
30	HOOKRING ASSEMBLY	CZ6-300	CZ6-300
31	HOOKRING	CZ6-310	CZ6-310
32	HOOKRING PIN	CZ6-320	CZ6-320
40	CAM ASSEMBLY & LEVER	CZ8-400	CZ8-400
47	LOCKING LEVER ONLY	CZ8-470	CZ8-470
50	PAD ASSEMBLY	CB3-500	CB6-500
60	JAW BOLT ASSEMBLY	CZ6-600	CZ6-600

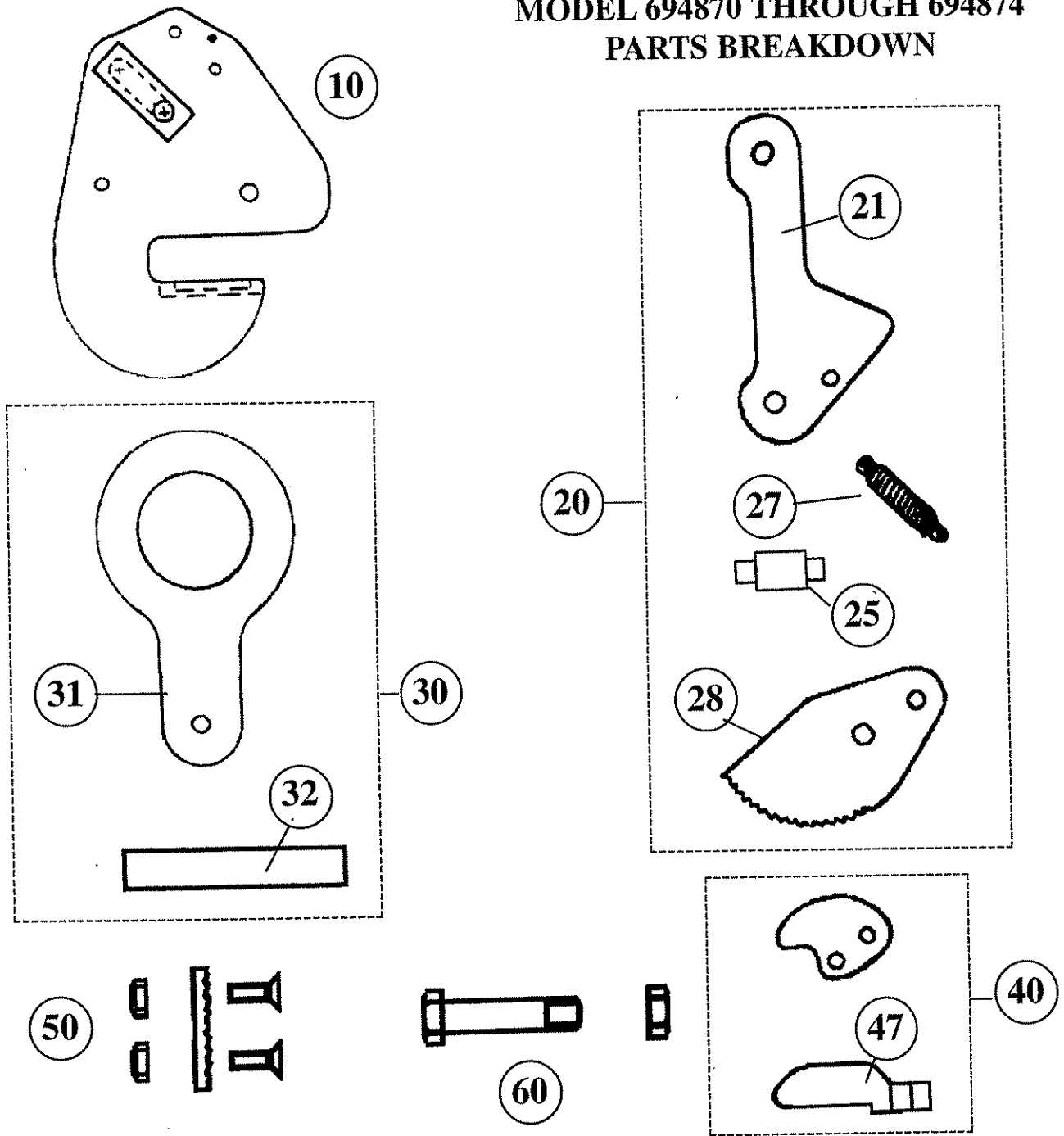
REF	DESCRIPTION	694864	694865
		Part number	Part number
10	SHELL WELDED ASSEMBLY	CB6-100	CB8-100
20	INTERNAL ASSEMBLY	CB6-200	CB10-200
21	INTERNAL LINK	CB6-210	CB10-210
25	INTERNAL PIN	CZ8-250	CZ15-250
27	SPRING	CZ8-270	CZ15-270
28	JAW	CB6-280	CB10-280
30	HOOKRING ASSEMBLY	CZ6-300	CB10-300
31	HOOKRING	CZ6-310	CB10-310
32	HOOKRING PIN	CZ8-320	CB10-320
40	CAM ASSEMBLY & LEVER	CZ8-400	CZ15-400
47	LOCKING LEVER ONLY	CZ8-470	CZ15-470
50	PAD ASSEMBLY	CB6-500	CB10-500
60	JAW BOLT ASSEMBLY	CZ6-600	CZ10-600

REF	DESCRIPTION	694866
		Part number
10	SHELL WELDED ASSEMBLY	CB10-100
20	INTERNAL ASSEMBLY	CB10-200
21	INTERNAL LINK	CB10-210
25	INTERNAL PIN	CZ15-250
27	SPRING	CZ15-270
28	JAW	CB10-280
30	HOOKRING ASSEMBLY	CB10-300
31	HOOKRING	CB10-310
32	HOOKRING PIN	CB10-320
40	CAM ASSEMBLY & LEVER	CZ15-400
47	LOCKING LEVER ONLY	CZ15-470
50	PAD ASSEMBLY	CB10-500
60	JAW BOLT ASSEMBLY	CZ10-600



CG HEAVY DUTY GIRDER CLAMP

MODEL 694870 THROUGH 694874 PARTS BREAKDOWN



- 10) SHELL WELDED ASSEMBLY
- 20) INTERNAL ASSEMBLY
- 21) INTERNAL LINK
- 25) INTERNAL PIN
- 27) SPRING
- 28) JAW
- 30) HOOKRING ASSEMBLY
- 31) HOOKRING
- 32) HOOKRING PIN
- 40) CAM ASSEMBLY
- 47) HANDLE
- 50) PAD ASSEMBLY
- 60) JAW BOLT ASSEMBLY

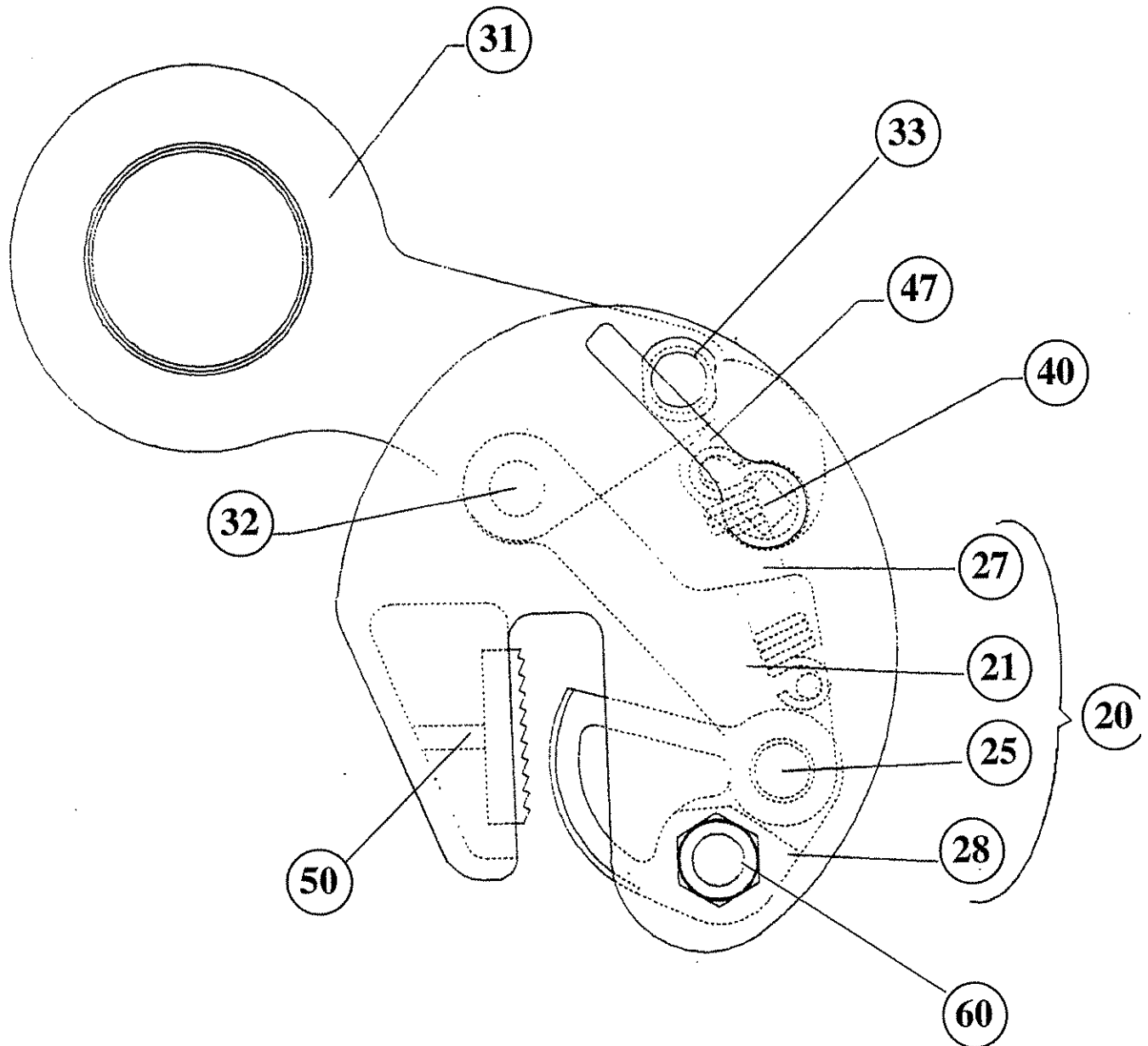
LIFTING CLAMPS



CG PART CODES FOR CM MODEL NUMBERS 694870 THROUGH 694874

REF	DESCRIPTION	694870 Part number	694871 Part number	694872 Part number
10	SHELL WELDED ASSEMBLY	CG1-100	CG2-100	CG4-100
20	INTERNAL ASSEMBLY	CG1-200	CG2-200	CG4-200
21	INTERNAL LINK	CZ1-210	CZ3-210	CG4-210
25	INTERNAL PIN	CZ1-250	CZ3-250	CG4-250
27	SPRING	CZ1-270	CZ3-270	CZ3-270
28	JAW	CG1-280	CG2-280	CG4-280
30	HOOKRING ASSEMBLY	CZ1-300	CZ3-300	CG4-300
31	HOOKRING	CZ1-310	CZ3-310	CG4-310
32	HOOKRING PIN	CZ1-320	CZ3-320	CG4-320
40	CAM ASSEMBLY	921-400	922-400	CG4-400
47	HANDLE	921-470	923-470	CG4-470
50	PAD ASSEMBLY	CZ1-500	CZ3-500	CG4-500
60	JAW BOLT ASSEMBLY	CZ1-600	CZ3-600	CG4-600

REF	DESCRIPTION	694873 Part number	694874 Part number
10	SHELL WELDED ASSEMBLY	CG6-100	CG8-100
20	INTERNAL ASSEMBLY	CG8-200	CG8-200
21	INTERNAL LINK	CG8-210	CG8-210
25	INTERNAL PIN	CG8-250	CG8-250
27	SPRING	CG8-270	CG8-270
28	JAW	CG8-280	CG8-280
30	HOOKRING ASSEMBLY	CG6-300	CG8-300
31	HOOKRING	CG6-310	CG8-310
32	HOOKRING PIN	CG6-320	CG8-320
40	CAM ASSEMBLY	CG8-400	CG8-400
47	HANDLE	CG8-470	CG8-470
50	PAD ASSEMBLY	CG8-500	CG8-500
60	JAW BOLT ASSEMBLY	CG8-600	CG8-600

**MODEL 694875 THROUGH 694877
PARTS BREAKDOWN**

10) SHELL

20) INTERNAL ASSEMBLY

21) INTERNAL LINK

25) INTERNAL PIN

27) SPRING

28) JAW

30) HOOKRING ASSEMBLY
(NOT SHOWN)

31) HOOKRING

32) HOOKRING PIN

33) PIVOT BOLT & NUT

40) CAM & LEVER

47) LEVER ONLY

50) PAD & SCREWS

60) JAW BOLT ASSEMBLY

LIFTING CLAMPS



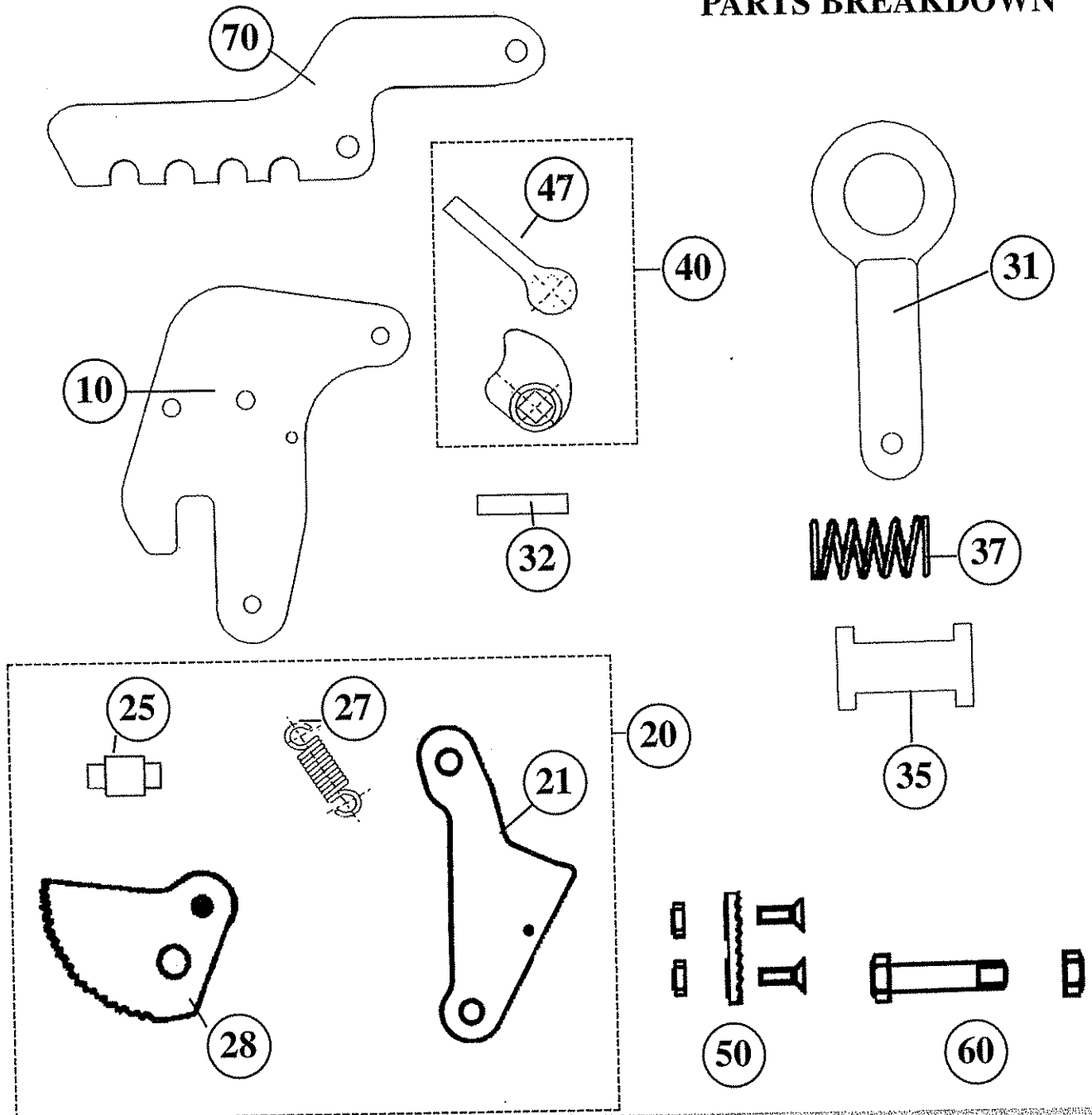
TTR PART CODES FOR CM MODEL NUMBERS 694875 THROUGH 694877

REF	DESCRIPTION	694875 Part number	694876 Part number	694877 Part number
10	SHELL	TTR0.75-100	TTR1.5-100	TTR3-100
20	INTERNAL ASSEMBLY	921-200	CZ3-200	TTR3-200
21	INTERNAL LINK	N/A	CZ3-210	TTR3-210
25	INTERNAL PIN	N/A	CZ3-250	CZ8-250
27	SPRING	921-270	CZ3-270	CZ3-270
28	JAW	N/A	CZ3-280	TTR3-280
30	HOOKRING ASSEMBLY	TTR0.75-300	TTR1.5-300	TTR3-300
31	HOOKRING	TTR0.75-310	TTR1.5-310	TTR3-310
32	HOOKRING PIN	TTR0.75-320	TTR1.5-320	TTR3-320
33	PIVOT NUT & BOLT	TTR0.75-330	TTR1.5-330	TTR3-330
40	CAM	921-400	923-400	923-400
47	HANDLE & PIN	921-470	923-470	923-470
50	PAD ASSEMBLY	CZ1-500	CZ3-500	CZ8-500
60	JAW BOLT ASSEMBLY	TTR0.75-600	CZ3-600	CZ6-600



GS GIRDER STACKING CLAMP

MODEL 694880, 694881 PARTS BREAKDOWN



- | | |
|---------------------------|---------------------------|
| 10) SHELL WELDED ASSEMBLY | 37) SPRING COMPRESSION |
| 20) INTERNAL ASSEMBLY | 40) CAM & LEVER |
| 21) INTERNAL LINK | 47) LEVER ONLY |
| 25) INTERNAL PIN | 50) PAD & SCREWS |
| 31) HOOKRING | 60) JAW BOLT ASSEMBLY |
| 32) HOOKRING PIN | 70) ADJUSTER ARM ASSEMBLY |
| 35) SPRING PLATE | |

LIFTING CLAMPS



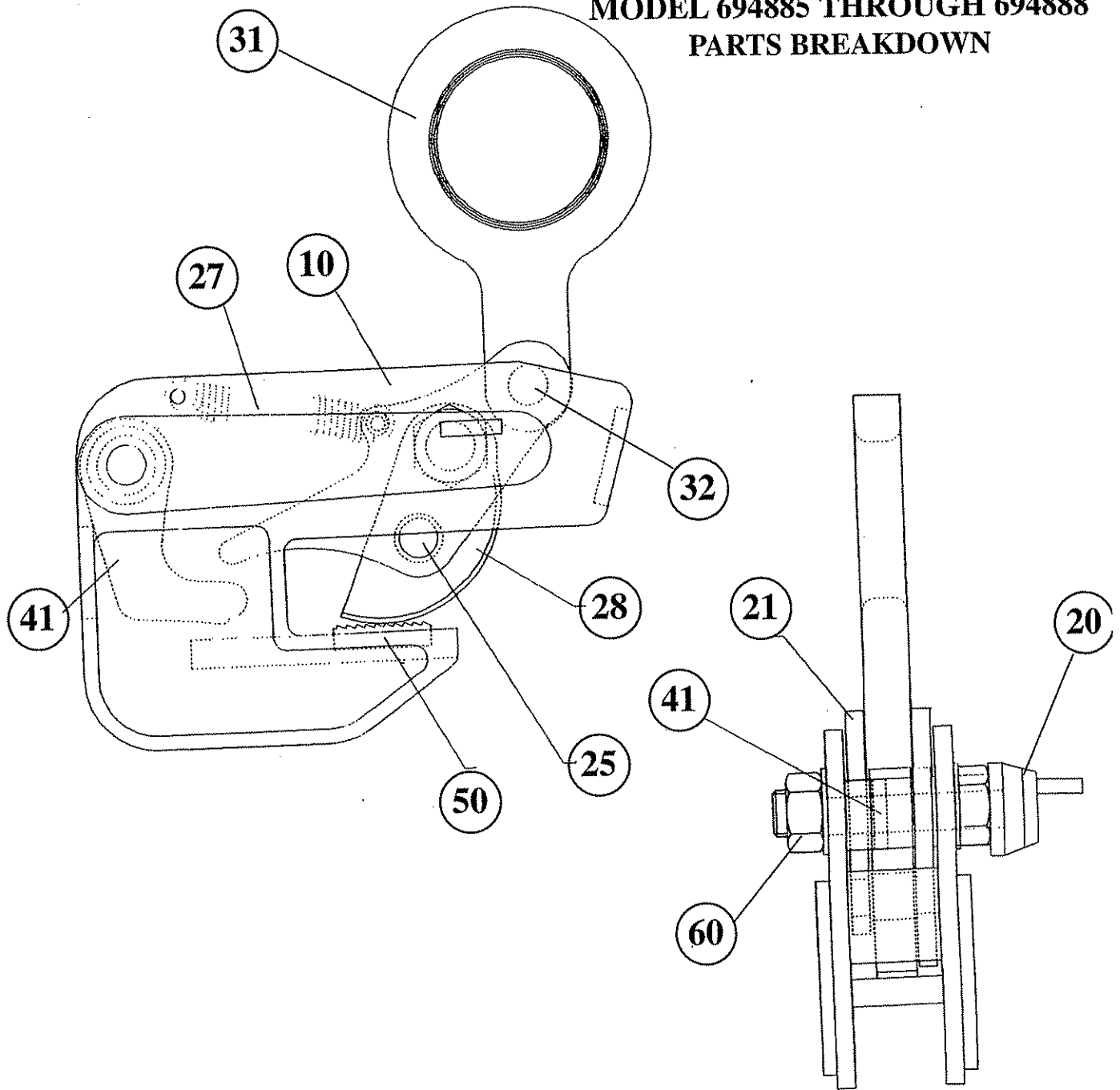
GS PART CODES FOR CM MODEL NUMBERS 694880 & 694881

REF	DESCRIPTION	694880 Part number	694881 Part number
10	SHELL WELDED ASSEMBLY	GS50-100	GS1-100
20	INTERNAL ASSEMBLY	GS50-200	GS1-200
21	INTERNAL LINK	GS50-210	GS1-210
25	INTERNAL PIN	CZ1-250	GS1-250
31	HOOKRING	GS50-310	GS1-310
32	HOOKRING PIN	GS50-320	GS1-320
35	SPRING PLATE	GS50-350	GS1-350
37	SPRING COMPRESSION	MKVA-270	GS1-370
40	CAM ASSEMBLY	CZ1-400	CZ3-400
47	LOCKING LEVER ONLY	CZ1-470	CZ3-470
50	PAD ASSEMBLY	CZ1-500	CZ3-500
60	JAW BOLT ASSEMBLY	CZ1-600	CZ3-600
70	ADJUSTER ARM ASSEMBLY	GS50-700	GS1-700



TTG HORIZONTAL GIRDER CLAMP

MODEL 694885 THROUGH 694888
PARTS BREAKDOWN



10) SHELL WELDED ASSEMBLY

20) INTERNAL ASSEMBLY

21) INTERNAL LINK

25) INTERNAL PIN

27) SPRING

28) JAW

31) HOOKRING

32) HOOKRING PIN

41) CAM

47) LEVER

50) PAD & SCREWS

60) JAW BOLT ASSEMBLY

LIFTING CLAMPS



TTG PART CODES FOR CM MODEL NUMBERS 694885 THROUGH 694888

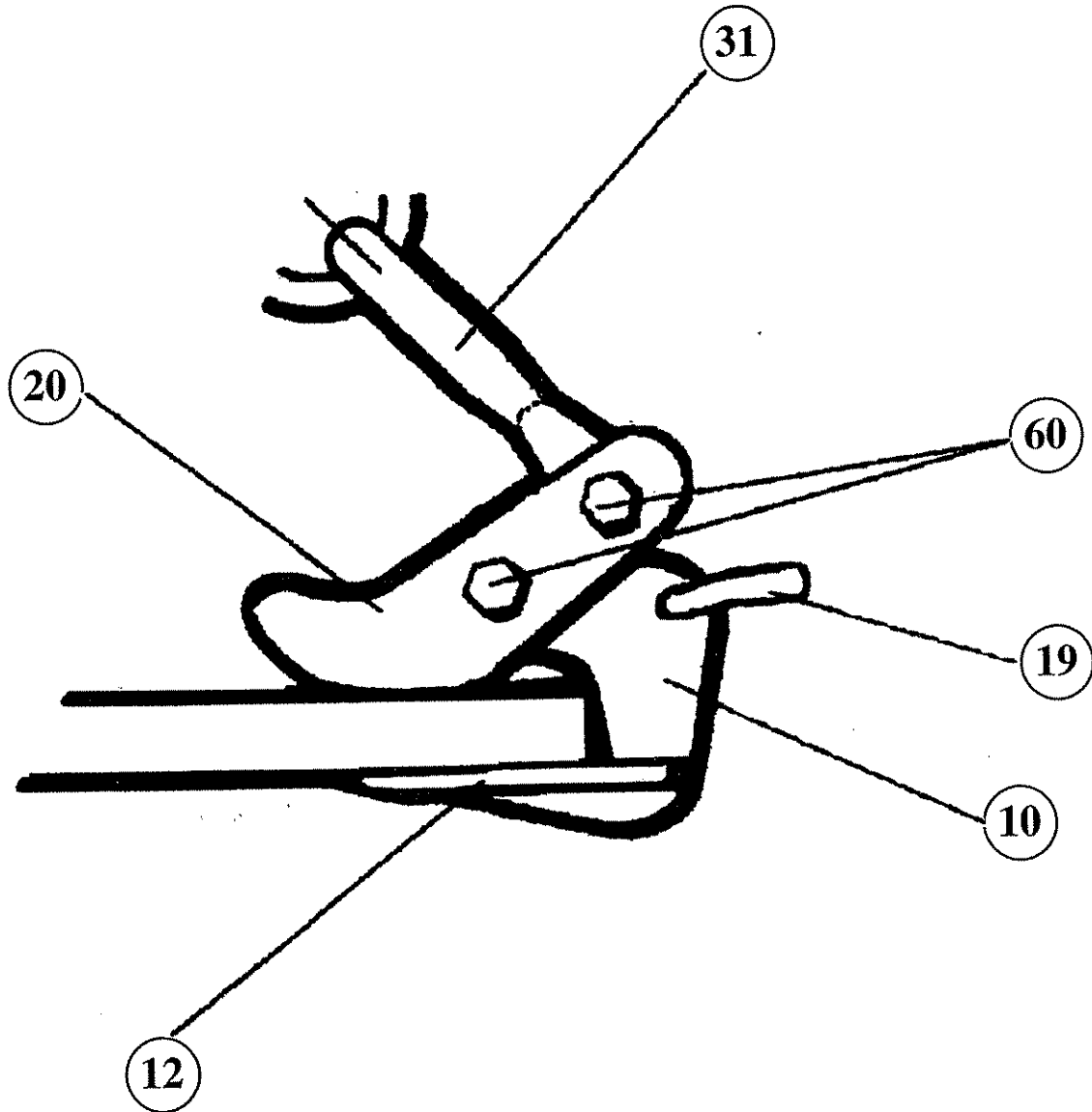
REF	DESCRIPTION	694885 Part number	694886 Part number
10	SHELL WELDED ASSEMBLY	TTG1.5-100	TTG3-100
20	INTERNAL ASSEMBLY	TTG1.5-200	TTG3-200
21	INTERNAL LINK	TTG1.5-210	TTG3-210
25	INTERNAL PIN	CZ3-250	TTG3-250
27	SPRING	CZ3-270	CZ8-270
28	JAW	TTG1.5-280	TTG3-280
31	HOOKRING	CZ2-310	TTG3-310
32	HOOKRING PIN	TTG1.5-320	TTG3-320
41	CAM	TTG1.5-410	TTG3-410
47	LOCKING LEVER ONLY	TTG1.5-470	TTG3-470
50	PAD ASSEMBLY	CZ1-500	CZ1-500
60	JAW BOLT ASSEMBLY	CZ3-600	TTG3-600

REF	DESCRIPTION	694887 Part number	694888 Part number
10	SHELL WELDED ASSEMBLY	TTG4.5-100	TTG7.5-100
20	INTERNAL ASSEMBLY	TTG4.5-200	TTG7.5-200
21	INTERNAL LINK	TTG4.5-210	TTG7.5-210
25	INTERNAL PIN	CZ8-250	CZ8-250
27	SPRING	CZ8-270	CZ8-270
28	JAW	TTG4.5-280	TTG7.5-280
31	HOOKRING	TTG4.5-310	TTG7.5-310
32	HOOKRING PIN	TTG4.5-320	TTG7.5-320
41	CAM	TTG4.5-410	TTG7.5-410
47	LOCKING LEVER ONLY	TTG4.5-470	TTG7.5-470
50	PAD ASSEMBLY	TTG4.5-500	TTG7.5-500
60	JAW BOLT ASSEMBLY	CZ6-600	CZ8-600



CH & HH HORIZONTAL PLATE CLAMP

MODEL 694890 THROUGH 694899, 695240 THROUGH 695242 PARTS BREAKDOWN



- 10) BODY ASSEMBLY
- 12) TOE PLATE
- 19) HANDLE WHEN FITTED
- 20) JAWS (PAIR)
- 31) SHACKLE
- 60) BOLTS AND NUTS (PAIR)

LIFTING CLAMPS



CH & HH PART CODES FOR CM MODEL NUMBERS 694890 THROUGH 694899, 695240 THROUGH 695242

REF	DESCRIPTION	695240 Part number	695241 Part number
10	BODY ASSEMBLY	CH1-100	CH2-100
12	TOE PLATE	CH2-120	CH2-120
20	JAWS	CH1-200	CH2-200
31	SHACKLE	651620	CH2-310
60	PAIR BOLTS & NUTS	CH1-600	CH4-600

REF	DESCRIPTION	695242 Part number	694890 Part number
10	BODY ASSEMBLY	CH2/L-100	CH4-100
12	TOE PLATE	CH2-120	CH4-120
20	JAWS	CH2-200	CH4-200
31	SHACKLE	CH2-310	CH4-310
60	PAIR BOLTS & NUTS	CH4-600	CH4-600

REF	DESCRIPTION	694891 Part number	694892 Part number
10	BODY ASSEMBLY	CH4/L-100	CH6-100
12	TOE PLATE	CH4-120	CH6-120
19	HANDLE	N/A	CH8-190
20	JAWS	CH4/L-200	CH6-200
31	SHACKLE	CH4-310	CH8-310
60	PAIR BOLTS & NUTS	CH4-600	CH6-600

REF	DESCRIPTION	694893 Part number	694894 Part number
10	BODY ASSEMBLY	CH6/L-100	CH8-100
12	TOE PLATE	CH6-120	CH8-120
19	HANDLE	CH8-190	CH8-190
20	JAWS	CH6/L-200	CH8-200
31	SHACKLE	CH8-310	CH8-310
60	PAIR BOLTS & NUTS	CH6-600	CH8-600

REF	DESCRIPTION	694895 Part number	694896 Part number
10	BODY ASSEMBLY	CH8/L-100	HH8-100
12	TOE PLATE	CH8-120	HH8-120
19	HANDLE	CH8-190	HH8-190
20	JAWS	CH8/L-200	HH8-200
31	SHACKLE	CH8-310	HH8-310
60	PAIR BOLTS & NUTS	CH8-600	HH8-600

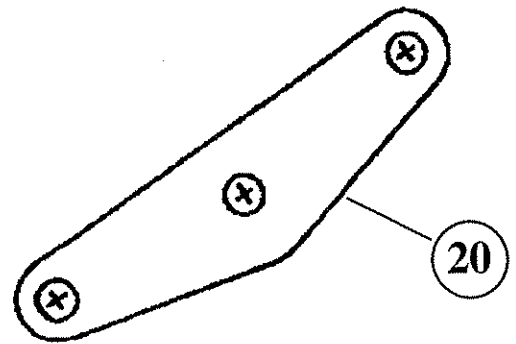
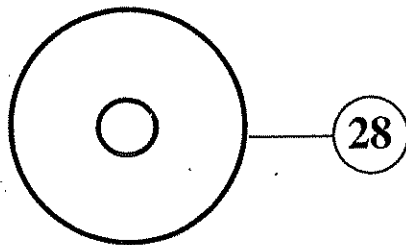
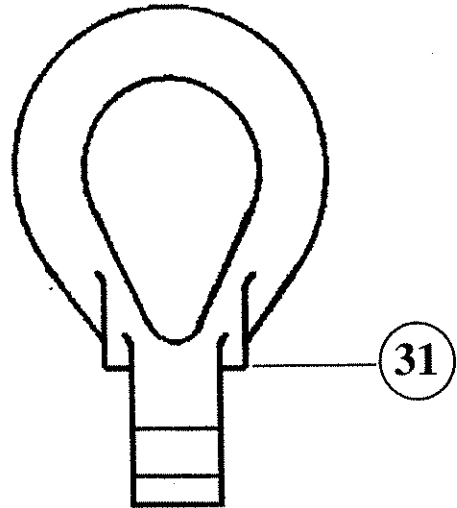
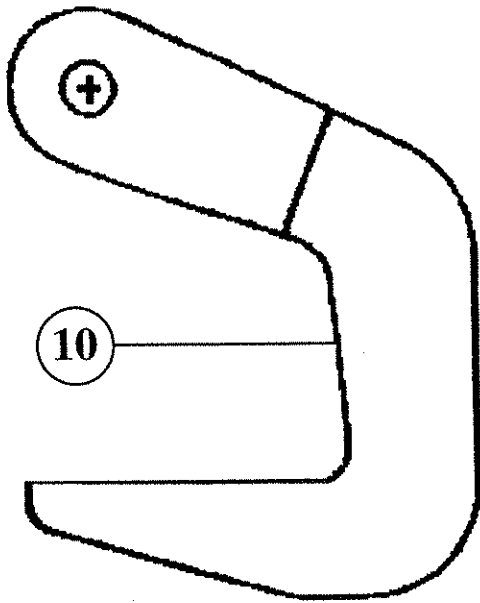
REF	DESCRIPTION	694897 Part number	694898 Part number
10	BODY ASSEMBLY	HH8/L-100	CH10-100
12	TOE PLATE	HH8-120	CH10-120
19	HANDLE	HH8-190	CH10-190
20	JAWS	HH8/L-200	CH10-200
31	SHACKLE	HH8-310	CH10-310
60	PAIR BOLTS & NUTS	HH8-600	CH10-600

REF	DESCRIPTION	694899 Part number
10	BODY ASSEMBLY	CH10/L-100
12	TOE PLATE	CH10-120
19	HANDLE	CH10-190
20	JAWS	CH10/L-200
31	SHACKLE	CH10-310
60	PAIR BOLTS & NUTS	CH10-600



RH ROLLER TOE HORIZONTAL CLAMP

MODEL 694901 THROUGH 694904 PARTS BREAKDOWN



60

- 10) BODY ASSEMBLY
- 20) ARM PLATE ASSEMBLY
- 28) ROLLER
- 31) FORGED SHACKLE
- 60) PIVOT BOLT ASSEMBLY

LIFTING CLAMPS



RH PARTS CODES FOR CM MODEL NUMBERS 694901 THROUGH 694904

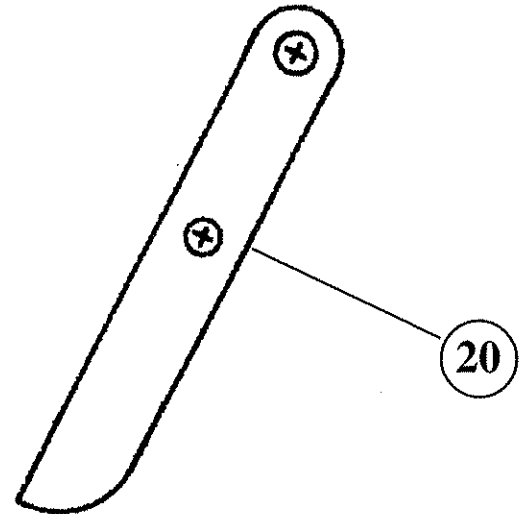
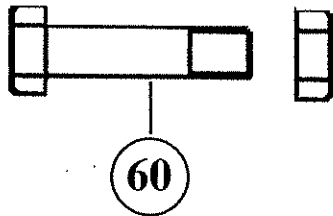
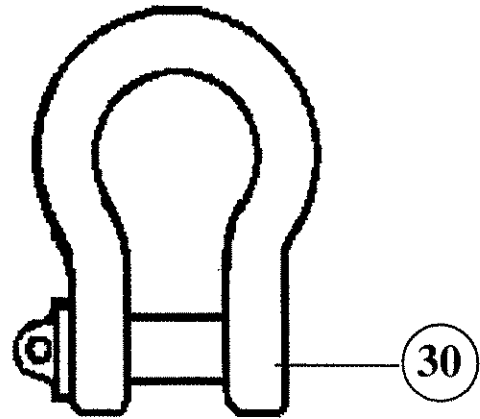
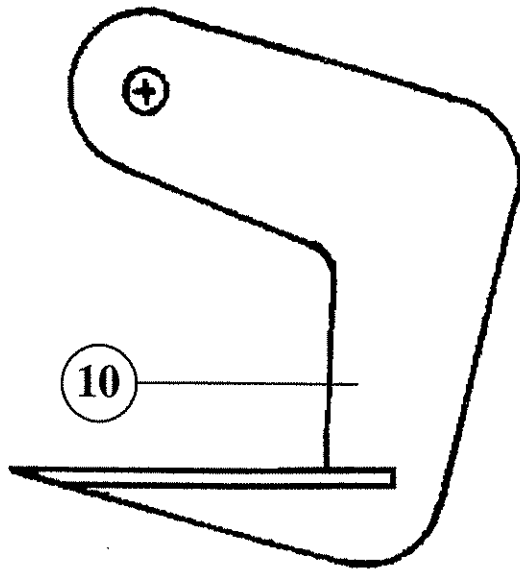
REF	DESCRIPTION	694901 Part number	694902 Part number
10	BODY ASSEMBLY	RH30-100	RH50-100
20	ARM PLATE ASSEMBLY	RH30-200	RH50-200
28	ROLLER	RH30-280	RH50-280
31	FORGED SHACKLE	RH30-310	RH50-310
60	PIVOT BOLT ASSEMBLY	RH30-600	RH50-600

REF	DESCRIPTION	694903 Part number	694904 Part number
10	BODY ASSEMBLY	RH70-100	RH100-100
20	ARM PLATE ASSEMBLY	RH70-200	RH100-200
28	ROLLER	RH70-280	RH100-280
31	FORGED SHACKLE	CH4-310	CH8-310
60	PIVOT BOLT ASSEMBLY	RH70-600	RH100-600



SH SHEET BUNDLE HORIZONTAL CLAMP

MODEL 694910 THROUGH 694912
PARTS BREAKDOWN



- 10) BODY ASSEMBLY
- 19) HANDLE
- 20) MOVING ASSEMBLY
- 30) HOOKRING ASSEMBLY
- 60) PIVOT BOLT ASSEMBLY

LIFTING CLAMPS



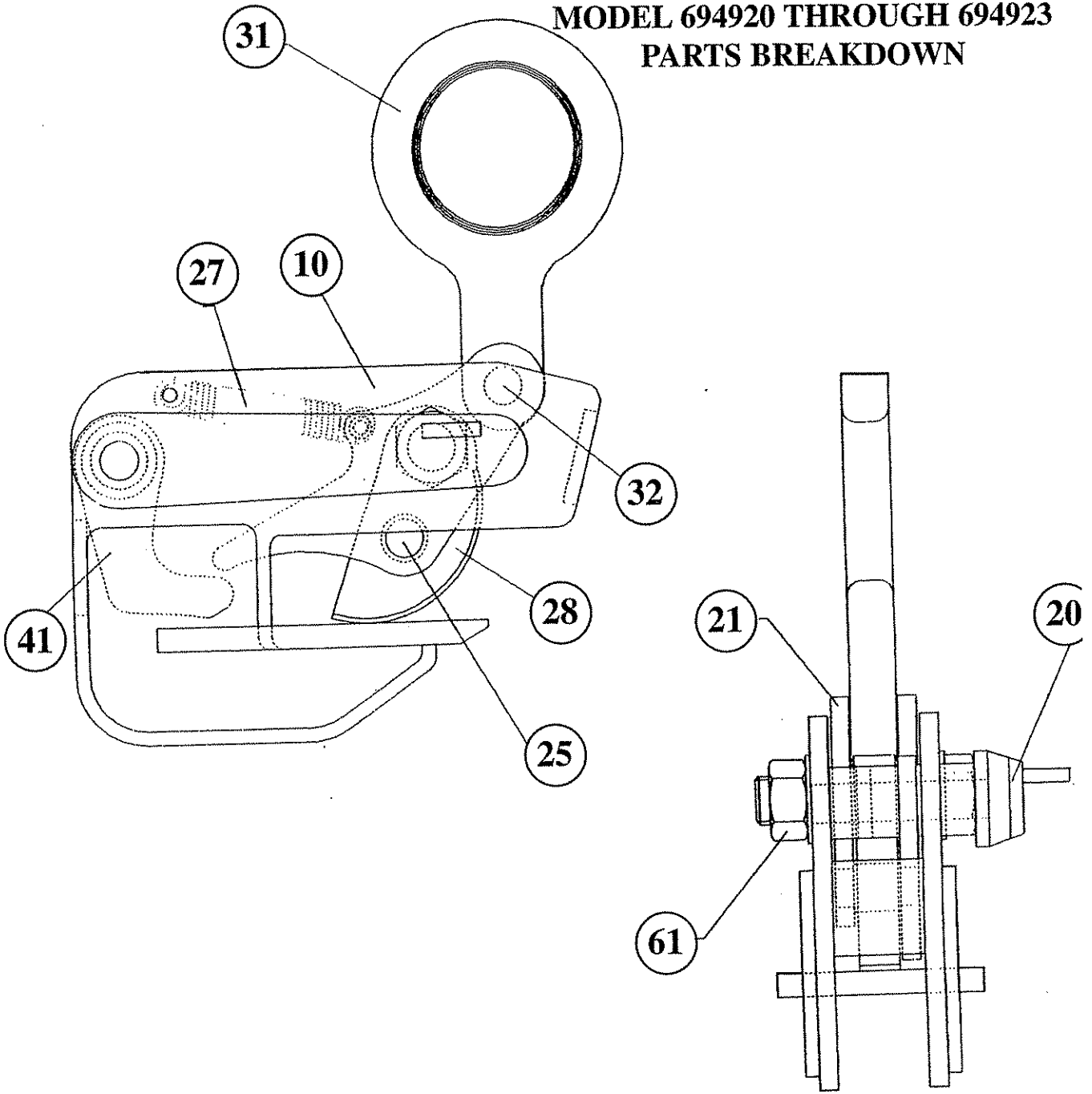
SH PART CODES FOR CM MODEL NUMBERS 694910 THROUGH 694912

REF	DESCRIPTION	694910 Part number	694911 Part number	694912 Part number
10	BODY ASSEMBLY	SH2-100	SH3-100	SH4-100
19	HANDLE	SH2-190	SH3-190	SH4-190
20	MOVING ASSEMBLY	SH2-200	SH3-200	SH4-200
30	HOOKRING ASSEMBLY	SH2-300	SH3-300	SH4-300
60	PIVOT BOLT ASSEMBLY	SH2-600	SH3-600	SH4-600



THIS HORIZONTAL PLATE CLAMP W/LOCK

MODEL 694920 THROUGH 694923 PARTS BREAKDOWN



- 10) SHELL WELDED ASSEMBLY
- 20) INTERNAL ASSEMBLY
- 21) INTERNAL LINK
- 25) INTERNAL PIN
- 27) SPRING
- 28) JAW

- 31) HOOKRING
- 32) HOOKRING PIN
- 41) CAM
- 47) LEVER
- 60) JAW BOLT ASSEMBLY
(NOT SHOWN)

LIFTING CLAMPS



THIS PART CODES FOR CM MODEL NUMBERS 694920 THROUGH 694923

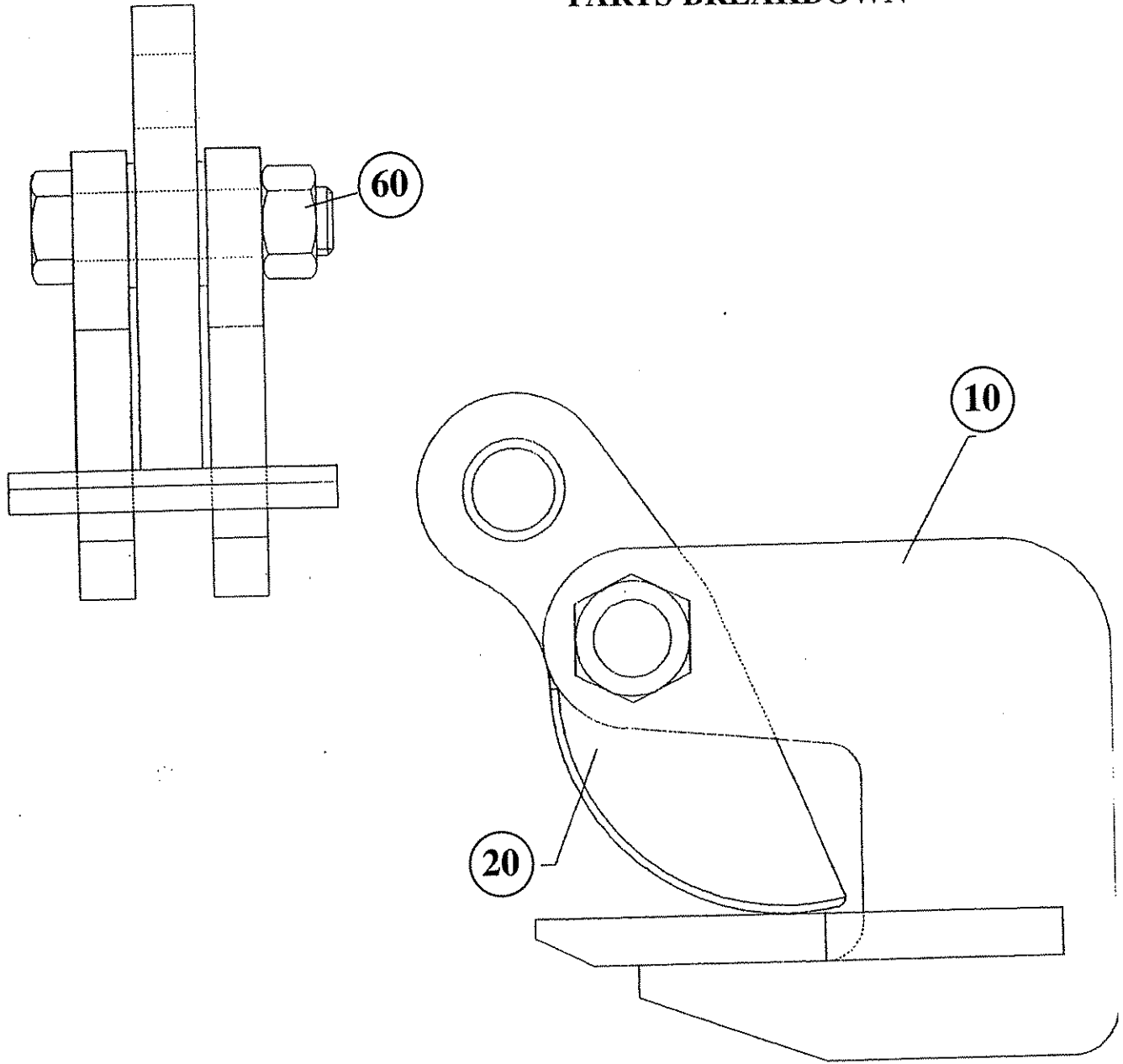
REF	DESCRIPTION	694920 Part number	694921 Part number
10	SHELL WELDED ASSEMBLY	THS0.75-100	THS1.5-100
20	INTERNAL ASSEMBLY	THS0.75-200	THS1.5-200
21	INTERNAL LINK	THS0.75-210	THS1.5-210
25	INTERNAL PIN	CZ1-250	CZ3-250
27	SPRING	923-270	CZ3-270
28	JAW	CG1-280	THS1.5-280
31	HOOKRING	CZ1-310	CZ2-310
32	HOOKRING PIN	THS0.75-320	THS1.5-320
41	CAM	THS0.75-410	THS1.5-410
47	LOCKING LEVER ONLY	THS0.75-470	THS1.5-470
60	JAW BOLT ASSEMBLY	CZ1-600	CZ3-600

REF	DESCRIPTION	694922 Part number	694923 Part number
10	SHELL WELDED ASSEMBLY	THS3-100	THS4.5-100
20	INTERNAL ASSEMBLY	THS3-200	THS4.5-200
21	INTERNAL LINK	THS3-210	THS4.5-210
25	INTERNAL PIN	THS3-250	CZ8-250
27	SPRING	CZ8-270	CZ8-270
28	JAW	THS3-280	THS4.5-280
31	HOOKRING	THS3-310	THS4.5-310
32	HOOKRING PIN	THS3-320	THS4.5-320
41	CAM	THS3-410	THS4.5-410
47	LOCKING LEVER ONLY	THS3-470	THS4.5-470
60	JAW BOLT ASSEMBLY	THS3-600	CZ6-600



THK HORIZONTAL THIN SHEET CLAMP

MODEL 694930 THROUGH 694935 PARTS BREAKDOWN



- 10) BODY ASSEMBLY
- 20) JAW
- 60) JAW BOLT

LIFTING CLAMPS



THK PART CODES FOR CM MODELS 694930 THROUGH 694935

REF	DESCRIPTION	694930 Part number	694931 Part number
10	BODY ASSEMBLY	THK0.75-100	THK1.5-100
20	JAW	THK0.75-200	THK1.5-200
60	JAW BOLT	THK0.75-600	THK1.5-600

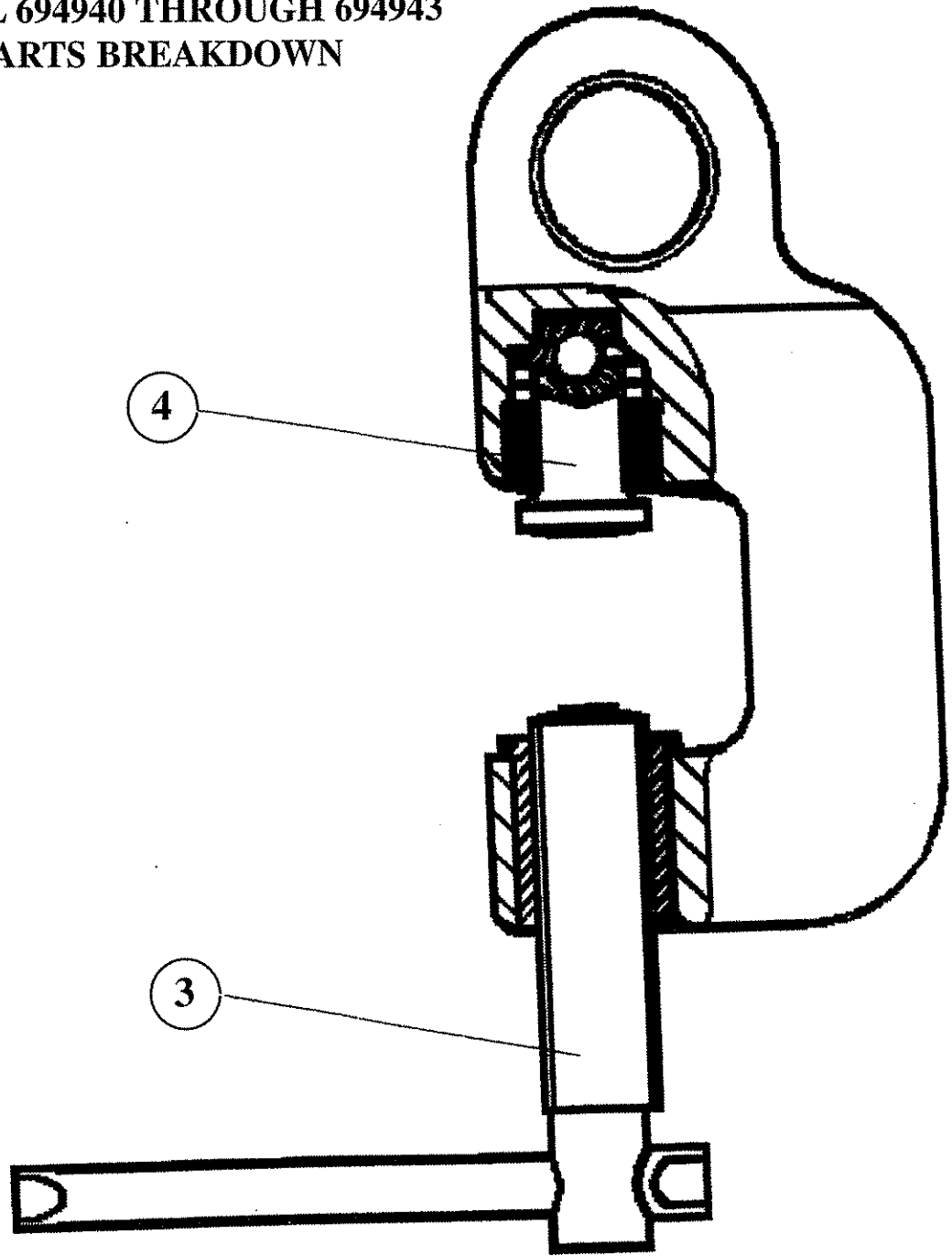
REF	DESCRIPTION	694932 Part number	694933 Part number
10	BODY ASSEMBLY	THK3-100	THK4.5-100
20	JAW	THK3-200	THK4.5-200
60	JAW BOLT	THK3-600	THK4.5-600

REF	DESCRIPTION	694934 Part number	694935 Part number
10	BODY ASSEMBLY	THK6-100	THK9-100
20	JAW	THK6-200	THK9-200
60	JAW BOLT	THK6-600	THK9-600

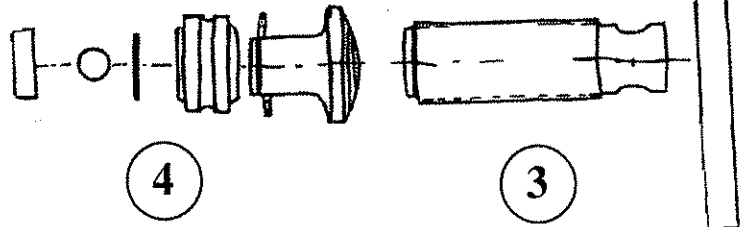


TSD SCREWCAM PULLING CLAMP

MODEL 694940 THROUGH 694943 PARTS BREAKDOWN



EXPLODED
VIEW



LIFTING CLAMPS



TSD PART CODES FOR CM MODEL NUMBERS 694940 THROUGH 694943

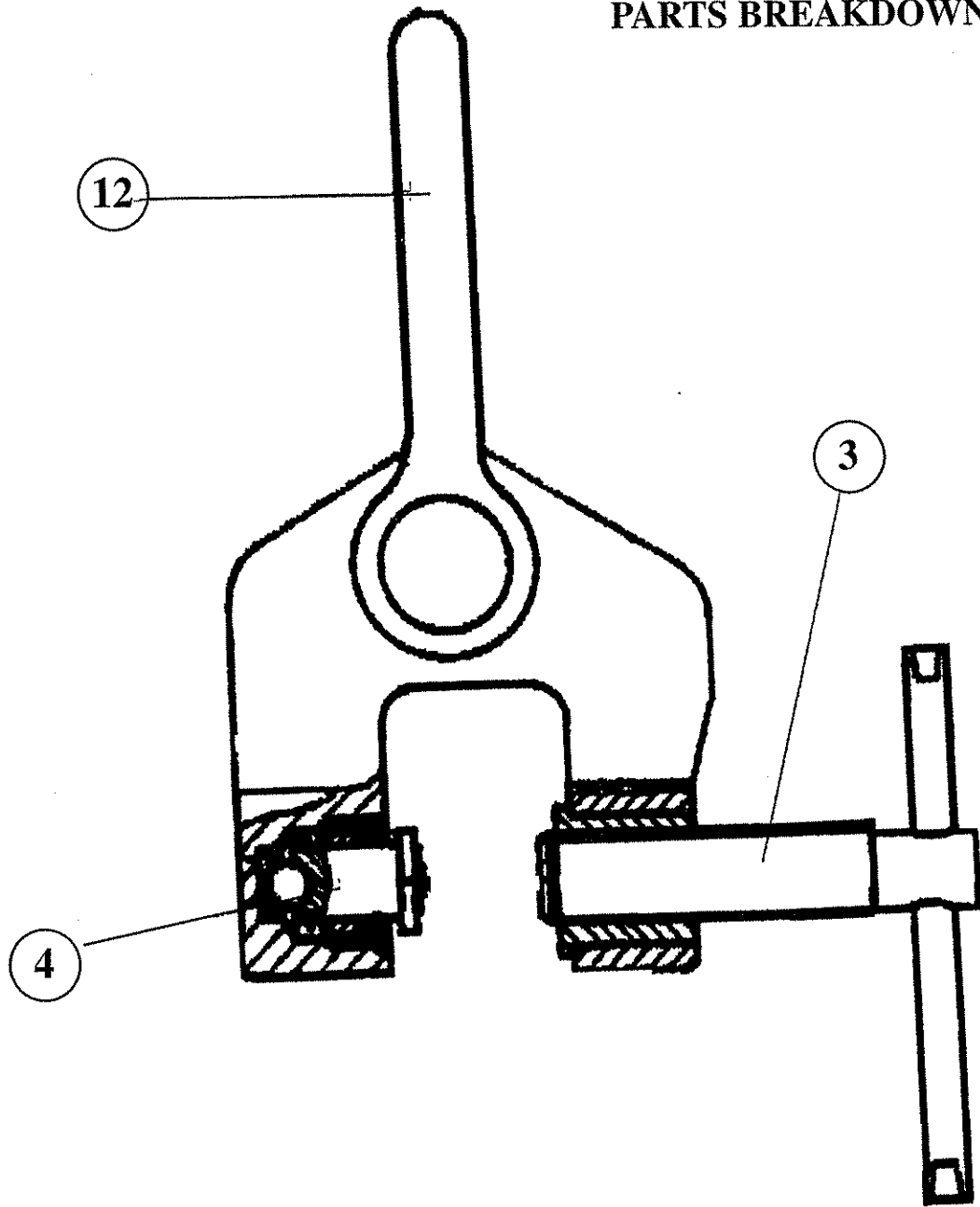
REF	DESCRIPTION	694940 Part number	694941 Part number
3	TOMMY BAR & SCREW SPINDLE	5151.2412	5151.2424
4	PAD KIT	5151.2413	5151.2425

REF	DESCRIPTION	694942 Part number	694943 Part number
3	TOMMY BAR & SCREW SPINDLE	5151.2436	5151.2436
4	JAW	5151.2437	5151.2437

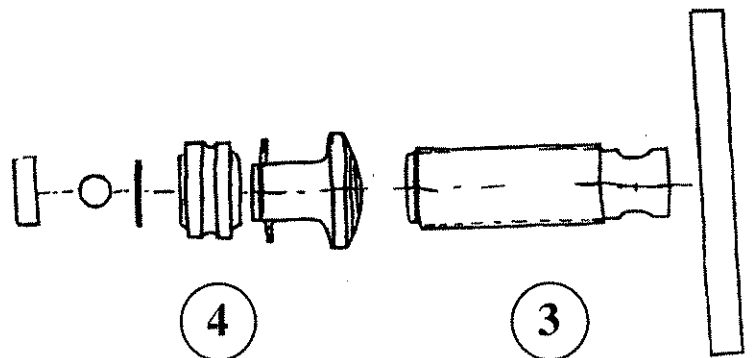


TSH SCREWCAM PULLING CLAMP

MODEL 694948 THROUGH 694950
PARTS BREAKDOWN



EXPLODED
VIEW



LIFTING CLAMPS

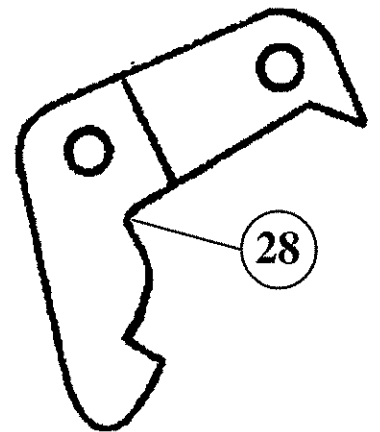
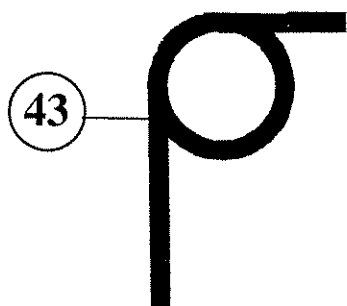
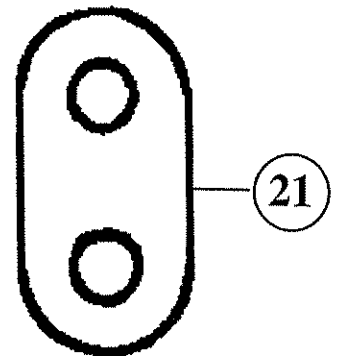
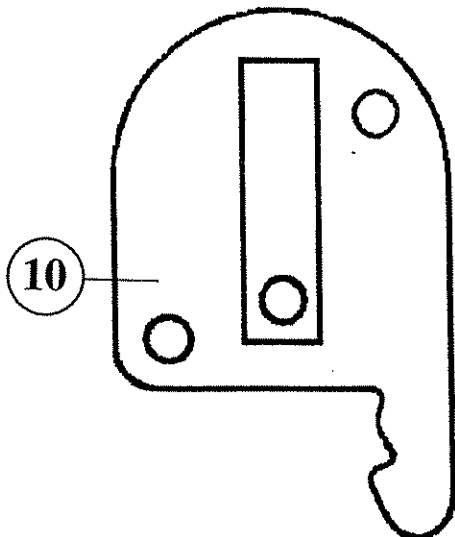
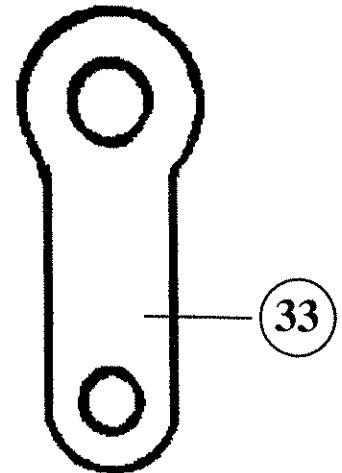
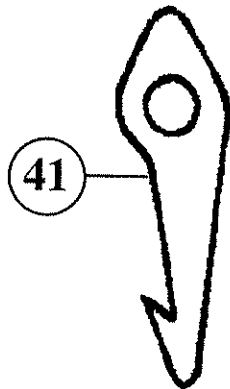


TSH PART CODES FOR CM MODEL NUMBERS 694948 THROUGH 694950

REF	DESCRIPTION	694948 Part number	694949 Part number	694950 Part number
3	TOMMY BAR & SCREW SPINDLE	5151.2412	5151.2424	5151.2436
4	PAD KIT	5151.2413	5151.2425	5151.2437
12	SHACKLE	5151.2421	5151.2433	5151.2445



MODEL 694951, 694952
PARTS BREAKDOWN



LIFTING CLAMPS

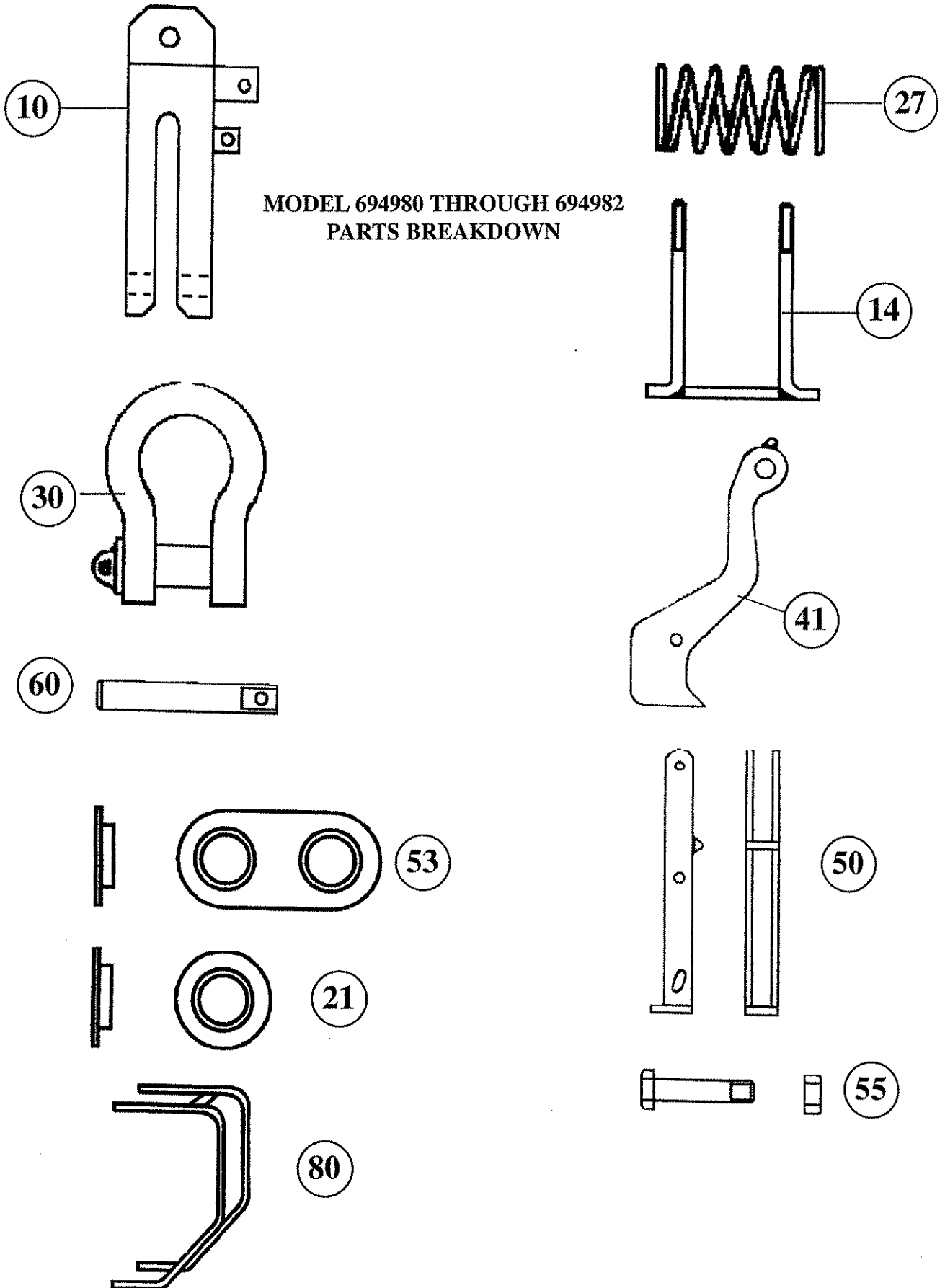


CR PART CODES FOR CM MODEL NUMBERS 694951, 694952

REF	DESCRIPTION	694951 Part number	694952 Part number
10	SHELL WELDED ASSEMBLY	CR750-100	CR21-100
21	INTERNAL LINK	CR750-210	CR750-210
25	INTERNAL PIN	CR750-250	CR750-250
28	JAW	CR750-280	CR21-280
32	HOOKRING PIN	CR750-320	CR750-320
33	CHAIN LINK	CR750-330	CR750-330
41	LOCKING PAWL	CR750-410	CR750-410
42	HANDLE SHAFT	CR750-420	CR750-420
43	DOUBLE TORSION SPRING	CR750-430	CR750-430
47	HANDLE	CR750-470	CR750-470
60	JAW BOLT ASSEMBLY	CR750-600	CR750-600



CP PILE PITCHING CLAMP



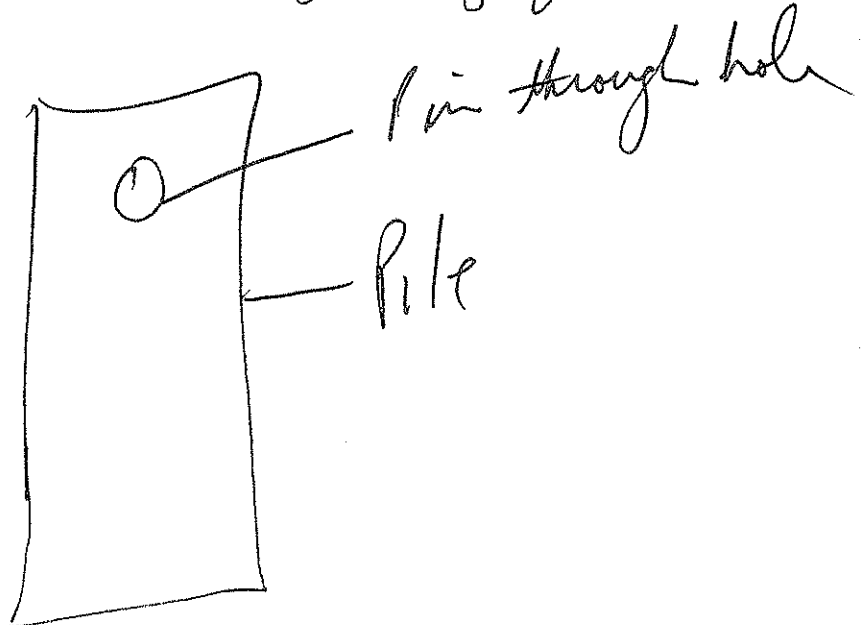
LIFTING CLAMPS

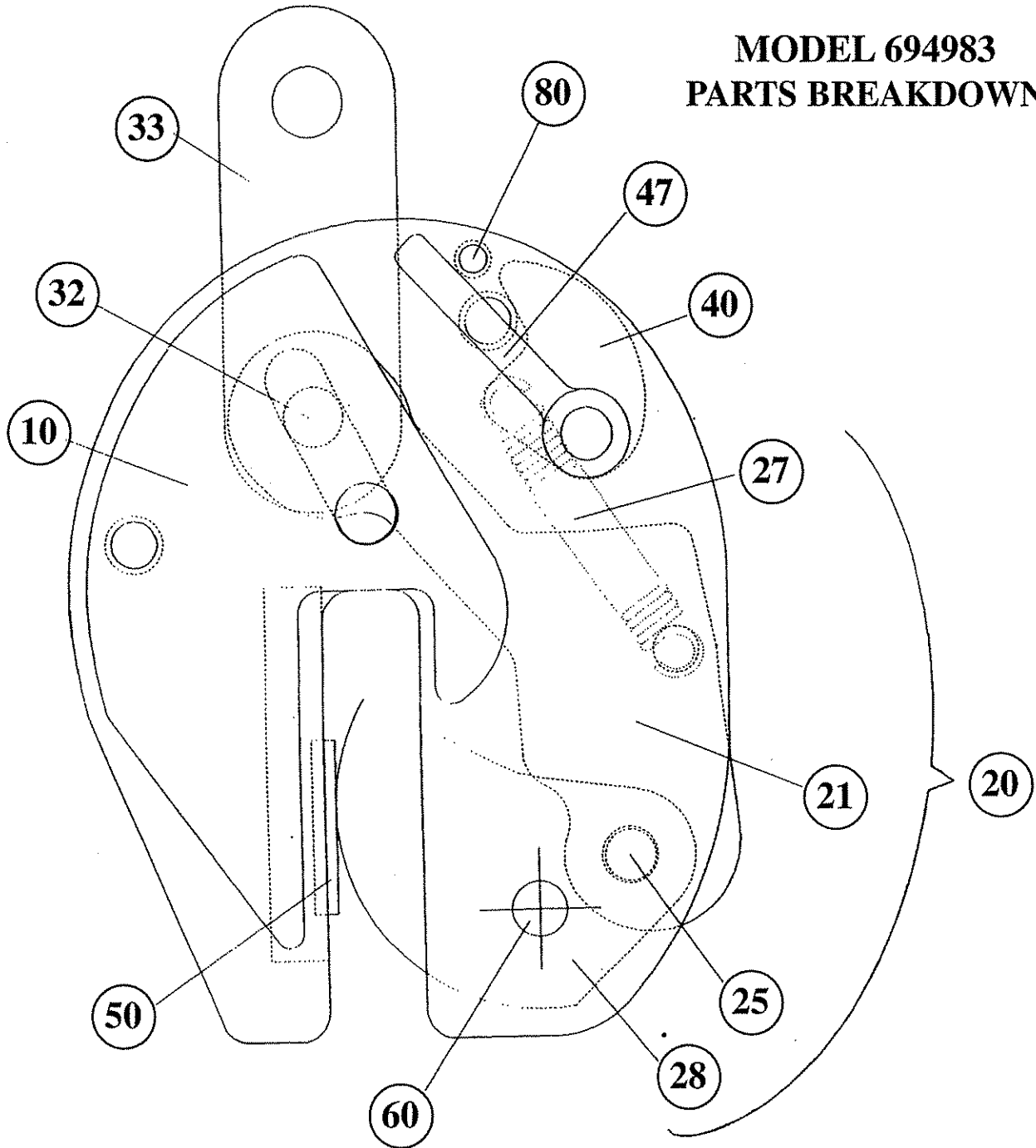


CP PART CODES FOR CM MODEL NUMBERS 694980 THROUGH 694982

REF	DESCRIPTION	694980 Part Number	6954981 Part Number	694982 Part Number
10	BODY ASSEMBLY	CP2-100	CP3-100	CP5-100
14	SPRING PIVOT & TENSION BAR	CP5-140	CP5-140	CP5-140
21	TOP SPRING WASHERS	CP5-210	CP5-210	CP5-210
27	SPRING	CP5-270	CP5-270	CP5-270
30	SHACKLE ASSEMBLY	CP2-300	CP3-300	CP5-300
41	CAM LEVER	CP2-410	CP3-410	CP5-410
50	LEVER ARM ASSEMBLY	CP2-500	CP3-500	CPS-500
53	SPRING BOTTOM PLATE	CP5-530	CP3-530	CP5-530
55	LEVER ARM BOLTS	12012048	12012048	12012048
60	SUSPENSION PIN	CP2-600	CP3-600	CP5-600
80	GUARD	CP5-800	CP5-800	CP5-800

Pin goes always through frame



**MODEL 694983
PARTS BREAKDOWN**

10) SHELL

20) INTERNAL ASSEMBLY

21) INTERNAL LINK

25) INTERNAL PIN

27) SPRING

28) JAW

30) HOOKRING & PIN

32) HOOKRING PIN

33) SHACKLE LINK

40) CAM & LEVER

47) LEVER ONLY

50) PAD & SCREWS

60) JAW BOLT & NUT

80) LATCH ASSEMBLY

LIFTING CLAMPS

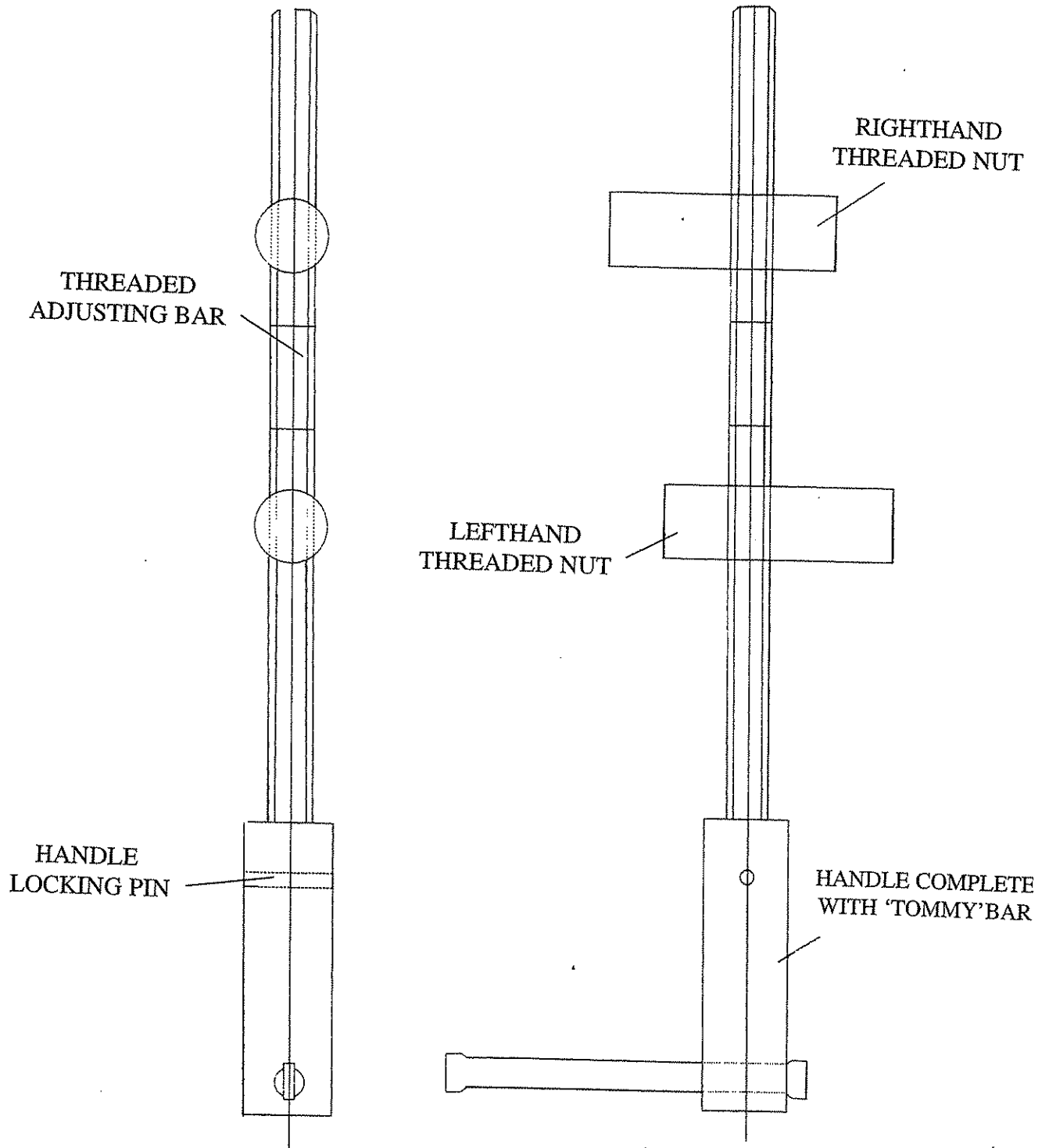


PP PART CODES FOR CM MODEL NUMBER 694983

REF	DESCRIPTION	694983 Part number
10	SHELL WELDED ASSEMBLY	PP8-100
20	INTERNAL ASSEMBLY	PP8-200
21	INTERNAL LINK (SET OF 2)	PP8-210
25	INTERNAL PIN	CZ8-250
27	SPRING	CZ8-270
28	JAW	CZ8-280
30	SHACKLE LINK ASSEMBLY	PP8-300
32	HOOKRING PIN	CZ8-320
33	LINK	PP8-330
40	CAM ASSEMBLY & LEVER	CZ8-400
47	LOCKING LEVER ONLY	CZ8-470
50	PAD ASSEMBLY	CZ8-500
60	JAW BOLT ASSEMBLY	CZ8-600
80	LOCK ASSEMBLY	PP8-600

CM SC & SC92 SCREWLOCK PART KIT COMPONENTS

MODEL 694990 THROUGH 694994, 695243 THROUGH 695251,
PARTS BREAKDOWN



LIFTING CLAMPS



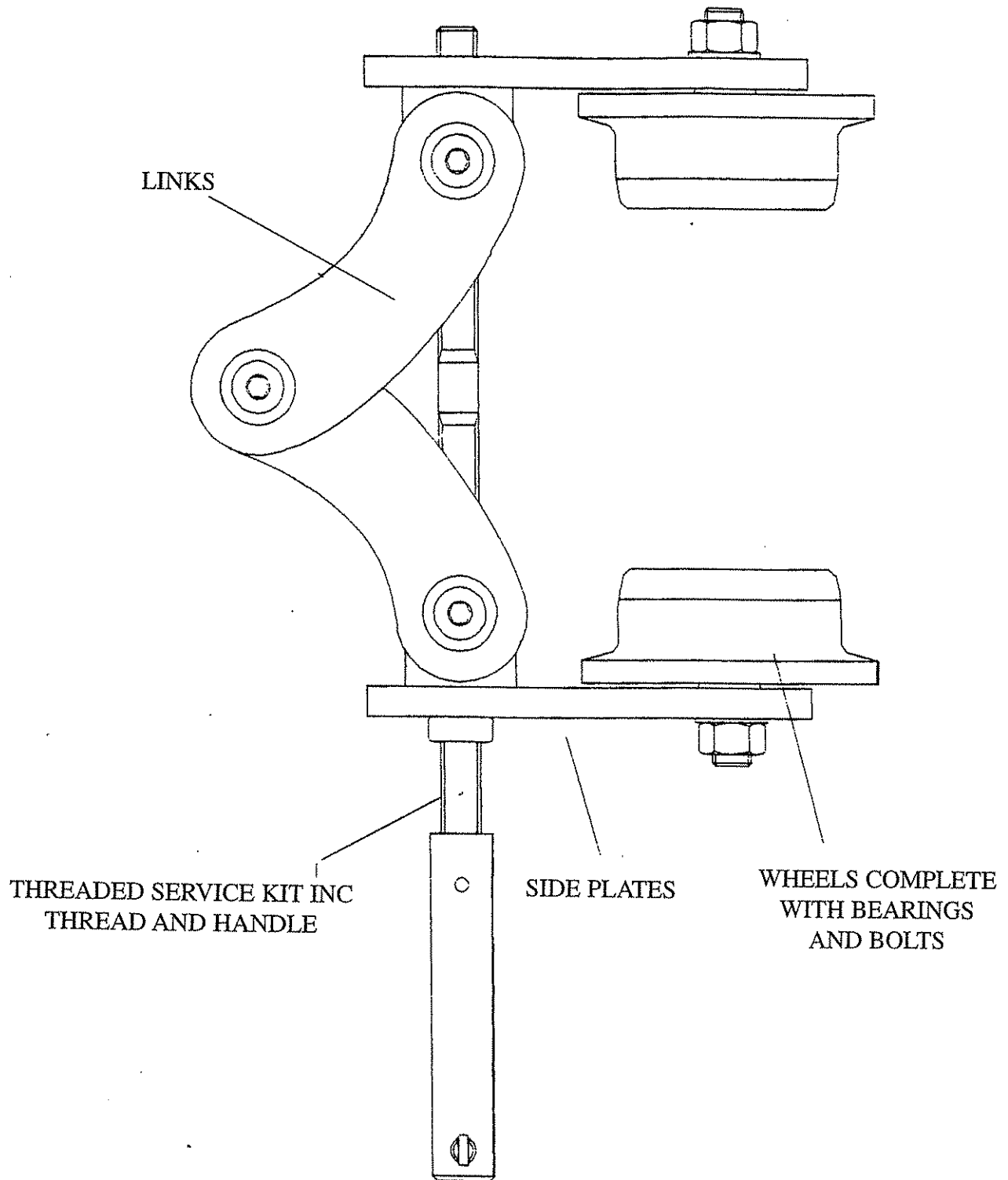
SC & SC92 PART KIT CODES FOR CM MODEL
NUMBERS 694990 THROUGH 694994, 695243 THROUGH 695251

CLAMP	CM MODEL	PART NUMBER
SC1	695243	SC 2 KIT
SC2	695244	SC 2 KIT
SC3	695245	SC 10 KIT
SC 3/L	695246	SC 10 KIT
SC5	695247	SC 10 KIT
SC 5/L	695248	SC 10 KIT
SC 10	694990	SC 10 KIT

CLAMP	CM MODEL	PART NUMBER
SC 921	695249	SC 2 KIT
SC 922	695250	SC 2 KIT
SC 923	695251	SC 10 KIT
SC 923/L	695991	SC 10 KIT
SC 925	695992	SC 10 KIT
SC 925/L	695993	SC 10 KIT
SC 9210	694994	SC 10 KIT

CM TSC PUSH TRAVEL SCREWLOCK TROLLEY CLAMP

**MODEL 694986 THROUGH 694988
PARTS BREAKDOWN**



LIFTING CLAMPS



TSC PART CODES FOR CM MODEL NUMBERS 694986 THROUGH 694988

REF	DESCRIPTION	694986 Part number	694987 Part number	694988 Part number
KIT 1	THREAD	TSC 1-KIT 1	TSC 2-KIT 1	TSC 3-KIT 1
KIT 2	WHEEL (1)	TSC 1- KIT 2	TSC 2-KIT 2	TSC 3-KIT 2
10	SIDE PLATE (1)	TSC 1-100	TSC 2-100	TSC 3-100
20	LINK & SET OF 4 BOLTS	TSC 1-200	TSC 2-200	TSC 3-200