

WORKSTATION JIB CRANES



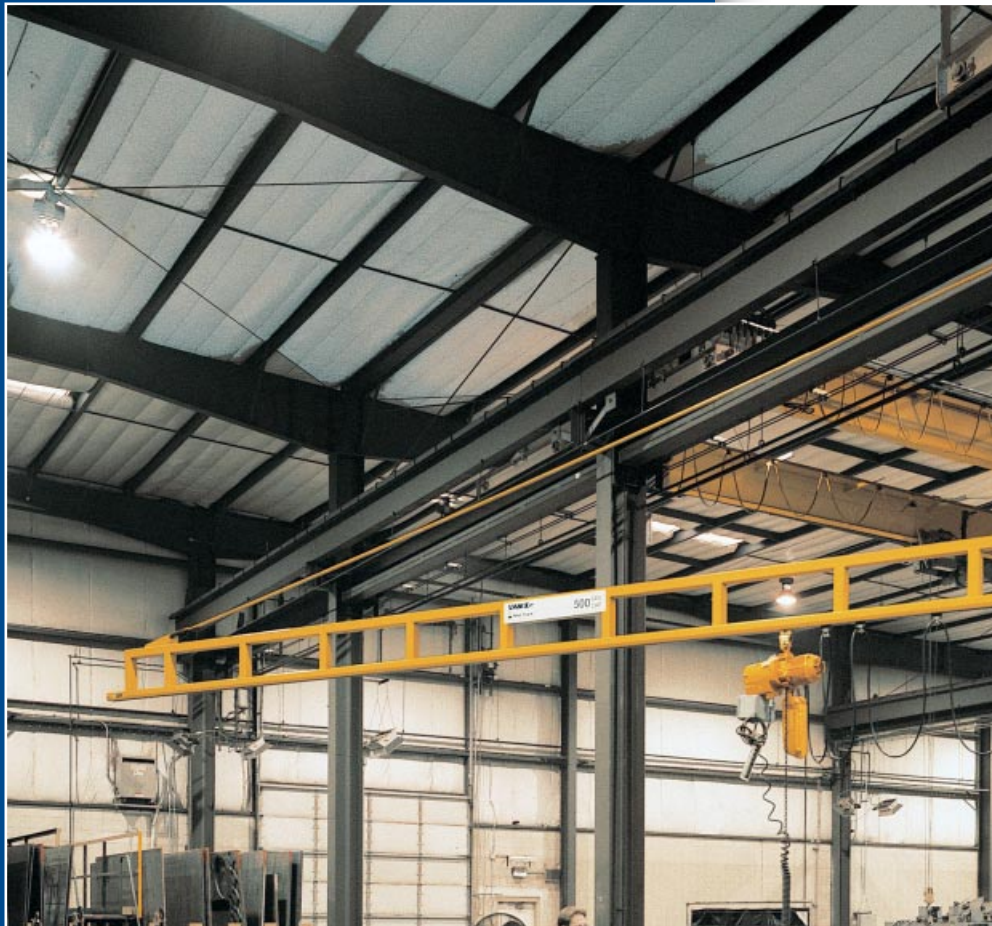
Cost-effective Solutions
For Lifting and Moving Material

WORKSTATION JIB CRANES

TABLE OF CONTENTS

Solving Your Material Handling Problems with SPANCO Enclosed Track Workstation Jib Cranes	2
Choosing The Right Workstation Jib Crane	2
Service Factor	3
Design Options	3
Free Standing	4
Free Standing Charts	5 - 6
Wall Cantilever	7
Wall Cantilever Charts	8

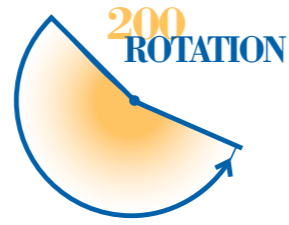
Tie rod supported trussed boom design available for spans up to 30 ft.



WALL CANTILEVER WORKSTATION JIB CRANES

WALL CANTILEVER

- Capacities from 100 to 1,000 lb.
- Standard spans to 16 ft.
- 200 degree rotation.
- Wall or column mounted (requires structurally adequate wall or column support).
- Bronze bearings at the pivot points ensure easy rotation.
- Shim stock up to 7/32 in. ensures jib alignment through the pivot axis, which reduces unwanted boom drifting.



WARNING:

Jib cranes should not be hung from any existing building structure without first consulting a qualified architect or engineer for the purpose of determining if the structure is adequate. Severe bodily injury and property damage can result if this procedure is not followed.

SOLVING YOUR MATERIAL HANDLING PROBLEMS WITH SPANCO ENCLOSED TRACK WORKSTATION JIB CRANES

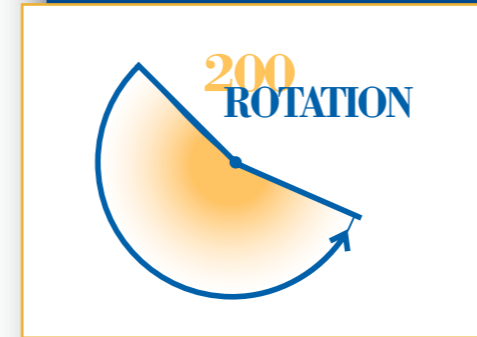
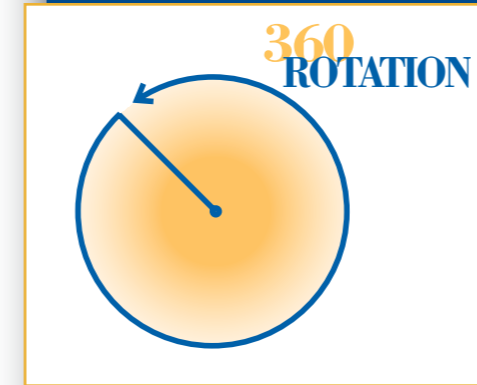
SPANCO enclosed track workstation jib cranes provide ideal, cost effective material handling solutions...

- Circular coverage workstation jib cranes offer 200 or 360 degree rotation.
- Easy, ergonomic movement for applications requiring repetitive lifting and transferring of loads. An operator could be pushing a 1000 lb. load, however the operator will experience the force of approximately 10 lb. to begin moving the load and 8 lb. to continue moving the load (100 to 1 ratio). Also a manual crane operates more quickly than a motorized crane.
- Provides economic, supplemental lifting coverage under an existing overhead crane.
- Styles range from self-supporting to wall mounted.
- Truss design requires minimal overhead installation clearance.

CHOOSING THE RIGHT WORKSTATION JIB CRANE

In selecting a workstation jib crane to match your individual requirements and application, thought should be given to operation type, available structure, necessary options, and cost of both the unit and installation. The following factors should be considered in order to choose a workstation jib crane for maximum effectiveness at minimum cost.

- **Capacity:** The maximum weight of the application should match, NOT exceed, design weight. The capacity rating is based on a design load which includes the capacity rating of the crane plus 15% of the capacity for the weight of the hoist and trolley, 25% of the capacity as an allowance for impact. The deflection is based on a design load which includes capacity plus 15% of capacity for the hoist and trolley. The SPANCO design criteria allows the least amount of deflection so as not to hamper the performance of the crane.
- **Underboom height:** Distance from the floor to the trolley clevis. The size (depth dimension) of the hoist and the amount of lifting distance should also be considered.
- **Area of rotation:** Free standing jib cranes offer 360° rotation. Column mounted types offer 200° rotation.
- **Overall height:** The height to the highest point on the crane after installation. Any attachments, such as electrical entry, should also be considered to provide full rotational potential of the crane, and to be free of overhead obstructions.



- **Working span:** Amount of actual working area needed. The working distance or hook distance is approximately one-half the trolley length from the end of the beam, and also is the same distance from the vertical support member of the jib boom.
- **Installation:** Easy assembly reduces installation expenses.
- **High impact lifters:** Please see "Service Factor" information.

WARNING:

This equipment is not, in any way, designed for lifting, supporting, or transporting humans. Failure to follow the specified load and mounting limitations can result in serious bodily injury and/or property damage.

SERVICE FACTOR

All SPANCO workstation jib cranes are designed for frequent usage (heavy service) as defined:

- System or equipment is used where operational time is up to 100% of the work period and lifted load is at 50% or below rated capacity.
- System or equipment is used where operational time is less than 50% of work period and lifted load is greater than 50% of rated capacity.
- Applications involving vacuums, magnets, or other high impact lifters are considered severe usage (continuous service) and require special design considerations. Please contact factory for special design pricing.
- A retaining pin inserted through the main pivot shaft reinforces resistance against upward dislodgment of the boom assembly.

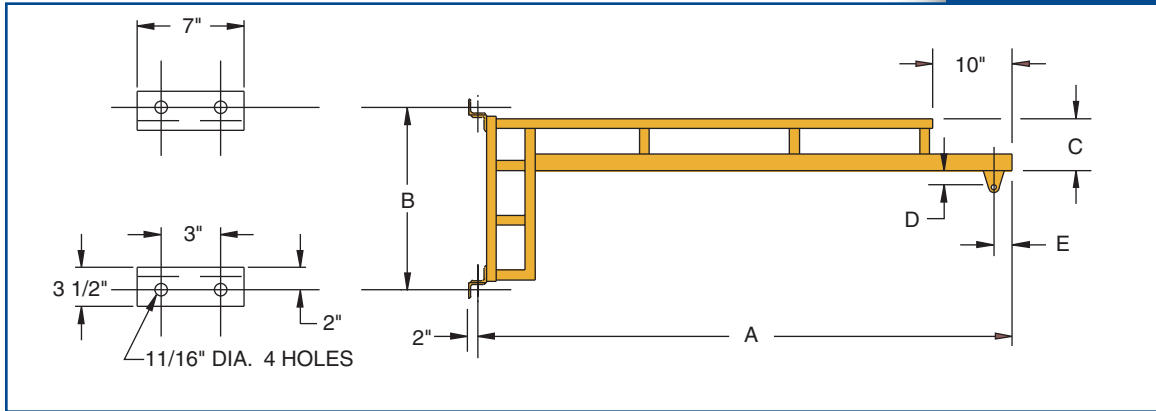
DESIGN OPTIONS

- Optional four ring collector ring or air swivel provides continuous 360 degree boom rotation, top entry only.
- Optional rotation stops limit boom rotation to accommodate machines, equipment and/or building structures.
- Optional forkliftable counterweight base available in three weights.
- Vacuum Lift Platforms - to mount all manufacturer's vacuum pumps on Jib Mast.
- Vacuum Hose Trolleys - to fit maximum 3 in. diameter hose.
- Special Balancer Trolleys - air or manual for all manufacturers.
- Telescoping Boom Sections.
- Festoon Flat Cable - 4 conductor.
- Festoon Air Hose - 3/8 in. I.D.
- Anchor Bolts and Templates.

WORKSTATION JIB CRANES



WALL CANTILEVER WORKSTATION JIB CRANES



WALL CANTILEVER ENCLOSED TRACK JIB CRANE								
CAP LB.	A SPAN	B SUPPORT BRACKET CENTERS	C TRACK DEPTH	D TROLLEY CLEVIS	E END STOP	WT. LB.	THRUST & PULL LB.	MODEL NO.
100	4	36"	4 1/4"	2 1/4"	3 3/8"	70	185	WC-100-4-400
	6	36"	4 1/4"	2 1/4"	3 3/8"	85	300	WC-100-6-400
	8	36"	9"	2 1/4"	3 3/8"	140	465	WC-100-8-400
	10	36"	9"	2 1/4"	3 3/8"	150	510	WC-100-10-400
	12	48"	11"	2 1/4"	3 3/8"	185	575	WC-100-12-400
	14	48"	11"	2 1/4"	3 3/8"	205	710	WC-100-14-400
	16	48"	11"	2 1/4"	3 3/8"	225	845	WC-100-16-400
150	4	36"	4 1/4"	2 1/4"	3 3/8"	70	270	WC-150-4-400
	6	36"	4 1/4"	2 1/4"	3 3/8"	85	465	WC-150-6-400
	8	36"	9"	2 1/4"	3 3/8"	140	645	WC-150-8-400
	10	36"	9"	2 1/4"	3 3/8"	150	830	WC-150-10-400
	12	48"	11"	2 1/4"	3 3/8"	185	780	WC-150-12-400
	14	60"	14 3/8"	2 5/8"	4"	325	855	WC-150-14-500
	16	60"	14 3/8"	2 5/8"	4"	355	1025	WC-150-16-500
250	4	36"	4 1/4"	2 1/4"	3 3/8"	70	435	WC-250-4-400
	6	36"	9"	2 1/4"	3 3/8"	115	720	WC-250-6-400
	8	36"	9"	2 1/4"	3 3/8"	140	1000	WC-250-8-400
	10	48"	11"	2 1/4"	3 3/8"	160	960	WC-250-10-400
	12	60"	14 3/8"	2 5/8"	4"	295	1015	WC-250-12-500
	14	60"	14 3/8"	2 5/8"	4"	325	1235	WC-250-14-500
	16	60"	14 3/8"	2 5/8"	4"	355	1460	WC-250-16-500
500	4	36"	10"	2 5/8"	4"	110	840	WC-500-4-500
	6	36"	10"	2 5/8"	4"	140	1350	WC-500-6-500
	8	48"	12 3/8"	2 5/8"	4"	190	1410	WC-500-8-500
	10	48"	12 3/8"	2 5/8"	4"	215	1820	WC-500-10-500
	12	60"	14 3/8"	2 5/8"	4"	295	1815	WC-500-12-500
	14	72"	17"	3 3/16"	4 3/8"	350	1950	WC-500-14-600
	16	84"	17"	3 3/16"	4 3/8"	405	1975	WC-500-16-600
1000	4	36"	11"	3 3/16"	4 3/8"	155	1600	WC-1000-4-600
	6	36"	11"	3 3/16"	4 3/8"	195	2590	WC-1000-6-600
	8	48"	11"	3 3/16"	4 3/8"	250	2670	WC-1000-8-600
	10	48"	13 7/8"	3 3/16"	4 3/8"	330	2805	WC-1000-10-600
	12	60"	17"	3 3/16"	4 3/8"	400	3465	WC-1000-12-600
	14	72"	20"	4 1/8"	5 3/4"	410	3665	WC-1000-14-700
	16	84"	20"	4 1/8"	5 3/4"	465	3735	WC-1000-16-700

WALL CANTILEVER 100 - 150 - 250 - 500 - 1,000 LB. CAPACITY

SPANCO Lifting Solutions...

Free standing or wall cantilevered, the SPANCO enclosed track Jib Crane possibilities are endless.

Call us for a local representative in your area.

800-869-2080

WORKSTATION JIB CRANES

We have the solution for all your material handling needs.



Stand Alone Workstation Bridge Cranes



Gantry Cranes



Ceiling Mounted Work Station Bridge Cranes



Jib Cranes



Aluminum Work Station Bridge Cranes

To request the featured literature, contact your authorized SPANCO distributor or call SPANCO at the numbers listed below.



Stellar Performance

Morgantown Business Park
604 Hemlock Road
Morgantown, PA 19543 U.S.A.

Tel: (610) 286-7200 Fax: (610) 286-0085
800-869-2080 Canada & U.S.A.
95-800-270-1080 Mexico

Visit SPANCO's Web site: www.spanco.com
email: sales@spanco.com

