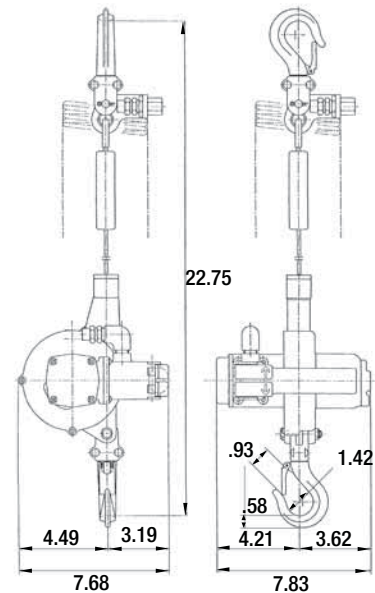




- Capacity: Rated loads 300 lbs./140 kg.
- Efficient rotary vane motor provides high uniform torque for quick response and smooth, quiet operation.
- Handle-mounted pendant control for one-handed operation and load positioning.
- Precise and infinite speed control for accurate load spotting.
- Self-winding lifting cable stores conveniently inside unit.
- Swivel top and bottom hooks with safety latches standard, for portability and quick installation.
- Secures load and eliminates drift when pendant is released.
- A 3/8" NPT air filter-regulator-lubricator is needed for effective operation. Spark resistant features are not available.
- Lifetime Warranty
- Ideal Applications
 - Assembly Line
 - Machine Shops
 - Cleaning and/or Dipping Operations
 - Manufacturing Plants
 - Power Generating Stations
 - Shipping Departments
 - Chemical Facilities
 - Fabricating Shops
 - Repetitive Lifting Applications
 - Auto/Truck Repair
 - Handling Fixtures and Dies



Specifications & Dimensions

Capacity	Model #	Standard Lift	Lift Speed w/ load		Lift Speed w/o load		Air Consump.	Headroom	Housing Dimensions			Max Air Pressure	Net Weight		
			Up	Down	Up	Down			D	W	L				
lbs.		ft.	FPM						CFM	in	in.			psi	lbs.
300	TMM-140	6' 6"	36	59	49	39	21.2	22-3/4	7-2/3	7-7/8	23-3/4	70-95	18.7		