

Saf-T-Bar Conductor Bar C Series



The technical data and images which appear in this manual are for informational purposes only. **NO WARRANTIES, EXPRESS OR IMPLIED, INCLUDING WARRANTIES OF MERCHANTABILITY OR FITNESS FOR A PARTICULAR PURPOSE, ARE CREATED BY THE DESCRIPTIONS AND DEPICTIONS OF THE PRODUCTS SHOWN IN THIS MANUAL.** Conductix makes no warranty (and assumes no liability) as to function of equipment or operation of systems built according to customer design or of the ability of any of its products to interface, operate or function with any portions of customer systems not provided by Conductix.

Seller agrees to repair or exchange the goods sold hereunder necessitated by reason of defective workmanship and material discovered and reported to Seller within one year after shipment of such goods to Buyer.

Except where the nature of the defect is such that it is appropriate, in Seller's judgment, to effect repairs on site, Seller's obligation hereunder to remedy defects shall be limited to repairing or replacing (at Seller's option) FOB point of original shipment by Seller, any part returned to Seller at the risk and cost of Buyer. Defective parts replaced by Seller shall become the property of Seller.

Seller shall only be obligated to make such repair or replacement if the goods have been used by Buyer only in service recommended by Seller and altered only as authorized by Seller. Seller is not responsible for defects which arise from improper installation, neglect, or improper use or from normal wear and tear.

Additionally, Seller's obligation shall be limited by the manufacturer's warranty (and is not further warranted by Seller) for all parts procured from others according to published data, specifications or performance information not designed by or for Seller.

Seller further agrees to replace or at Seller's option to provide a refund of the sales price of any goods that do not conform to applicable specifications or which differ from that agreed to be supplied which non-conformity is discovered and forthwith reported to Seller within thirty (30) days after shipment to the Buyer. Seller's obligation to replace or refund the purchase price for non-conforming goods shall arise once Buyer returns such goods FOB point of original shipment by Seller at the risk and cost of Buyer. Goods replaced by Seller shall become the property of Seller.

There is no guarantee or warranty as to anything made or sold by Seller, or any services performed, except as to title and freedom from encumbrances and, except as herein expressly stated and particularly, and without limiting the foregoing, **there is no guarantee or warranty, express or implied, of merchantability or of fitness for any particular purpose or against claim of infringement or the like.**

Seller makes no warranty (and assumes no liability) as to function of equipment or operation of systems built to Buyer's design or of the ability of any goods to interface, operate or function with any portions of Buyer's system not provided by Seller.

Seller's liability on any claim, whether in contract, tort (including negligence), or otherwise, for any loss or damage arising out of, connected with, or resulting from the manufacture, sale, delivery, resale, repair, replacement or use of any products or services shall in no case exceed the price paid for the product or services or any part thereof which give rise to the claim. In no event shall Seller be liable for consequential, special, incidental or other damages, nor shall Seller be liable in respect of personal injury or damage to property not the subject matter hereof unless attributable to gross misconduct of Seller, which shall mean an act or omission by Seller demonstrating reckless disregard of the foreseeable consequences thereof.

Seller is not responsible for incorrect choice of models or where products are used in excess of their rated and recommended capacities and design functions or under abnormal conditions. Seller assumes no liability for loss of time, damage or injuries to property or persons resulting from the use of Seller's products. Buyer shall hold Seller harmless from all liability, claims, suits and expenses in connection with loss or damage resulting from operation of products or utilization of services, respectively, of Seller and shall defend any suit or action which might arise there from in Buyer's name - provided that Seller shall have the right to elect to defend any such suit or action for the account of Buyer. The foregoing shall be the exclusive remedies of the Buyer and all persons and entitles claiming through the Buyer.

INDEX

Hanger Clamps - 4

Conductor Rails - 4

Power Feeds - 4

Expansion Gaps - 5

End Caps - 5

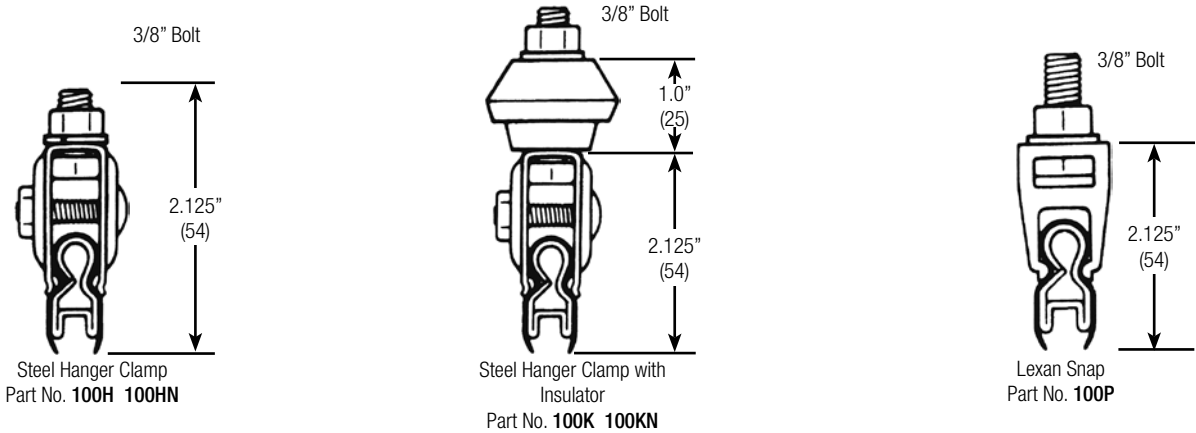
Collectors - 6

Pickup Guides / Transfer Guides - 7

Hanger Clamps

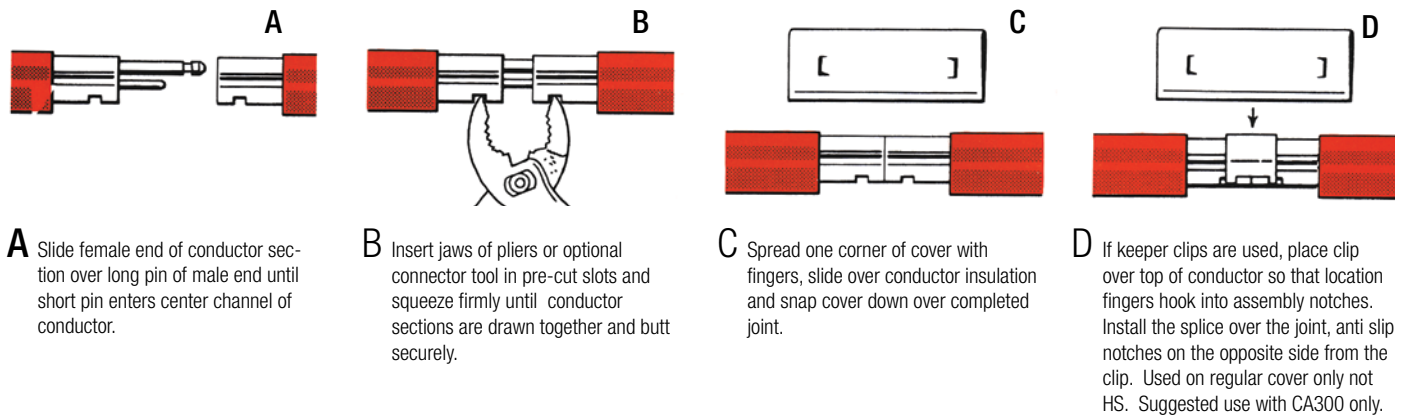
Attach hanger clamps to hanger brackets, located every 5' for vertical or lateral mounting.

Tighten down hanger clamp nut. Make sure hangers are in line with conductor rail and that hanger bracket mounting surface is parallel to conductor elevation. Snap conductor into all hangers, starting at 6" past the first hanger. All splices and power feeds should be 6" from hangers. On cross bolt hangers - sliding type - tighten fully. Back off 1/4 turn. For anchor location torque cross bolt to 6 foot lbs. On snap in hangers snap rail in place. At anchor locations, drill rail and push anchor pin in place and snap hanger over rail and pin.



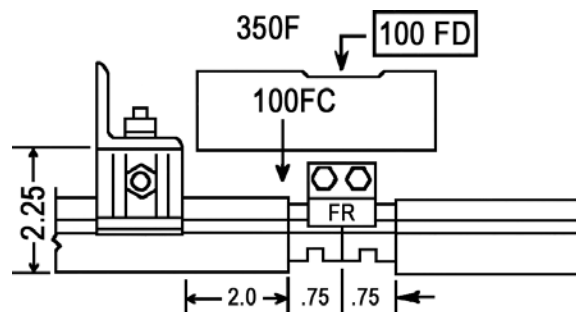
Conductor Rails

Pull Rail Joints together using channel lock pliers or special assembly tool. Assembly tool fits inside rail slot with lever tabs extending out through rail notches. Close joint fully, Snap rail cover joint in place to complete joint assembly.



Power Feeds

Power feeds may be located at any point on the conductor bar by cutting out 2" of cover. The most convenient location is at conductor rail splices or the ends of the conductor system.



SERIES C SAF-T-BAR CONDUCTOR BAR

Expansion Gaps

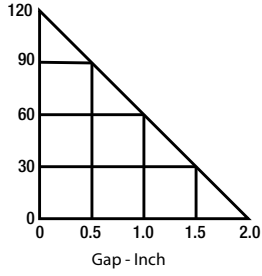
Assemblies

CA100XG-2" - Steel Conductors - Required ever 300 feet.

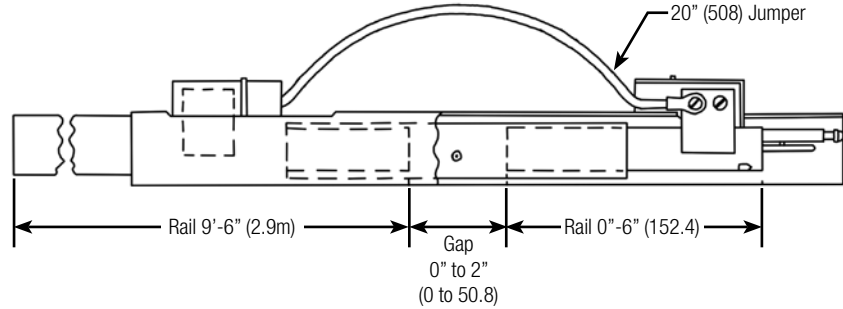
CA300XG-2" - Copper Conductors - Required ever 200 feet.

Expansion gap assemblies comprise a sliding gap mechanism of two 1" air gaps assembled in 10 feet of conductor. Install at the selected location in place of a standard conductor section. The gap mechanism is shipped completely wired and assembled. Refer to the temperature gap chart and set air gap clearances as indicated.

Locate mid point of conductor on either side of the expansion gap assemblies and anchor these hangers as per instructions in step 1.



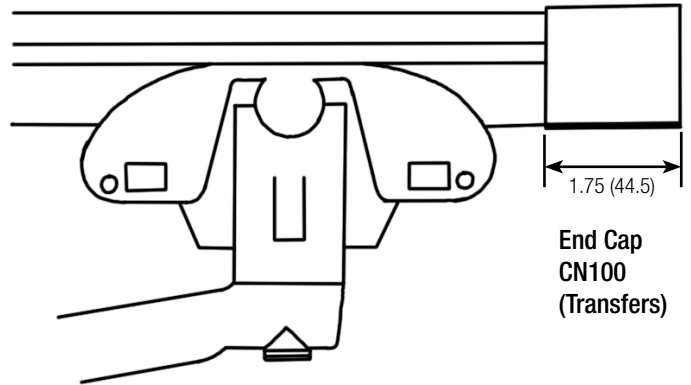
Gap Settings



- Notes:**
1. Expansion gaps should be provided for over 300 Ft. run of steel rail, or 200 Ft. of copper rail.
 2. Use tandem collectors for power through gaps.
 3. Set gap per chart, according to rail temp.

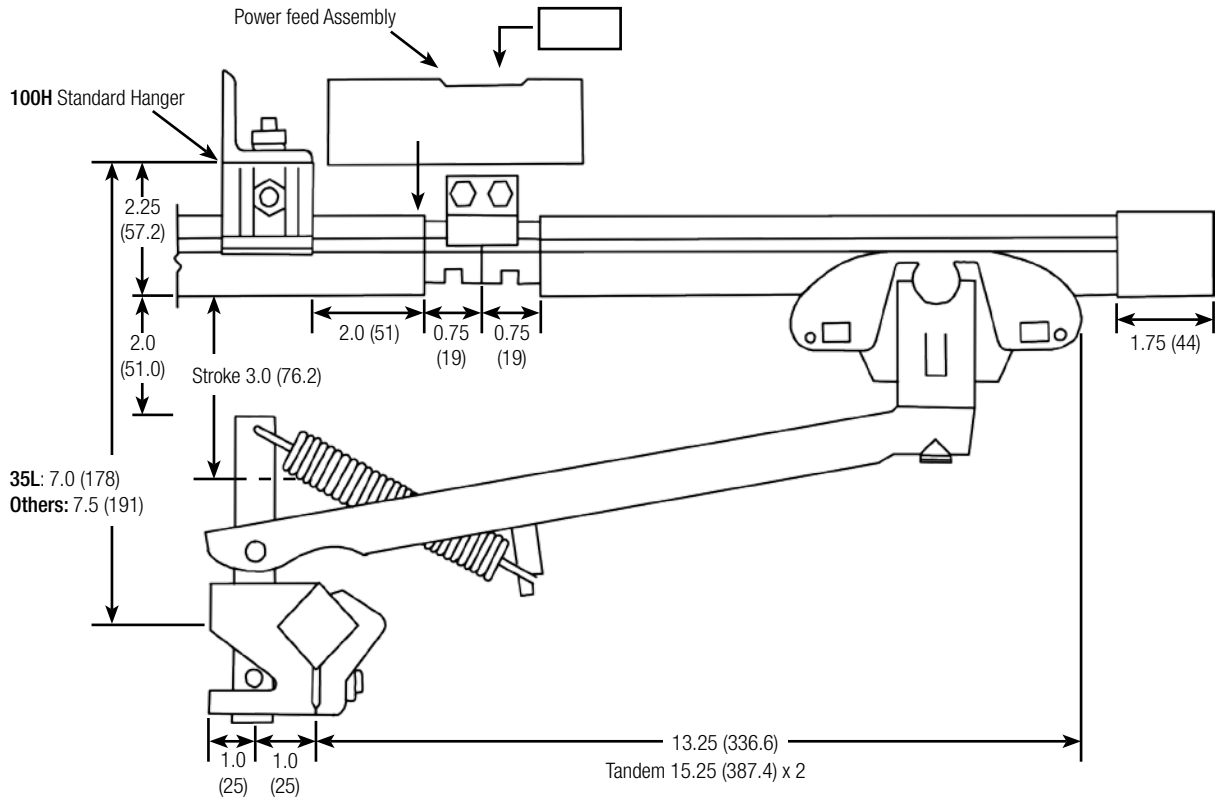
End Caps

To protect the exposed conductor rail ends by tapping into place in the end of the conductor and overlapping the insulating cover with the plastic end cap. On the male conductor end, it is necessary to pull the splice pins before installing then end cap.



Collectors

Identify the collectors you have selected and mount the 1" (25.4) square collector pole according to the collector drawings. Make certain collectors are mounted directly under the correct conductor rail and are mounted within their operating tolerances. When conductors are spaced closer than 2" (50.8), collectors must be staggered for proper operation clearance.



150E
150L
150LL



Pick up Guides / Transfer Guides

Conductors and collectors must be mounted on 3" centers and will accommodate 30, 60, 100, 35 and 70 collector heads. Our 150 series collectors cannot be used with either guide. These guides must be supported by hanger brackets so that the conductor is rigidly suspended at transfer locations.

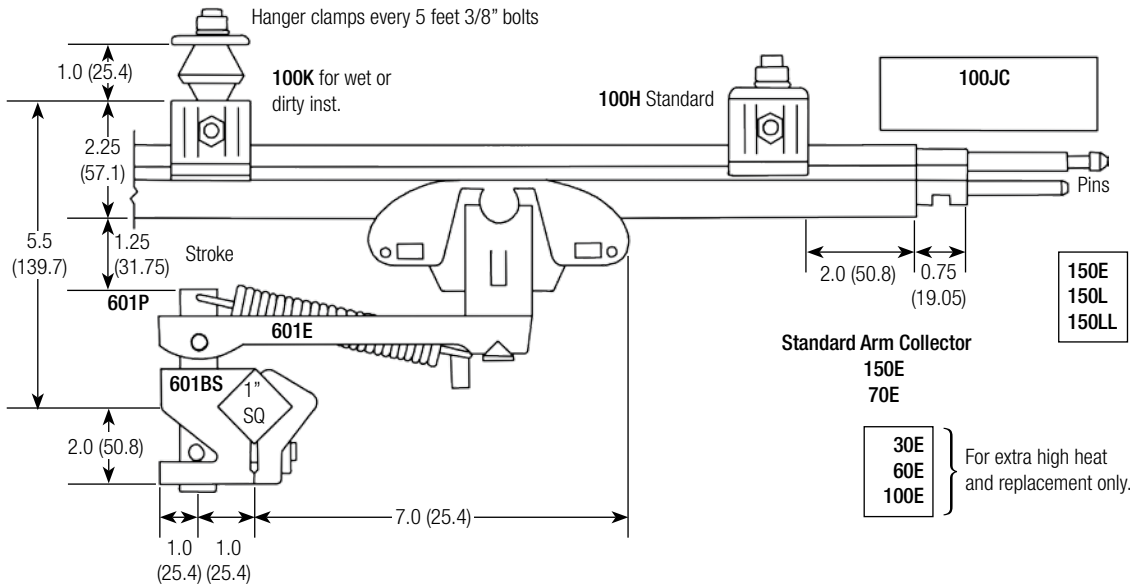
Transfer guides are used to accommodate excessive misalignment of rail ends at transfers, conductor to conductor. Do not use as pick up guides.

Pick up guides

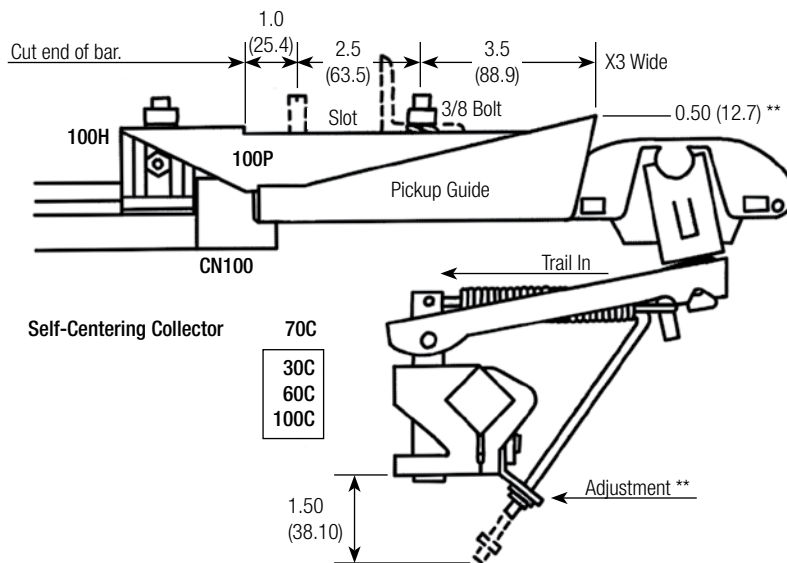
These require self centering collectors and where possible, they should trail into the pick up guide for proper operation.

Where collector must lead into pick up guide collector head must be modified. Consult factory. Do not use pick up guides in place of transfer guides or vice versa.

Transfer guides use standard collectors, except for the 150 series which cannot be used.



*NOTE: 5.0 (127) (Tandem 9.0 (228.6) x 2.0 (50.8))



www.conductix.us

Conductix-Wampfler

10102 F Street
Omaha, NE 68127
USA

Customer Support
Phone: 800 521 4888
Fax: 800 780 8329

Phone: 402 339 9300
Fax: 402 339 9627

info.us@conductix.com
www.conductix.com

