

Model AM *Army Type Trolley Hoist*



Capacities 1/4 to 5 metric Tons

Suspension Trolley (Available for patented track and wide flange beam)

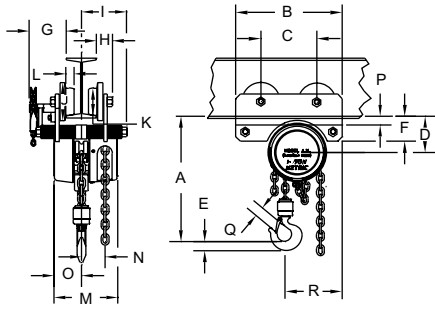
- Options**
- Chain container
 - Drop stops/bumpers
 - Zinc plated load and hand chain
 - Available for patented track and special beams
 - Load Limiter

Model AM Features

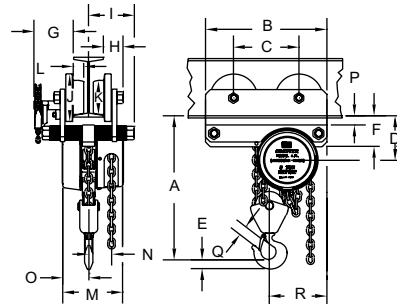
- Lightweight and compact
- Metric capacity
- Steel construction with heat treated load bearing components
- Steel gear and handwheel covers for impact resistance and durability
- Alloy steel heat treated load chain
- Forged steel hooks
- 4-to-1 design factor
- Simple assembly and low maintenance
- Tested to 125% of capacity
- Efficient, durable, replaceable components
- Excellent headroom
- Ball bearing fully machined wheels

There's a BUDGIT Hoist Solution for Every job

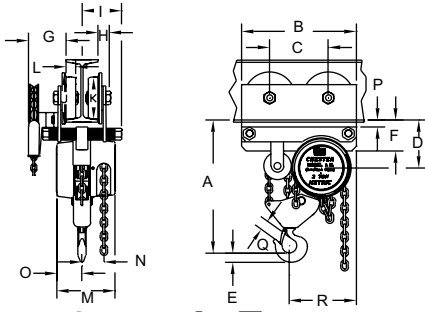
Model AM



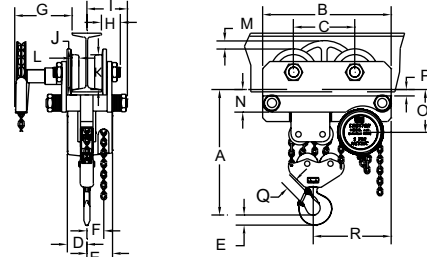
1/4 to 1 metric Ton



2 metric Ton



3 metric Ton



5 metric Ton

Capacity	Beam Flange Width	A	B	C	D	E	F	G	H	I	J	K	L	M	N	O	P	Q	R
Tons	in.	in.	in.	in.	in.	in.	in.	in.	in.	in.	in.	in.	in.	in.	in.	in.	in.	in.	in.
1/4																			
1/2	2-5/8 to 4-5/8	11-1/16	11-1/4	5-15/16	3-15/16	3/4	2-13/16	4-7/8	2-1/16	4-1/4	4	2-7/8	7/8	6-1/2	2-1/2	2-13/16	1-1/16	7/8	4-3/4
1																			
2	3 to 5-1/2	13-11/16	12-3/4	6-7/8	4-11/16	1	3-1/4	5	2	5-7/16	5	3-3/4	1-1/16	6-1/2	2-1/2	2-13/16	1	1	4-3/16
3	3-3/8 to 6	15-5/8	14	7-1/2	5-9/16	1-1/8	4-1/8	7-1/2	2-1/4	5-1/2	6	4-1/2	1-7/64	6-1/2	2-1/2	2-13/16	1-1/16	1-1/8	7
5	4 to 6-1/4	18-5/16	17-9/16	8-3/16	2-13/16	1-7/16	2-1/2	6-13/16	2-5/8	5-7/16	6-11/32	4-3/4	1	1-1/4	3-1/8	5-7/8	7/8	1-3/8	9-3/16

* For plain units "I" is the same for both sides of the unit

Catalog #	Capacity	Standard Lift	Hoist Hand Chain Pull		Hand Chain Overall Per foot of Lift		Approx. Weight		Add for each additional foot of Lift over 10'	
			lbs.	ft.	lbs.	ft.	lbs.	lbs.		
913614 (plain)	1/4	10	64	44	44	90	1.2			
913622 (geared)	1/4	10	64	44	44	90	1.2			
913615 (plain)	1/2	10	64	44	44	90	1.2			
913623 (geared)	1/2	10	64	44	44	90	1.2			
913616 (plain)	1	10	64	44	44	90	1.2			
913624 (geared)	1	10	64	44	44	90	1.2			
913617 (plain)	2	10	66	88	88	105	1.8			
913625 (geared)	2	10	66	88	88	105	1.8			
913618 (plain)	3	10	68	132	132	125	2.5			
913626 (geared)	3	10	68	132	132	125	2.5			
913619 (plain)	5	10	70	220	220	160	3.6			
913627 (geared)	5	10	70	220	220	160	3.6			

⚠ WARNING

To avoid injury:

- Do not exceed working load limit, load rating, or capacity.
- Do not use to lift people or loads over people.
- Read and follow all instructions

There's a BUDGIT Hoist Solution for Every job



Budget Hoists
A Columbus McKinnon Brand
 414 West Broadway Ave • P.O. Box 769
 Muskegon, MI 49443-0769
 Phone 800-742-9269 • Fax 800-742-9270
www.budgethoists.com

BUDGIT[®]
Hoists

LT/BC-H3007-0407