

# SLB Silver Series lever chain hoists

## 0.75 to 6 metric ton line pull capacities

Ingersoll Rand SLB Silver Series lever hoists offer the ultimate in performance, durability, and safety for a variety of demanding applications. The high-strength, all-stamped steel construction offers decreased weight and better impact resistance. The automatic inertia brake engages if load is applied in free-chain mode, helping minimize operator setup error.

- Open-frame design for easy cleaning and inspection
- Encased and retained roller bearings for increased efficiency and ease of maintenance
- Premium-grade alloy load chain
- Hardened swivel-latch hooks
- Nickel-/ chrome-plated exterior and zinc-plated frame components for increased corrosion resistance
- Double reduction gearing for superior spotting characteristics and low handle effort
- Deep lug knobs for easy one-handed operation with or without gloves
- Short handle and stroke allows 360° operation for rigging in tight spaces

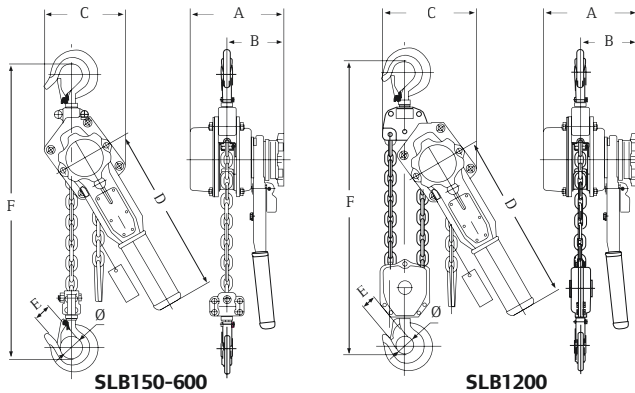


Double chain guides for proper load chain tracking and smooth operation around load sheave

CE Certified; hoists meet or exceed regional requirements including ASMEB30.21, HST-3M



SHIPYARD HOOK



### ▶ HOW TO ORDER

**Example:** Base Model SLB200 - Lift 20 - Option B

Bullard bottom hook = B (available up to 1.50 ton only)

Shipyards hooks (top and bottom) = S  
1.50 and 3 ton units only

### SLB Series Dimensions (in)

Model	A	B	C	D	E	F (min)	Ø
SLB150	6.2	3.6	5.2	12.1	1.1	13	1.5
SLB200	6.4	3.7	5.5	12.1	1.3	14.4	1.6
SLB300	7.3	4.2	5.7	14.9	1.4	15.7	1.8
SLB300-S	7.3	4.2	5.7	14.9	1.4	16.8	1.8

Model	A	B	C	D	E	F (min)	Ø
SLB600	8.4	4.6	7.8	16.5	1.7	20.5	2.2
SLB600-S	8.4	4.6	7.8	16.5	1.7	21.5	2.3
SLB1200	8.4	4.6	9.1	16.5	2	25.2	2.6

### SLB Series Specifications

Model	Capacity		# Falls	Pull to Lift Rated Load		Chain Size mm	Chain Weight per Foot		Shipping Weight with 10' of Lift	
	lb	metric tons		lb	kg		lb	kg	lb	kg
SLB150	1,650	0.75	1	41	18.6	6 x 18	0.5	0.2	16	7.3
SLB200	2,200	1	1	60	27.3	6 x 18	0.5	0.2	16	7.3
SLB300	3,300	1.50	1	53	24.1	7.1 x 21.2	0.7	0.3	26	11.8
SLB600	6,600	3	1	53	24.1	10 x 30	1.5	0.7	46	20.9
SLB1200	13,200	6	2	57	25.9	10 x 30	2.9	1.3	69	31.4