

LV Classic Series lever chain hoists

0.75 to 6 metric ton line pull capacities

Features

A rugged, dependable lever chain hoist with capacities and features that make it ideal for all industrial lifting, pulling, and positioning applications.

- Forged steel alloy load hooks have wide throat openings with slip-resistant barbed tips to better retain slings

Improved performance

- Minimal effort in compact design
- Heat-treated gears and pinions
- 360° rotation handle needs only 15° handle movement to ratchet and position loads. A big plus in tight places
- Responsive load control through six pinion gear teeth and a four pocket load sheave
- Easy free chaining operation
- Single fall, 3 ton model for increased portability
- Double reduction gearing for superior spotting characteristics
- A comfortable slip resistant rubber grip handle — even with a glove

Rugged construction

- Meets ASME B30.21 and HST-3M design and performance standards
- High-strength, cold-formed, all stamped steel construction decreases weight while increasing external impact resistance
- Open frame design for easy cleaning and inspection
- Grade 100 alloy chain



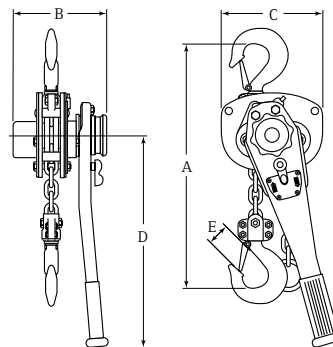
LV Series Specifications

Model	Capacity		# Falls	Pull to Lift Rated Load		Chain Size mm	Chain Weight per Foot		Shipping Weight with 10' of Lift	
	lb	metric tons		lb	kg		lb	kg	lb	kg
LV150	1,650	0.75	1	35	15.9	6.3 x 19.2	0.6	0.3	16	7.3
LV300	3,300	1.50	1	40	18.2	7.1 x 21.2	0.7	0.3	24	10.9
LV600	6,600	3	1	73	33.2	9 x 27.2	1.2	0.5	38	17.3
LV1200	13,200	6	2	77	35	9 x 27.2	2.4	1.1	61	27.7

LV Series Dimensions (in)

Model	A (min)	B	C	D	E
LV150	11.6	5.8	5	9.8	1.1
LV300	12.8	6.4	5.8	14.2	1.3
LV600	15.6	7.6	7.1	14.2	1.7
LV1200	23.2	7.6	9.3	14.2	1.9

Note: Dimensions are subject to change.



New Option "L" Aircraft Handling, Free Chain Lockout Kits¹

Part No.	Used on Models
LV150-KLOCK	All LV150
LV300-KLOCK	All LV300
LV600-KLOCK	All LV600 and LV1200



Note: (1) Kits replace free chain latch on LV models with a fixed member prohibiting disengagement and the ability to free chain.

HOW TO ORDER

Example: Base Model - Lift Option
LV300- - 10 L

- S*COR*E load chain = N
- Aircraft handling, free chain lockout = L
- Bottom bullard hook = B (available up to 1.50 ton only)

Note: S*COR*E options provide improved protection, durability and performance for hoist operating in corrosive or harsh environments or where additional spark resistance is desirable.