

YALE HAND CHAIN HOISTS



**OVER 100 YEARS
OF INDUSTRIAL LIFTING EXPERIENCE**

Yale Load King LH2 Hook Mount Hand Hoists

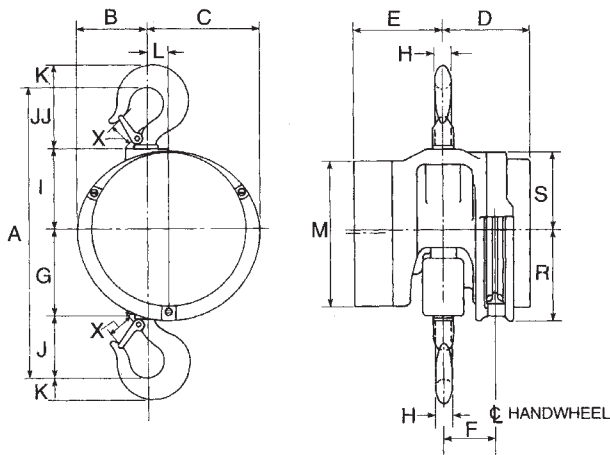
Capacity range: 1/4–10 ton

One of the most popular and reliable hoists ever designed, the Load King LH2 combines superior engineering, efficiency and durability. Available in a variety of capacities from 1/4 ton to 10 tons, Load King LH2 features:

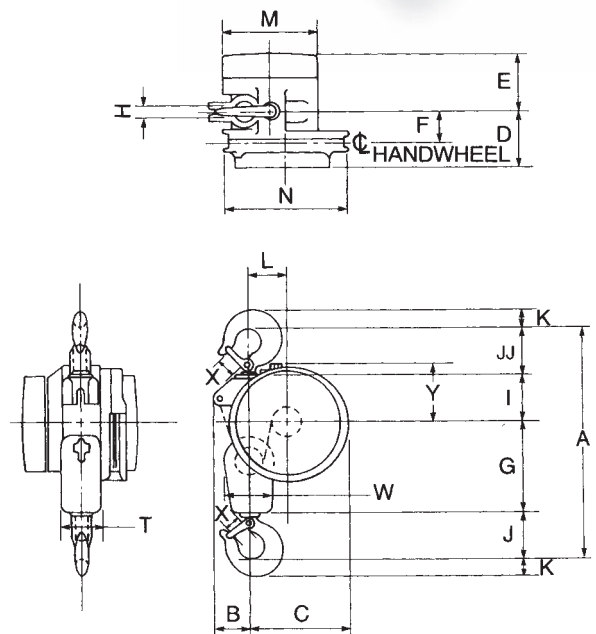
- Most interchangeability of parts in the industry
- Standard Load Limiter for simple, automatic overload protection
- Enclosed contoured Weston-type automatic brake for positive load control
- High-efficiency spur gearing for greater lift with minimum effort
- Rugged Hoistaloy chain for added strength and durability
- Fully machined, forged liftwheel pockets for easier lifting and smooth free chaining
- High-strength aluminum alloy castings in frame and covers
- Inspected over 75 times to meet or exceed HST/ASME/ANSI performance and safety standards
- Standard hand chain drop is 2 feet less than lift, (example: 8 foot lift hoist has 6 foot hand chain drop)
- Chain containers, zinc-plated load and hand chain aluminum unwelded hand chain, Latchlok hooks, bronze hooks, eye-type suspension, bullard hooks and units without Load Limiter optional, depending on capacity
- Lifetime warranty
- Metric rated
- Made in U.S.

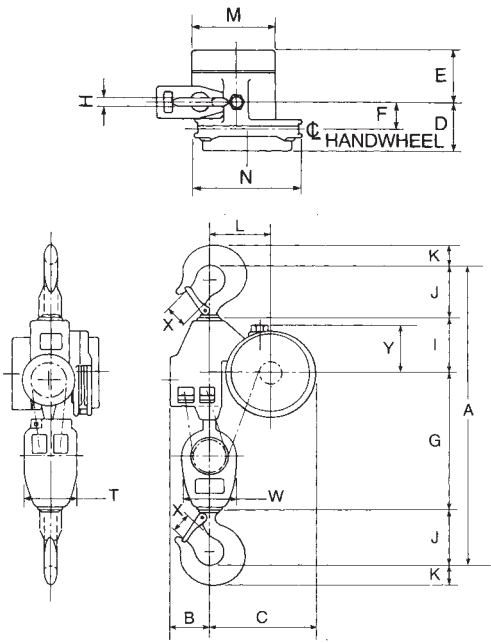


1/4 – 2 ton

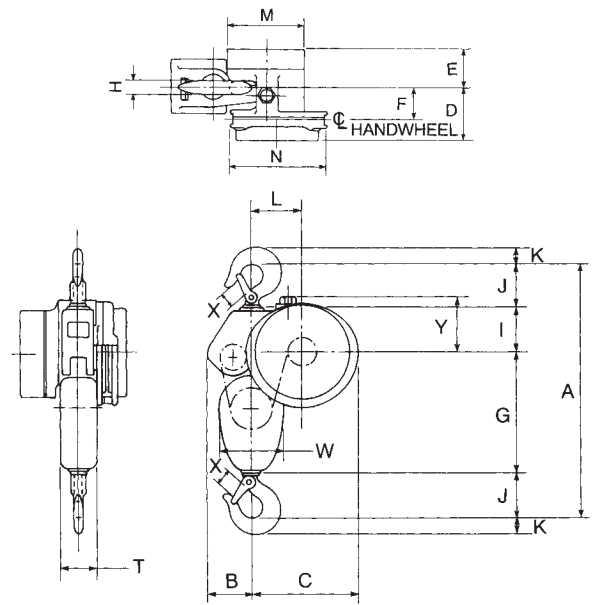


3 – 4 ton





8 - 10 ton



5 - 6 ton

Specifications

Rated Capacity* (Tons)	Product Code	Standard Lift† (ft.)	Reeving	Minimum Distance Between Hooks (in.)	Chain Overhauled to Lift One Foot (ft.)	Chain Pull to Lift Full Load (lbs.)	Shipping Weight (lbs.)
1/4	924-02100	8	1	12 7/8	22 1/2	23	37
1/2	924-03100	8	1	12 7/8	22 1/2	46	37
1	924-05100	8	1	14	30	69	40
1 1/2	924-06100	8	1	17 5/16	40 1/2	80	65
2	924-07100	8	1	17 5/16	52	83	64
3	924-09100	8	2	21 1/2	81	85	96
4	924-11100	8	2	21 1/2	104	88	96
5	924-13100	8	3	24 1/4	156	75	128
6	924-14100	8	3	25 1/4	156	90	132
8	924-16100	8	4	34 1/2	208	89	235
10	924-17100	8	5	35 1/2	260	95	249

† Can be supplied with larger lifts.

Clearance Dimensions (in.)

Dimension	Rated Capacity* (tons)								
	1/4	1/2	1	1 1/2 & 2	3 & 4	5	6	8	10
A	12 7/8	12 7/8	14	17 5/16	21 1/2	24 1/4	25	34 1/2	35 1/2
B	3 11/16	3 11/16	3 11/16	4 3/16	3 9/16	4 3/16	4 3/16	4 3/4	4 3/4
C	7 9/16	7 9/16	7 9/16	6 11/16	8 15/16	10 9/16	10 9/16	12 3/4	12 3/4
D	4 1/8	4 1/8	4 1/8	5 1/16	5 1/16	4 7/8	4 7/8	5 13/16	5 13/16
E	3 1/4	3 1/4	3 1/4	4 13/16	4 13/16	5	5	4 1/16	4 1/16
F	2 1/16	2 1/16	2 1/16	3 3/8	3	2 15/16	2 15/16	3 3/4	3 3/4
G	3 7/8	3 7/8	3 3/4	5 3/16	8 1/4	11 13/16	11 13/16	17 3/16	17 3/16
H	1 1/16	1 1/16	1 3/16	1 1/8	1 1/4	1 1/4	1 3/8	1 11/16	1 13/16
I	3 3/4	3 3/4	3 3/4	4 13/16	4 1/4	4 3/16	4 3/16	6 1/16	6 1/16
J	2 5/8	2 5/8	2 15/16	3 5/8	4 1/8	4 1/8	4 5/8	5 5/8	6 1/8
JJ	2 5/8	2 5/8	3 3/16	3 11/16	4 7/8	—	—	—	—
K	1 5/16	1 5/16	1 1/8	1 1/2	1 11/16	1 11/16	1 7/8	2 1/4	2 9/16
L	1 3/4	1 3/4	1 3/4	1 1/4	3 1/2	4 7/8	4 7/8	7 5/16	7 5/16
M	7 1/16	7 1/16	7 1/16	8 5/8	8 5/8	8 5/8	8 5/8	8 5/8	8 5/8
N	—	—	—	—	10 7/8	10 7/8	10 7/8	10 7/8	10 7/8
R	5 7/16	5 7/16	5 7/16	5 7/16	—	—	—	—	—
S	4 11/16	4 11/16	4 11/16	4 11/16	—	—	—	—	—
T	—	—	—	—	3 7/8	4	4	6 3/8	6 3/8
W	—	—	—	—	4 1/2	6 1/4	6 1/4	6 7/16	6 7/16
X	1 1/32	1 1/32	1 1/8	1 5/16	1 5/8	1 5/8	1 3/4	2 1/16	2 5/16
Y	—	—	—	—	5 1/8	5 7/8	5 7/8	5 9/16	5 9/16

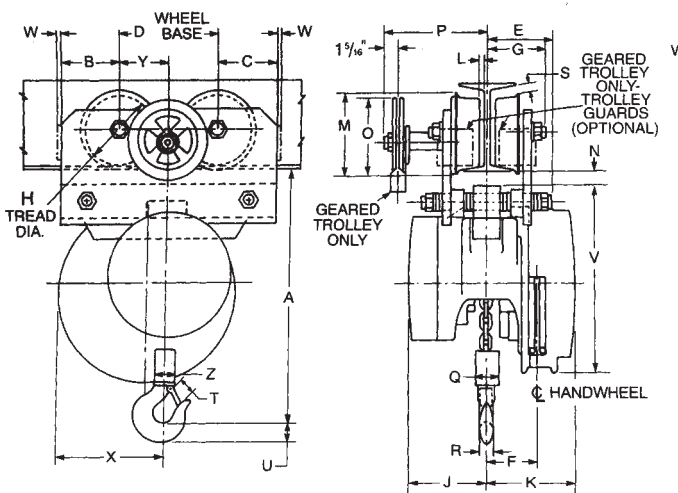
Yale Load King LTP2, LTG2 Army Type Trolley Hoist

Capacity range: 1/4–12 ton

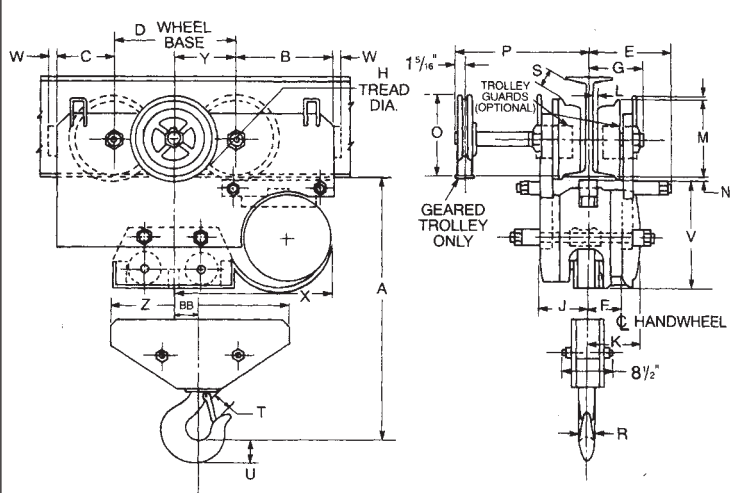


Same quality and performance as the Load King LH2 in a compact, low headroom integral trolley mount. Ideal for applications requiring a moveable hoist including:

- Rugged steel loadbars connected directly to hoist frame
- Reduced headroom., side clearances and end approach for easy maneuvering of heavy loads in tight places
- Standard Load Limiter automatic overload protection
- Plain and geared trolley mounts in capacities from 1/4 to 12 tons
- Universal tread trolley wheels for operation on sloped or flat flanged beams
- Standard hand chain drop 2 feet less than lift (example: 8 foot lift hoist has 6 foot hand chain drop)
- Chain containers, zinc-plated load and hand chain, aluminum unwelded hand chain, Latchlok hooks, bronze hooks, bullard hooks, larger beam trolleys, trolley guards, and units without Load Limiter optional, depending on capacity
- Lifetime warranty
- Metric rated
- Made in U.S.A.



1/4–6 Ton



8–12 Ton

Specifications

Rated Capacity* (Tons)	Product Code		Standard Lift (ft.)	Reeving	American Standard depth (in.) †	Beam Adjustment Ranges Flange Width (in.) †	Chain Pull to Lift Full Load	Chain Overhauled to Lift Load One Foot (ft.)	Minimum Headroom (in.)	Minimum Radius Curve (in.)	Shipping Weight (lbs.)	
	LTP2 Plain Trolley	LTG2 Geared Trolley									Plain Trolley	Geared Trolley
1/4	925-01400	925-01500	8	1	4-12 **	2 5/8-5 1/2	23	22 1/2	11 3/4	30	66	108
1/2	925-03400	925-03500	8	1	4-12 **	2 5/8-5 1/2	46	22 1/2	11 3/4	30	66	108
1	925-05400	925-05500	8	1	4-12 **	2 5/8-5 1/2	69	30	11 3/4	30	78	130
1 1/2	925-06400	925-06500	8	1	6-15	3 3/8-5 5/8	80	40 1/2	15 5/16	30	136	164
2	925-07400	925-07500	8	1	6-15	3 3/8-5 5/8	83	52	15 5/16	30	136	164
3	925-09400	925-09500	8	2	7-15	3 3/8-5 5/8	85	81	8 7/8	48	182	230
4	925-11400	925-11500	8	2	7-15	3 3/8-5 5/8	87	104	18 7/8	48	182	230
5	925-13400	925-13500	8	3	8-18	4-6 1/4	74	156	23 1/2	60	268	300
6	925-14400	925-14500	8	3	8-18	4-6 1/4	89	156	24	60	273	305
8	925-16400	925-16500	8	4	12-24	5-8	91	208	28 1/4	72	506	589
10	925-17400	925-17500	8	5	12-24	5-8	93	260	28 1/4	72	513	596
12	925-18400	925-18500	8	6	12-24	5 1/2-8	95	312	30 3/8	96	1050	1130

**For 1/4 through 1 ton geared trolleys—minimum beam size S6 x 12.5 (3 3/8 flange width)

† Universal tread trackwheels designed to operate on either sloped or flat flange beams, rails, or tracks

Clearance Dimensions (in.)

Dimension	Rated Capacity* (tons)															
	1/4, 1/2, & 1		1 1/2 & 2		3 & 4		5		6		8		10		12	
	Plain	Geared	Plain	Geared	Plain	Geared	Plain	Geared	Plain	Geared	Plain	Geared	Plain	Geared	Plain	Geared
A	11 3/4	11 13/16	15 5/16	15 5/16	18 7/8	18 7/8	23 1/2	23 1/2	24	24	28 1/4	28 1/4	28 1/4	28 1/4	30 3/8	30 3/8
B	4 3/16	4 3/8	3 11/16	3 11/16	5 3/4	5 3/4	6 1/2	6 1/2	6 1/2	6 1/2	8 15/16	8 15/16	8 15/16	8 15/16	10 7/8	10 7/8
C	2 9/16	2 9/16	3 11/16	3 11/16	3 7/16	3 7/16	3 3/4	3 3/4	3 3/4	3 3/4	5 1/4	5 1/4	5 1/4	5 1/4	7 3/16	7 3/16
D	6	6	6	6	6 7/8	6 7/8	7 3/4	7 3/4	7 3/4	7 3/4	11	11	11	11	11	11
E	4 1/2	4 15/16	5	5	5 7/16	5 7/16	6 1/8	6 1/8	6 1/8	6 1/8	7 1/4	7 1/4	7 1/4	7 1/4	7 1/4	7 1/4
F	2 1/16	2 1/16	3 3/8	3 3/8	3	3	2 13/16	2 13/16	2 13/16	2 13/16	3	3	3	3	3	3
G	3	3 3/4	3 3/8	3 3/4	4 5/16	4 5/16	4 15/16	4 15/16	4 15/16	4 15/16	5 9/16	5 9/16	5 9/16	5 9/16	5 13/16	5 13/16
H	3 1/8	4	4 3/4	4	5	5	6	6	6	6	8	8	8	8	8	8
J	3 1/4	3 1/4	4 13/16	4 13/16	4 13/16	4 13/16	5	5	5	5	4 13/16	4 13/16	4 13/16	4 13/16	4 13/16	4 13/16
K	4 1/8	4 1/8	5 1/16	5 1/16	5 1/16	5 1/16	4 7/8	4 7/8	4 7/8	4 7/8	5 1/16	5 1/16	5 1/16	5 1/16	5 1/16	5 1/16
L	5 1/8	5 1/8	1/2	5/16	1/4	1/4	3/8	3/8	3/8	3/8	1/2	1/2	1/2	1/2	1 1/16	1 1/16
M	4	4 3/4	5 5/16	4 3/4	5 7/8	5 7/8	7	7	7	7	9 7/16	9 7/16	9 7/16	9 7/16	9 1/2	9 1/2
N	1 1/2	9/16	9/16	9/16	1 1/16	1 1/16	1 1/16	1 1/16	1 1/16	1 1/16	1/2	1/2	1/2	1/2	7/16	7/16
O	—	5 9/16	—	5 9/16	6 1/8	6 1/8	6 3/4	6 3/4	6 3/4	6 3/4	7 9/16	7 9/16	7 9/16	7 9/16	7 9/16	7 9/16
P	—	10	—	10	8 15/16	8 15/16	10 7/16	10 7/16	10 7/16	10 7/16	11 7/16	11 7/16	11 7/16	11 7/16	11 11/16	11 11/16
Q	2	2	2 1/2	2 1/2	3 7/8	3 7/8	4	4	4	4	11 15/16	11 15/16	—	—	—	—
R	1 1/16	1 1/16	1 1/8	1 1/8	1 1/4	1 1/4	1 1/4	1 1/4	1 3/8	1 3/8	1 13/16	1 13/16	1 13/16	1 13/16	2 3/8	2 3/8
S	1 1/8	1 5/16	3/16	1 5/16	1 5/8	1 5/8	3/4	3/4	3/4	3/4	2 3/16	2 3/16	2 3/16	2 3/16	5 1/8	5 1/8
T	1	1	1 3/8	1 3/8	1 5/8	1 5/8	1 5/8	1 5/8	1 3/4	1 3/4	2 5/16	2 5/16	2 5/16	2 5/16	3	3
U	7/8	7/8	1 1/8	1 1/8	1 11/16	1 11/16	1 11/16	1 11/16	1 7/8	1 7/8	2 9/16	2 9/16	2 9/16	2 9/16	3	3
V	10 1/8	10 1/8	11 3/8	11 3/8	11 3/8	11 3/8	11 3/8	1 5/8	11 3/8	11 3/8	11 3/8	11 3/8	11 3/8	11 3/8	11 5/8	11 5/8
W	1/4	3/8	3/8	3/8	1/2	1/2	5/8	5/8	5/8	5/8	5/8	5/8	5/8	5/8	5/8	5/8
X	7 3/16	7 3/16	6 11/16	6 11/16	8 15/16	8 15/16	10 5/16	10 5/16	10 5/16	10 5/16	14 7/16	14 7/16	14 7/16	14 7/16	16 3/8	16 3/8
Y	3	3	3	3	3 7/16	3 7/16	3 7/8	3 7/8	3 7/8	3 7/8	5 1/2	5 1/2	5 1/2	5 1/2	5 1/2	5 1/2
Z	2	2	2 1/2	2 1/2	4 1/2	4 1/2	6 1/4	6 1/4	6 1/4	6 1/4	13 15/16	13 15/16	18 3/16	18 3/16	21 11/16	21 11/16
AA	—	—	—	—	—	—	—	—	—	—	3/8	3/8	3/8	3/8	3/8	3/8
BB	—	—	—	—	—	—	—	—	—	—	1 15/16	1 15/16	0	0	0	0

Note: Dimensions are based on minimum beam and may vary with larger beams.

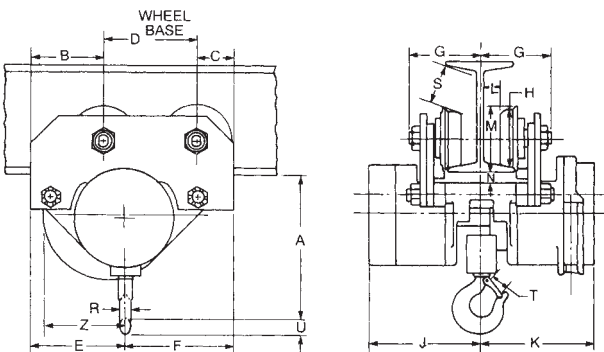
Yale Load King Low Headroom Trolley Hoist

Capacity range: 1/2–6 ton

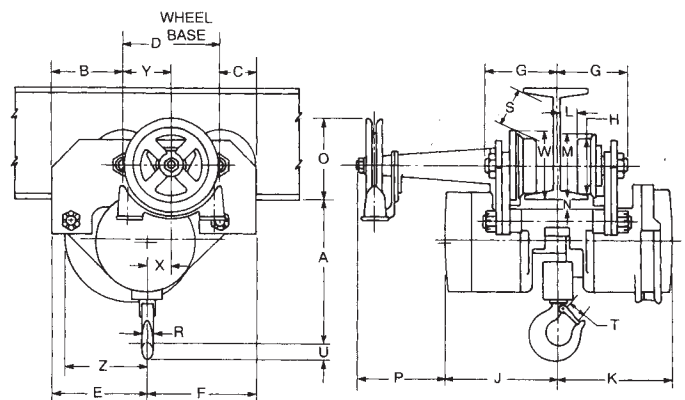


Hoist and trolley all in one unit for low headroom applications features:

- Crowned tread and flanged wheels to minimize rolling friction
- Simple, efficient design
- Reduced headroom, side clearances and end approach for easy maneuvering of loads in tight places
- Plain trolley mounts in capacities from 1/2 to 6 tons
- Geared trolley mounts in capacities from 1 1/2 to 6 tons
- Standard hand chain drop 2 feet less than lift (example: 8 foot lift hoist has 6 foot hand chain drop)
- Chain containers, zinc-plated load and hand chain, aluminum unwelded hand chain, Latchlok hooks, bronze hooks, bullard hooks, larger beam trolleys, trolley guards and units without Load Limiter optional, depending on capacity
- Standard Load Limiter/automatic overload protection
- Lifetime warranty
- Metric rated
- Made in U.S.A.



Plain trolley



Geared trolley

Specifications

Rated Capacity* (Tons)	Product Code		Standard Lift (ft.)	Reeving	American Standard depth (in.) ††	Beam Adjustment Ranges Flange Width (in.) ††	Chain Pull to Lift Full Load Foot (lbs.)	Chain Overhauled to Lift Load One Foot (ft.)	Minimum Headroom (in.)	Minimum Radius Curve (in.)	Shipping Weight (lbs.)	
	Plain Trolley	Geared Trolley									Plain Trolley	Geared Trolley
1/2	926-03400	—	8	1	6-12 ***	3 3/8-5	46	22 1/2	8 7/8	36	88	—
1	926-05400	—	8	1	6-12 ***	3 3/8-5	69	30	9 1/4	36	93	—
1 1/2	926-06400	926-06500	8	1	7-15 ***	3 3/8-5 1/2	80	40 1/2	12 1/2	48	186	210
2	926-07400	926-07500	8	1	7-15 †	3 3/8-5 1/2	83	52	12 1/2	48	186	216
3	926-09400	926-09500	8	2	7-15 †	3 3/8-5 1/2	85	81	14 1/8	48	203	233
4	926-11400	926-11500	8	2	8-24 †	4-7	88	104	16 3/4	96	308	372
5	926-13400	926-13500	8	3	8-24 †	4-7	75	156	18 1/4	96	328	370
6	926-14400	926-14500	8	3	8-24 †	4-7	90	156	18 3/4	96	333	375

** 1/2 and 1 ton also available for 4" and 5" S-beam, and 1 1/2 and 2 ton for 6" S-beam without extra charge

† Universal tread trackwheels designed to operate on either sloped or flat flange beams, rails, or tracks

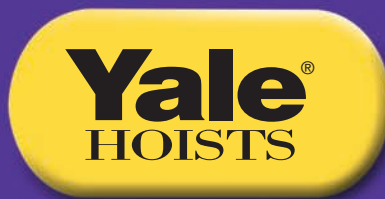
Also can be used on flat flange beams withing the same range of flange widths, provided beam depth will accommodate wheel diameter (check clearance diagram).

†† Applies to minimum size S-beam within adjustability range

Clearance Dimensions (in.)

Dimension	Rated Capacity* (tons)						
	1/2	1	1 1/2 & 2	3	4	5	6
A	8 7/8	9 1/4	12 1/2	14 1/8	16 3/4	18 1/4	18 3/4
B	3 3/8	3 3/8	6	6	7 3/8	7 3/8	7 3/8
C	3 3/8	3 3/8	3 1/8	3 1/8	4	4	4
D	6 1/2	6 1/2	7 3/4	7 3/4	9	9	9
E	6 7/8	6 3/4	7 5/8	10 1/2	11	11 7/8	11 7/8
F	6 3/4	6 7/8	9 1/4	6 3/8	9 3/8	8 1/2	8 1/2
G	3 3/4	3 3/4	5 1/8	5 1/8	5 7/8	5 7/8	5 7/8
H	4 3/4	4 3/4	4 5/8	4 5/8	5 7/8	5 7/8	5 7/8
J	6	6	9 5/16	9 5/16	10 9/16	10 9/16	10 9/16
K	8 1/8	8 1/8	9 5/8	9 5/8	11	11	11
L	1/2	1/2	1/2	1/2	1/2	1/2	1/2
M	5 7/16	5 7/16	5 3/8	5 3/8	6 3/4	6 3/4	6 3/4
N	1	1	1	1	1 1/8	1 1/8	1 1/8
O	—	—	6 3/4	6 3/4	6 1/2	6 1/2	6 1/2
P	—	—	4 7/8	4 7/8	4 1/4	4 1/4	4 1/4
R	1 1/16	1 3/16	1 1/8	1 1/4	1 1/4	1 1/4	1 3/8
S	5/16	5/16	1 3/8	1 3/8	1 1/16	1 1/16	1 1/16
T	1 1/32	1 1/8	1 5/16	1 5/8	1 5/8	1 5/8	1 3/4
U	1 5/16	1 1/8	1 1/2	1 1 1/16	1 1 1/16	1 1 1/16	1 1/8
W	—	—	5 5/8	5 5/8	7	7	7
X	—	—	2 1/4	5/8	7/8	—	—
Y	—	—	3 7/8	3 7/8	4 1/2	4 1/2	4 1/2
Z	7 3/8	7 1/4	6 5/8	9 1/2	9 1/2	10 3/8	10 3/8

Note: Dimensions G, L, M, O, P, S & W are shown for minimum S-beam and increase proportionally for larger beams. Dimension N is shown for minimum S-beam and decreases proportionally for larger beams.



For additional information contact your Yale representative or Yale headquarters direct.

⚠ WARNING

To Avoid Injury:

- Do not exceed working load limit, load rating, or capacity.
- Do not use to lift people or loads over people.
- Read and follow all instructions.

414 West Broadway Ave. • P.O. Box 769 • Muskegon, MI 49443

PH: 800-999-6318 • FX: 800-766-0223 • www.yalehoists.net

PRINTED IN U.S.A. / COPYRIGHT 2007, YALE® HOISTS, DIVISION OF COLUMBUS MCKINNON CORPORATION / BULLETIN NO Y/L-1008-0807

