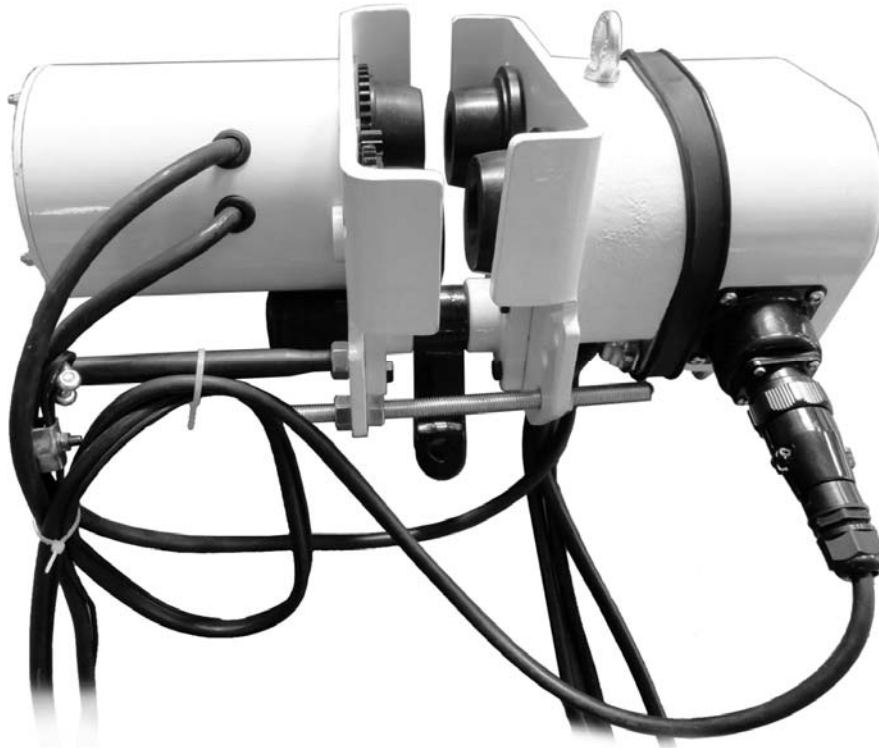




Operating Instructions and Parts Manual ET-C Series Electric Trolley



WALTER MEIER (Manufacturing) Inc.

427 New Sanford Road
LaVergne, Tennessee 37086
Ph.: 800-274-6848
www.waltermeier.com

Part No. M-262605
Revision C 06/2012

Copyright © 2012 Walter Meier (Manufacturing) Inc.

Warranty and Service

Walter Meier (Manufacturing) Inc., warrants every product it sells. If one of our tools needs service or repair, one of our Authorized Service Centers located throughout the United States can give you quick service. In most cases, any of these Walter Meier Authorized Service Centers can authorize warranty repair, assist you in obtaining parts, or perform routine maintenance and major repair on your JET® tools. For the name of an Authorized Service Center in your area call 1-800-274-6848.

MORE INFORMATION

Walter Meier is consistently adding new products to the line. For complete, up-to-date product information, check with your local Walter Meier distributor, or visit waltermeier.com.

WARRANTY

JET products carry a limited warranty which varies in duration based upon the product (MW = Metalworking, WW = Woodworking).

90 DAY WARRANTY	1 YEAR WARRANTY	Body Repair Kits Bottle Jacks Cable Pullers Cold Saws Hoists-Air Hoists-Electric Metal forming Mill/Drills Milling Machines MW Bandsaws MW Drill Presses MW Finishing Equipment MW Lathes MW Precision Vises	2 YEAR WARRANTY	Palet Trucks Rigging Equip. Service Jacks Stackers Surface Grinders Tapping Trolleys-Air Trolleys-Electric Web Slings Winches-Electric	3 YEAR WARRANTY	WW Benchtop Tools	Beam Clamps Chain Hoist- Manual Lever Hoists Pullers-JCH Models Scissor Lift Tables Screw Jacks Trolleys-Geared Trolleys-Plain Winches-Manual WW Air Filtration WW Bandsaws WW Buffers	5 YEAR WARRANTY	WW Drill Presses WW Dust Collectors WW Dust Filters WW Dust Fittings WW Jointers WW Lathes WW Planers WW Sanders WW Shapers WW Tablesaws	LIFE LIFETIME WARRANTY	Fastening Tools Mechanics Hand Tools Striking Tools Vises (no -precision) Clamps
<i>Warranty reverts to 1 Year Warranty if woodworking (WW) products listed above are used for industrial or educational purposes.</i>											

WHAT IS COVERED?

This warranty covers any defects in workmanship or materials subject to the exceptions stated below. Cutting tools, abrasives and other consumables are excluded from warranty coverage.

WHO IS COVERED?

This warranty covers only the initial purchaser of the product.

WHAT IS THE PERIOD OF COVERAGE?

The general JET warranty lasts for the time period specified in the product literature of each product.

WHAT IS NOT COVERED?

Five Year Warranties do not cover woodworking (WW) products used for commercial, industrial or educational purposes. Woodworking products with Five Year Warranties that are used for commercial, industrial or education purposes revert to a One Year Warranty. This warranty does not cover defects due directly or indirectly to misuse, abuse, negligence or accidents, normal wear-and-tear, improper repair or alterations, or lack of maintenance.

HOW TO GET SERVICE

The product or part must be returned for examination, postage prepaid, to a location designated by us. For the name of the location nearest you, please call 1-800-274-6848.

You must provide proof of initial purchase date and an explanation of the complaint must accompany the merchandise. If our inspection discloses a defect, we will repair or replace the product, or refund the purchase price, at our option. We will return the repaired product or replacement at our expense unless it is determined by us that there is no defect, or that the defect resulted from causes not within the scope of our warranty in which case we will, at your direction, dispose of or return the product. In the event you choose to have the product returned, you will be responsible for the shipping and handling costs of the return.

HOW STATE LAW APPLIES

This warranty gives you specific legal rights; you may also have other rights which vary from state to state.

LIMITATIONS ON THIS WARRANTY

WALTER MEIER (MANUFACTURING) INC., LIMITS ALL IMPLIED WARRANTIES TO THE PERIOD OF THE LIMITED WARRANTY FOR EACH PRODUCT. EXCEPT AS STATED HEREIN, ANY IMPLIED WARRANTIES OR MERCHANTABILITY AND FITNESS ARE EXCLUDED. SOME STATES DO NOT ALLOW LIMITATIONS ON HOW LONG THE IMPLIED WARRANTY LASTS, SO THE ABOVE LIMITATION MAY NOT APPLY TO YOU.

WALTER MEIER SHALL IN NO EVENT BE LIABLE FOR DEATH, INJURIES TO PERSONS OR PROPERTY, OR FOR INCIDENTAL, CONTINGENT, SPECIAL, OR CONSEQUENTIAL DAMAGES ARISING FROM THE USE OF OUR PRODUCTS. SOME STATES DO NOT ALLOW THE EXCLUSION OR LIMITATION OF INCIDENTAL OR CONSEQUENTIAL DAMAGES, SO THE ABOVE LIMITATION OR EXCLUSION MAY NOT APPLY TO YOU.

Walter Meier sells through distributors only. The specifications in Walter Meier catalogs are given as general information and are not binding. Members of Walter Meier reserve the right to effect at any time, without prior notice, those alterations to parts, fittings, and accessory equipment which they may deem necessary for any reason whatsoever. JET®-branded products are not sold in Canada by Walter Meier.

Table of Contents

Warranty and Service.....	2
Table of Contents	3
Introduction	3
Warning	4
Specifications	5
Unpacking.....	6
Contents of the Shipping Container	6
Installation and Assembly.....	6
Mount Trolley to Beam.....	6
Power and Pendant Cords	6
Electrical Instructions	8
Control Pendant Accessories.....	10
Troubleshooting.....	11
Replacement Parts	11
ET-C Series Trolley	12
Parts List: ET-C Series Trolley	13
Parts List: Lug Mount Assembly (Optional) for SS-3C,SS-1C and DS-3C Hoists	16
Electrical Components	17
Parts List: Electrical Components	18
Electrical Connections – Single Phase Only	19
Electrical Connections – 3 Phase Only	20
Electrical Connections – Control Pendants	21

Introduction

This manual is provided by Walter Meier (Manufacturing) Inc., covering the safe operation and maintenance procedures for a JET ET-C Series Electric Trolley. This manual contains instructions on installation, safety precautions, general operating procedures, maintenance instructions and parts breakdown. This machine has been designed and constructed to provide years of trouble free operation if used in accordance with instructions set forth in this manual. If there are any questions or comments, please contact either your local supplier or Walter Meier. Walter Meier can also be reached at our web site: www.waltermeier.com.

Record your purchase information here for quick reference:

Model No.:	Stock No.:	Serial No.:
Purchased From:		Date Purchased:
Date Installed:	Installer:	

Warnings

- Read and understand this entire manual before attempting assembly or operation. You should also be thoroughly familiar with all information in the owner's manual that accompanied your hoist.
- Read and understand the warnings posted on the machine and in this manual. Failure to comply with all of these warnings may cause serious injury.
- Replace the warning labels if they become obscured or removed.
- This trolley is designed and intended for use by properly trained and experienced personnel only. If you are not familiar with the proper and safe operation of a trolley, do not use until proper training and knowledge have been obtained.
- Do not use this trolley for other than its intended use. If used for other purposes, Walter Meier (Manufacturing) Inc., disclaims any real or implied warranty and holds itself harmless from any injury that may result from that use.
- Do not install this trolley where explosive hazards may exist.
- Beam must be properly installed and rated for anticipated loads. Do not install trolley on beams of unknown capacity.
- Do not install trolley on damaged or deformed beams.
- JET trolleys are designed to be used with hoists of the same rated capacity. Never use a hoist with a capacity greater than the capacity of the trolley.
- Never subject trolley to a side pull or load. Load must be centered directly under the hoist/trolley assembly.
- Make sure load is stable and secure before moving.
- Never lift load higher than is necessary to safely move it.
- Do not use to lift people, or loads over people. Warn others in the vicinity when lifting or transporting a load. Avoid swinging load and hook.
- Do not use in wet, damp or poorly lit locations.
- Do not exceed the rated capacity of the trolley.
- Maintain firm footing when operating the trolley.
- Always inspect the trolley for damage prior to use. If the trolley is damaged, do not use until it has been repaired or replaced.
- Leave all internal maintenance to a qualified Walter Meier service center.
- Do not operate this trolley while tired or under the influence of drugs, alcohol or any medication.

Familiarize yourself with the following safety notices used in this manual:

CAUTION This means that if precautions are not heeded, it may result in minor injury and/or possible machine damage.

WARNING This means that if precautions are not heeded, it may result in serious injury or possibly even death.

- - SAVE THESE INSTRUCTIONS - -

Specifications

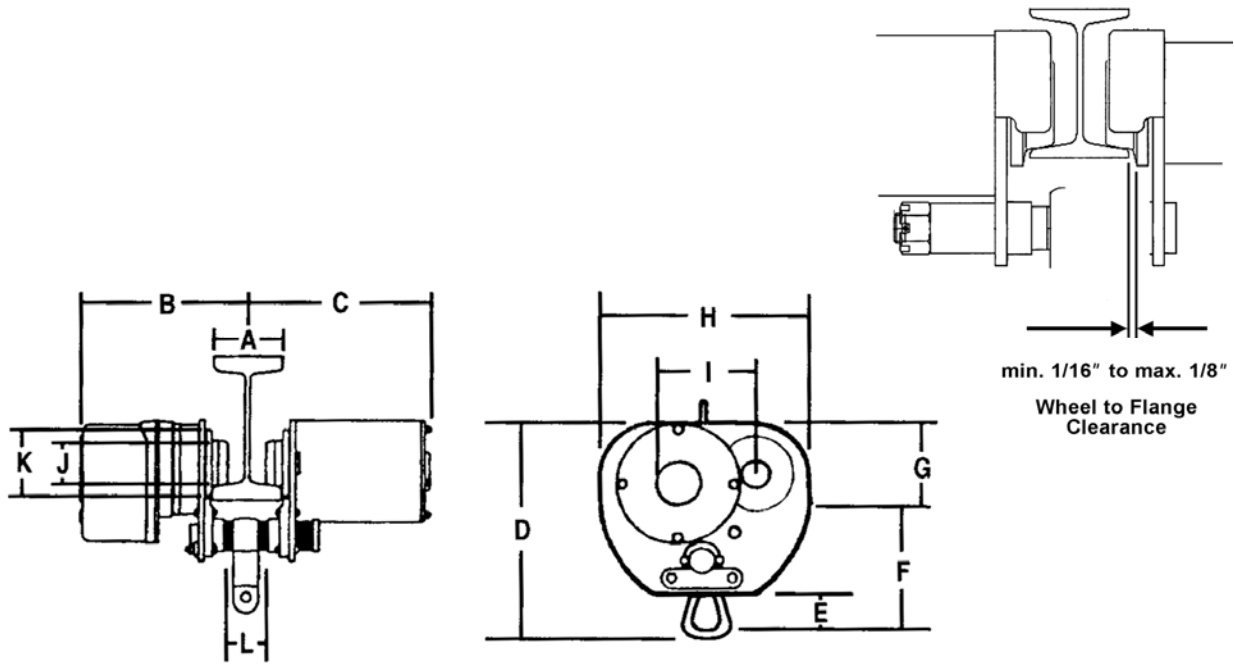


Figure 1

Stock No.	Model	A (min.-max.)	B	C	D	E	F	G	H	I	J	K	L
262605	1/2ET-3C	3-5	9 1/8	10	10	2	6 1/2	3 1/2	9 11/16	4 1/2	2 3/4	3 11/16	1 5/8
262610	1ET-3C	3-5	9 1/8	10	10	2	6 1/2	3 1/2	9 11/16	4 1/2	2 3/4	3 11/16	1 5/8
262620	2ET-3C	4-6	9 3/4	10 5/8	11 1/2	2 43/64	7 43/64	4	12 43/64	5 1/4	3 1/4	4 3/4	1 19/32
262630	3ET-3C	4-6	10	12 27/32	14 5/32	3	9 5/32	5	12 7/16	4 1/4	4	6	1 9/16
262250	5ET-3C	5-7	10 11/16	13 5/8	16 1/2	4	10 1/2	6	13 1/4	4 7/16	4	6 1/4	2 1/8
272705	1/2ET-1C	3-5	9 1/8	10	10	2	6 1/2	3 1/2	9 11/16	4 1/2	2 3/4	3 11/16	1 5/8
272710	1ET-1C	3-5	9 1/8	10	10	2	6 1/2	3 1/2	9 11/16	4 1/2	2 3/4	3 11/16	1 5/8
272720	2ET-1C	4-6	9 3/4	10 5/8	11 1/2	2 43/64	7 43/64	4	12 43/64	5 1/4	3 1/4	4 3/4	1 19/32
272730	3ET-1C	4-6	10	12 27/32	14 5/32	3	9 5/32	5	12 7/16	4 1/4	4	6	1 9/16
272750	5ET-1C	5-7	10 11/16	13 5/8	16 1/2	4	10 1/2	6	13 1/4	4 7/16	4	6 1/4	2 1/8

Stock No.	Model	Capacity (ton)	Beam Flange Width (in.)	Minimum Radius Curve (in.)	Travel Speed (FPM)	Motor	Approximate Net Weight (lbs.)
262605	1/2ET-3C	1/2	3-5	43.3	39.36	3 Phase, 230/460V (prewired 460V)	82
262610	1ET-3C	1	3-5	43.3	39.36		82
262620	2ET-3C	2	4-6	59	39.36		112
262630	3ET-3C	3	4-6	59	39.36		148
262250	5ET-3C	5	5-7	78.75	39.36		185
272705	1/2ET-1C	1/2	3-5	43.3	39.36	1 Phase, 115/230V (prewired 230V)	84
272710	1ET-1C	1	3-5	43.3	39.36		84
272720	2ET-1C	2	4-6	59	39.36		114
272730	3ET-1C	3	4-6	59	39.36		150
272750	5ET-1C	5	5-7	78.75	39.36		187

The above specifications were current at the time this manual was published, but because of our policy of continuous improvement, Walter Meier reserves the right to change specifications at any time and without prior notice, without incurring obligations.

Unpacking

Open shipping container and check for shipping damage. Report any damage immediately to your distributor and shipping agent. Do not discard any shipping material until the Trolley is assembled and running properly.

Compare the contents of your container with the following parts list to make sure all parts are intact. Missing parts, if any, should be reported to your distributor. Read the instruction manual thoroughly for assembly, maintenance and safety instructions.

Contents of the Shipping Container

- 1 Electric Trolley
- 1 Cord holder with cable tie
- 12 Phillips Pan Head Screws, M5x12
- 12 Lock Washers, 5mm
- 1 Owner's Manual
- 1 Warranty Card

Installation and Assembly

The ET-C Series trolley is designed to run on standard "I" beams, wide-flanged "H" beams, or curved track with a minimum radius shown in the chart on page 5.

Mount Trolley to Beam

CAUTION The trolley is heavy; use an assistant or a lifting device to help stabilize it while you assemble it to the beam.

1. Loosen the hex nuts (A, Figure 2) on the adjusting screw, and remove the adjusting screw.
2. Remove the two hex nuts (B, Figure 2) with the plate (C, Figure 2).
3. Slide out the suspension shaft with the spacers (D, Figure 2).
4. Assemble the trolley to the beam. The trolley must be installed on a beam with a minimum clearance (wheels to flange) of 1/16" to a maximum of 1/8" on each side of the beam (see Figure 1, page 5). Position the side plates (E, Figure 2) to achieve this measurement on your beam.
5. Re-install the suspension shaft, while using the spacers (D) to achieve the required width. Spacers **must** be moved in sets of two, placing equal numbers on both sides of the hoist hanger to maintain the centerline of the trolley. Place any extra spacers on the outside of the shaft, as shown in Figure 2.

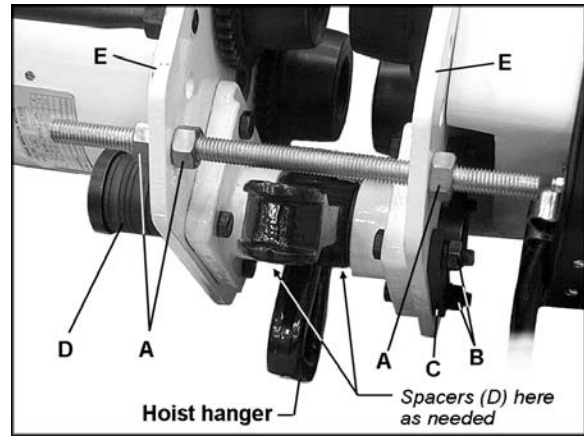


Figure 2

6. Re-install the plate (C) and two hex nuts (B), and tighten the hex nuts.
7. Reinstall the adjusting screw and hex nuts (A) and adjust to the proper width.
8. Double-check the wheel clearance on the beam, and make further adjustments if necessary.

Power and Pendant Cords

NOTE: A pendant cord is not supplied with the trolley, and must be purchased separately. If you need to change the voltage requirements on the trolley, it is more convenient to do that *before* installing a pendant cord. See "Voltage Conversion" on page 9.

1. Thread the cord holder (Figure 3) into the hole on the motor side plate and tighten the jam nut and lock washer. The ring on the cord holder should be positioned vertically.

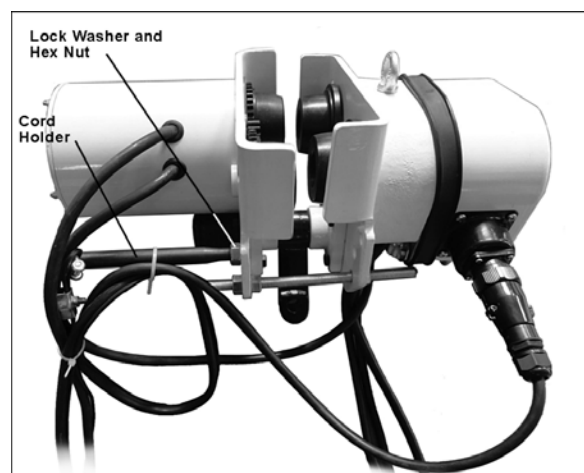


Figure 3

2. Insert the male plug of the pendant cord into the socket on the trolley. See Figure 4. Secure the connection by tightening the cover nut with your fingers.
3. Attach the pendant cord to the cord holder. The cord must be secured to the cord holder in a way that relieves strain on the connections. One method of doing this is to form a loop in the pendant cord and place the cable tie as shown in Figure 5. Do not tighten the cable tie yet.
4. Create sufficient slack in the pendant cord where it passes under the I-beam (Figure 6) so that the cord will not rub against the beam.
5. Tighten the cable tie to secure the pendant cord to the cord holder.

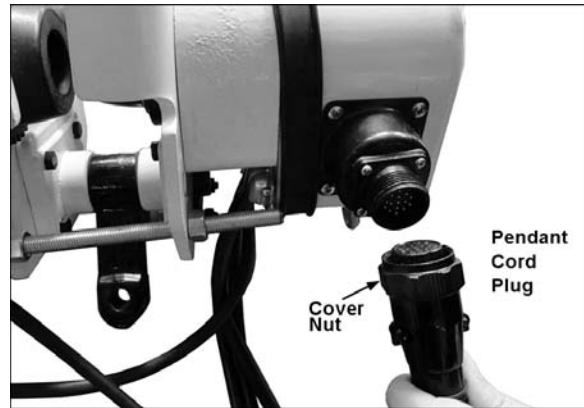


Figure 4

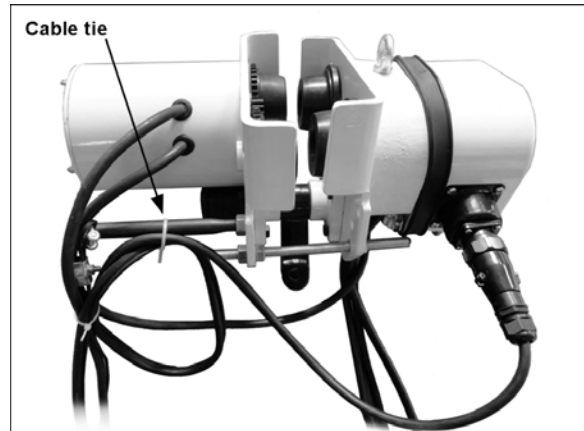


Figure 5

Mounting Your Hoist

This trolley has been designed to work with the JET C-Series Hoist. They can be connected so that one pendant cord and power cord will operate both trolley and hoist. Make sure the hoist has been set to the same voltage specifications as the trolley.

Make connections from the trolley to your hoist as follows:

1. Hang the hoist on the trolley hanger, using hook or lug mount. (See page 8 for instructions on installing the optional lug mount.) The hoist should be positioned so that the electrical socket on the trolley is on the same side as the sockets on the hoist, as shown in Figure 6.
2. Remove the power cord and pendant cord from the hoist.
3. Connect the two 4P and 7P plugs of the trolley cords into their appropriate sockets on the hoist.

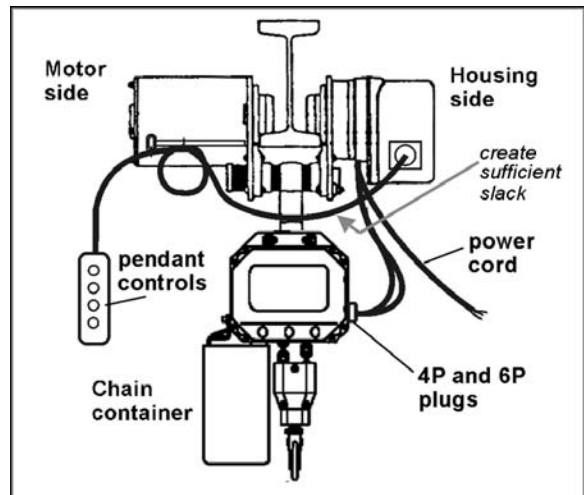


Figure 6

Installing Lug Mount Accessory

1. Assemble the side plates, hoist hanger and lug mounting shaft, as shown in Figure 7.
2. Install the hinge plates, lock washers and hex cap screw to secure the assembly.
3. On the electric hoist, remove the two screws, hook pin plate, hook pin, etc. (Figure 8)
4. Remove the top hook assembly from the hoist, and replace it with the lug mount accessory as shown in Figure 9. Re-install the hook pins, hook pin plates, screws and washers. Firmly tighten the screws.

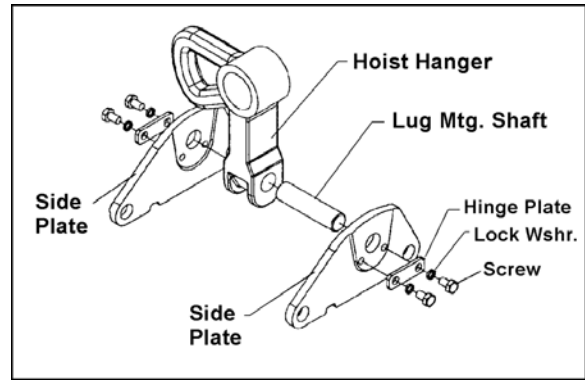


Figure 7

Electrical Instructions

⚠WARNING Electrical connections must be made by a qualified electrician in compliance with all relevant codes. This machine must be properly grounded to help prevent electrical shock and possible fatal injury.

Grounding

In the event of a malfunction or breakdown, grounding provides a path of least resistance for electric current to reduce the risk of electric shock.

This machine's power cord must be fitted with an appropriate UL/CSA listed plug, or it can be "hard-wired" directly to a control panel. If hard-wired, make sure a disconnect is available for the operator.

If a plug is installed, it must have an equipment-grounding conductor and a grounding prong. The plug must be plugged into a matching outlet that is properly installed and grounded in accordance with all local codes and ordinances. Do not modify the plug.

Improper connection of the equipment-grounding conductor can result in a risk of electric shock. The conductor with insulation having an outer surface that is green with or without yellow stripes is the equipment-grounding connector. If repair or replacement of the electric cord or plug is necessary, do not connect the equipment-grounding conductor to a live terminal.

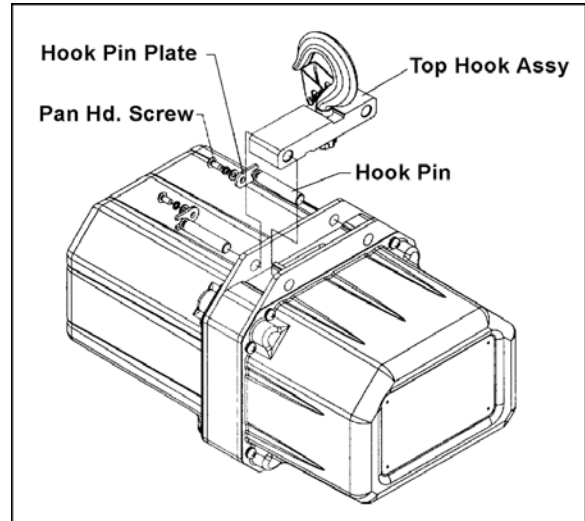


Figure 8

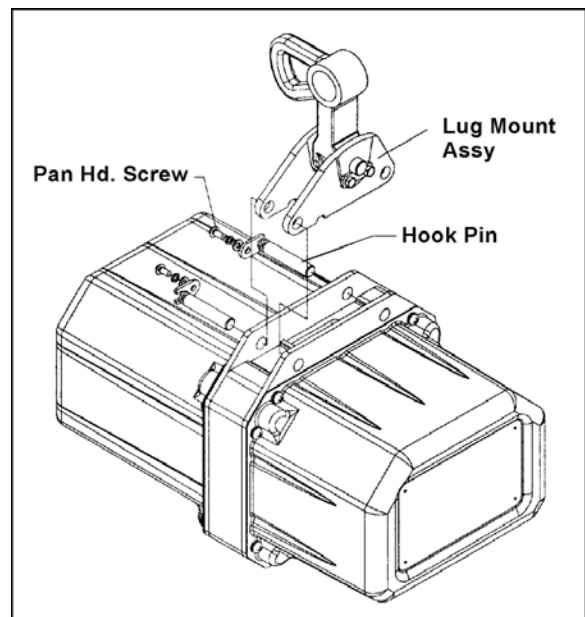


Figure 9

Check with a qualified electrician or service personnel if the grounding instructions are not completely understood, or if in doubt as to whether the tool is properly grounded.

Repair or replace damaged or worn cord immediately.

Voltage Conversion

The **single phase models (ET-1C)** are designed for 115 volt or 230 volt operation. They are pre-wired for 230 volt. The **three phase models (ET-3C)** are designed for 230 volt or 460 volt operation. They are pre-wired for 460V.

To switch voltage:

1. Disconnect trolley from power supply, and disconnect the pendant cord from the trolley.
2. Remove the two screws and lock washers on the underside of the housing (see Figure 10) and slide the protective band out of the way. Remove the housing.
3. Carefully pull the plug out of the current socket and insert it into the new socket (see Figure 10). Make sure the notch on the plug fully engages the socket.
4. Re-install the housing, re-position the protective band, and insert the screws and lock washers. Tighten the screws securely.

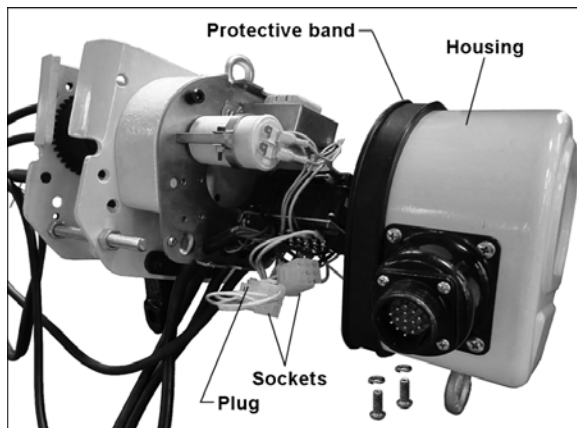


Figure 10

Inspecting Trolley Motion

1. Before closing the circuit breaker and testing the trolley, check that wiring has been complete. If the trolley cannot be observed when the circuit breaker is closed, station an observer within sight of the trolley to report any movement when power is applied to the trolley. Be prepared to disconnect power if trolley motor starts when the power is applied. The trolley must remain motionless when power is applied. Find and correct any problems before continuing.

Test the motion of the hoist also:

2. With no load on the load hook, press the UP button very briefly and observe hoist action. The hook should move upward. (Two speed models have a two-position UP button. Press the button only part way to operate lift motor at slow speed, press fully to operate at high speed.)
3. If no motion occurs when the UP button is pressed and the hoist is connected to a three phase power supply, the power supply wires are incorrectly positioned.
4. Switch any two of the three supply wires *at the power source*. **Do not attempt to rewire the hoist/trolley circuit or pendant controls for this problem.** Use the same safety precautions when reversing two of the supply wires as was used when the wires were originally connected.
5. Re-connect power and test hoist and trolley movement again without load. Run hoist to the complete lifting height to ensure limit switches are operating properly.

Refer to your hoist manual for more detailed instructions on operation and testing of the hoist.

Extension Cords

If an extension cord is necessary, make sure the cord rating is suitable for the amperage listed on the trolley's motor plate. An undersize cord will cause a drop in line voltage resulting in loss of power and overheating.

The chart in Figure 11 shows the correct size cord to use based on cord length and motor plate amp rating. If in doubt, use the next heavier gauge. The smaller the gauge number, the heavier the cord.

Recommended Gauges (AWG) of Extension Cords

Amps	Extension Cord Length *					
	25 feet	50 feet	75 feet	100 feet	150 feet	200 feet
< 5	16	16	16	14	12	12
5 to 8	16	16	14	12	10	NR
8 to 12	14	14	12	10	NR	NR
12 to 15	12	12	10	10	NR	NR
15 to 20	10	10	10	NR	NR	NR
21 to 30	10	NR	NR	NR	NR	NR

*based on limiting the line voltage drop to 5V at 150% of the rated amperes.

NR: Not Recommended.

Figure 11

Control Pendant Accessories

Pendants with 4 buttons are for Lifting and Lowering, and 2-direction Trolley travel.

- 152411 Single Speed, 4 Button Control Pendant with 10' Lift.
- 152416 Single Speed, 4 Button Control Pendant with 15' Lift.
- 152421 Single Speed, 4 Button Control Pendant with 20' Lift.
- 153431 Single Speed, 4 Button Control Pendant with 30' Lift.
- 162410 Single Speed, 4 Button Control Pendant for VFD Hoists with 10' Lift.
- 162415 Single Speed, 4 Button Control Pendant for VFD Hoists with 15' Lift.
- 162420 Single Speed, 4 Button Control Pendant for VFD Hoists with 20' Lift.
- 162430 Single Speed, 4 Button Control Pendant for VFD Hoists with 30' Lift.

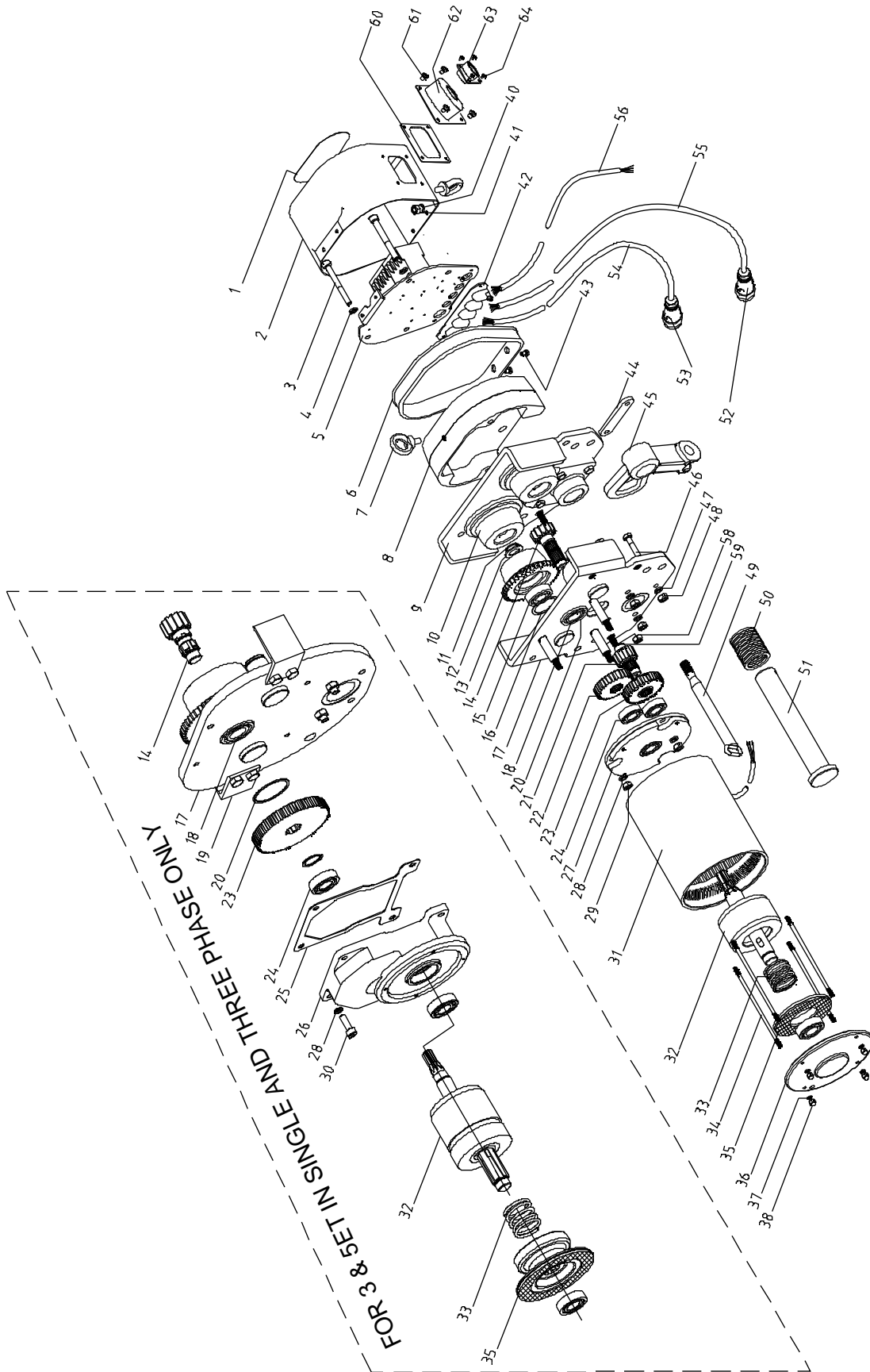
Troubleshooting

Trouble	Probable Cause	Remedy
Trolley will not operate, or operates intermittently.	No incoming power, or low voltage.	Check trolley connections to power source. Make sure power source matches specifications on trolley name plate. If low voltage, have certified electrician check incoming power.
	Fuse blown or circuit breaker tripped.	Replace fuse/re-set circuit breaker.
	Thermal overload protector has tripped; motor overheated.	See "Motor overheats" below.
	Conductors in pendant cord damaged.	Check for continuity in each conductor. If faulty, replace entire pendant cord.
	Motor damaged.	Have motor inspected and repaired/ replaced by a qualified service technician.
Trolley drifts excessively after stopping.	Grease or oil on the brake lining.	Open the trolley, disassemble the brake and clean the lining.
	Brake pad is worn or damaged.	Replace brake pad.
Hoist moves in wrong direction.	Two of the three power supply wires are switched.	Switch any two of the three supply wires.
Motor overheats.	Excessive load or too frequent use.	Operate within rated load and according to duty cycle rating.
	Brake is dragging.	Have brake repaired or replaced by a qualified service technician.

Replacement Parts

Replacement parts are listed on the following pages. To order parts or reach our service department, call 1-800-274-6848, Monday through Friday (see our website for business hours, www.waltermeier.com). Having the Model Number and Serial Number of your machine available when you call will allow us to serve you quickly and accurately.

ET-C Series Trolley



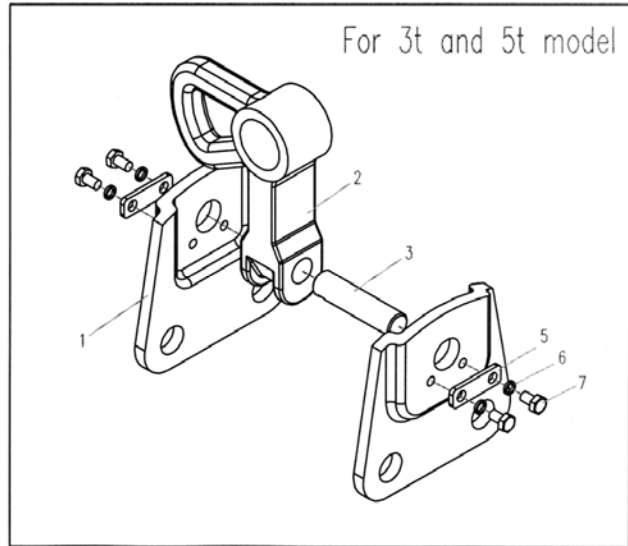
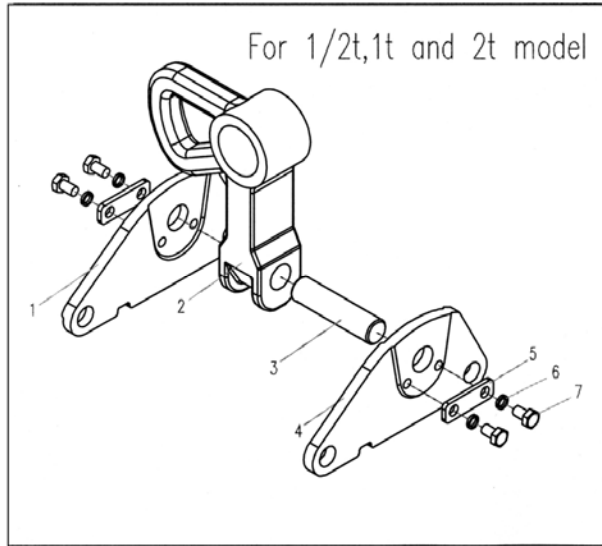
Parts List: ET-C Series Trolley

Index No.	Part No.	Description	Size	Qty
1	1/2ET-3C-1	Name Plate (1/2T, three phase)		1
	1ET-3C-1	Name Plate (1T, three phase)		1
	2ET-3C-1	Name Plate (2T, three phase)		1
	3ET-3C-1	Name Plate (3T, three phase)		1
	5ET-3C-1	Name Plate (5T, three phase)		1
	1/2ET-1C-1	Name Plate (1/2T, single phase)		1
	1ET-1C-1	Name Plate (1T, single phase)		1
	2ET-1C-1	Name Plate (2T, single phase)		1
	3ET-1C-1	Name Plate (3T, single phase)		1
	5ET-1C-1	Name Plate (5T, single phase)		1
2	1ET-3C-2	Housing (1/2T,1T,2T,3T,5T)		1
3	1ET-3C-3	Socket Head Cap Screw (1/2T,1T,2T,3T,5T)	M8x70	2
4	1ET-3C-4	Lock Washer (1/2T,1T,2T,3T,5T)	8mm	7
5	1ET-3C-5	Electrical Board (1/2T,1T,2T, three phase)		1
	3ET-3C-5	Electrical Board (3T, 5T, three phase)		1
	1ET-1C-5	Electrical Board (1/2T,1T,2T, single phase)		1
	3ET-1C-5	Electrical Board (3T,5T, single phase)		1
6	1ET-3C-6	Protective Band (1/2T,1T,2T,3T,5T)		1
7	1ET-3C-7	Eye Bolt (1/2T,1T,2T,3T,5T)	M8x16	2
8	1ET-3C-8	Balance Spacer (1/2T,1T,2T)		1
	3ET-3C-8	Balance Spacer (3T,5T)		1
9	1ET-3C-9	Plain Side Plate Assembly (1/2T,1T)		1
	2ET-3C-9	Plain Side Plate Assembly (2T)		1
	3ET-3C-9	Plain Side Plate Assembly (3T)		1
	5ET-3C-9	Plain Side Plate Assembly (5T)		1
10	1ET-3C-10	Plain Wheel (1/2T,1T)		2
	2ET-3C-10	Plain Wheel (2T)		2
	3ET-3C-10	Plain Wheel (3T)		2
	5ET-3C-10	Plain Wheel (5T)		2
11	1ET-3C-11	Circlip for shaft (1/2T,1T)	Ø17mm	4
	2ET-3C-11	Circlip for shaft (2T)	Ø 25mm	4
	3ET-3C-11	Circlip for shaft (3T)	Ø 30mm	4
	5ET-3C-11	Circlip for shaft (5T)	Ø 35mm	4
12	1ET-3C-12	Washer (1/2T,1T)		4
	2ET-3C-12	Washer (2T)		4
13	1ET-3C-13	Geared Wheel (1/2T,1T)		2
	2ET-3C-13	Geared Wheel (2T)		2
	3ET-3C-13	Geared Wheel (3T)		2
	5ET-3C-13	Geared Wheel (5T)		2
14	1ET-3C-14	Fifth Gear (1/2T,1T,2T)		1
	3ET-3C-14	Fifth Gear (3T,5T)		1
15	1ET-3C-15	Roller Bearing (1/2T,1T)	6203-2Z	4
	2ET-3C-15	Roller Bearing (2T)	6205-2Z	4
	3ET-3C-15	Roller Bearing (3T)	6206-2Z	4
	5ET-3C-15	Roller Bearing (5T)	6207-2Z	4
16	1ET-3C-16	Circlip for hole (1/2T,1T)	40mm	4
	2ET-3C-16	Circlip for hole (2T)	52mm	4
	3ET-3C-16	Circlip for hole (3T)	62mm	4
	5ET-3C-16	Circlip for hole (5T)	72mm	4
17	1ET-3C-17	Gear Side Plate Assembly (1/2T,1T)		1
	2ET-3C-17	Gear Side Plate Assembly (2T)		1
	3ET-3C-17	Gear Side Plate Assembly (3T)		1
	5ET-3C-17	Gear Side Plate Assembly (5T)		1
18	1ET-3C-18	Roller Bearing (1/2T,1T,2T)	6004-2ZN	1
	3ET-3C-18	Roller Bearing (3T,5T)	6205-2ZN	1
19	3ET-3C-19	Safety Block (3T)		4
	5ET-3C-19	Safety Block (5T)		4

Index No.	Part No.	Description	Size	Qty
20	1ET-3C-20	Roller Bearing w/Snap Ring (1/2T,1T,2T)	42mm	1
	3ET-3C-20	Roller Bearing w/Snap Ring (3T,5T)	52mm	1
21	1ET-3C-21	Third Gear (1/2T,1T,2T)		1
22	1ET-3C-22	Fourth Gear (1/2T,1T,2T)		1
23	1ET-3C-23	Second Gear (1/2T,1T,2T)		1
	3ET-3C-23	Second Gear (3T,5T)		1
24	1ET-3C-24	Roller Bearing (1/2T,1T,2T)	6003-2Z	4
	3ET-3C-24	Roller Bearing (3T,5T)	6004-2Z	4
25	3ET-3C-25	Gear Case Gasket (3T,5T)		1
26	3ET-3C-26	Gear Case (3T,5T)		1
27	1ET-3C-27	Flange (1/2T,1T,2T)		1
28	1ET-3C-28	Lock Washer (1/2T,1T,2T,3T,5T)	8mm	4
29	1ET-3C-29	Hex Nut (1/2T,1T,2T)	M8	3
30	TS-1504051	Socket Head Cap Screw (3T,5T)	M8x25	4
31	1ET-3C-31	Motor Case Assembly (1/2T,1T,2T)		1
	3ET-3C-31	Motor Case Assembly (3T,5T)		1
	1ET-1C-31	Motor Case Assembly (1/2T,2T,2T,single phase)		1
	3ET-1C-31	Motor Case Assembly (3T,5T, single phase)		1
32	1ET-3C-32	Rotor Assembly (1/2T,1T,2T)		1
	3ET-3C-32	Rotor Assembly (3T,5T)		1
	1ET-1C-32	Rotor Assembly (1/2T,1T,2T, single phase)		1
	3ET-1C-32	Rotor Assembly (3T,5T, single phase)		1
33	1ET-3C-33	Brake Spring (1/2T,1T,2T)		1
	3ET-3C-33	Brake Spring (3T,5T)		1
34	1ET-3C-34	Motor Stay Bolt (1/2T,1T,2T)		4
	3ET-3C-34	Motor Stay Bolt (3T,5T)		4
35	1ET-3C-35	Friction Pad Assembly (1/2T,1T,2T)		1
	3ET-3C-35	Friction Pad Assembly (3T,5T)		1
36	1ET-3C-36	Motor End Plate (1/2T,1T,2T,3T,5T)		1
37	1ET-3C-37	Lock Washer (1/2T,1T,2T,3T,5T)	5mm	4
38	1ET-3C-38	Acorn Nut (1/2T,1T,2T,3T,5T)	M5	4
40	1ET-3C-40	Lock Washer (1/2T,1T,2T,3T,5T)	8mm	1
41	1ET-3C-41	Hex Nut (1/2T,1T,2T,3T,5T)	M8	1
42	1ET-3C-42	Cable Press Plate (1/2T,1T,2T,3T,5T)		1
43	1ET-3C-43	Phillips Pan Head Screw (1/2T,1T,2T,3T,5T)	M5x10	2
44	1ET-3C-44	Plate Key (1/2T,1T)		1
	2ET-3C-44	Plate Key (2T)		1
	3ET-3C-44	Plate Key (3T)		1
	5ET-3C-44	Plate Key (5T)		1
45	1ET-3C-45	Hoist Hanger (1/2T,1T)		1
	2ET-3C-45	Hoist Hanger (2T)		1
	3ET-3C-45	Hoist Hanger (3T)		1
	5ET-3C-45	Hoist Hanger (5T)		1
46	1ET-3C-46	Hex Cap Screw (1/2T,1T)	M8x40	8
	2ET-3C-46	Hex Cap Screw (2T)	M10x45	8
	3ET-3C-46	Hex Cap Screw (3T)	M10x50	8
	5ET-3C-46	Hex Cap Screw (5T)	M14x65	8
47	1ET-3C-47	Lock Washer (1/2T,1T)	8mm	8
	2ET-3C-47	Lock Washer (2T)	10mm	8
	3ET-3C-47	Lock Washer (3T)	10mm	8
	5ET-3C-47	Lock Washer (5T)	14mm	8
48	1ET-3C-48	Hex Nut (1/2T,1T)	M8	8
	2ET-3C-48	Hex Nut (2T)	M10	8
	3ET-3C-48	Hex Nut (3T)	M10	8
	5ET-3C-48	Hex Nut (5T)	M14	8
49	1ET-3C-49	Cord Holder (1/2T,1T,2T,3T,5T)		1

Index No.	Part No.	Description	Size	Qty
50	1ET-3C-50	Spacer (1/2T,1T)		16
	2ET-3C-50	Spacer (2T)		16
	3ET-3C-50	Spacer (3T)		16
	5ET-3C-50	Spacer (5T)		16
51	1ET-3C-51	Suspension Shaft (1/2T,1T)		1
	2ET-3C-51	Suspension Shaft (2T)		1
	3ET-3C-51	Suspension Shaft (3T)		1
	5ET-3C-51	Suspension Shaft (5T)		1
52	1ET-3C-52A	Male Plug for 7-Pin (1/2T,1T,2T,3T,5T)	YD28K7TQPGB.5	1
53	1ET-3C-53A	Male Plug for 4-Pin (1/2T,1T,2T,3T,5T)	YD24K4TQPGB.5	1
54	1ET-3C-54	Coupling Cable P (1/2T,1T,2T,3T,5T)	1M	1
55	1ET-3C-55	Coupling Cable C (1/2T,1T,2T,3T,5T)	1M	1
56	1ET-3C-56	Power Cord (1/2T,1T,2T,3T,5T)	2M	1
58	1ET-3C-58	Hex Nut (1/2T,1T,2T)	M12	3
	3ET-3C-58	Hex Nut (3T,5T)	M16	3
59	1ET-3C-59	Threaded Shaft (1/2T,1T)		1
	2ET-3C-59	Threaded Shaft (2T)		1
	3ET-3C-59	Threaded Shaft (3T)		1
	5ET-3C-59	Threaded Shaft (5T)		1
60	1ET-3C-60	Seal Gasket (1/2T,1T,2T,3T,5T)		1
61	TS-1533042	Phillips Pan Head Machine Screw (1/2T,1T,2T,3T,5T)	M5X12	4
62	1ET-3C-52	Connector Case (1/2T,1T,2T,3T,5T)		1
63	1ET-3C-63	Female Plug (1/2T,1T,2T,3T,5T)	YD28J15Z	1
64	1ET-3C-64	Phillips Pan Head Machine Screw (1/2T,1T,2T,3T,5T)	M3X14	4

Parts List: Lug Mount Assembly (Optional) for SS-3C,SS-1C and DS-3C Hoists



For Electric Hoists in 1/2T, 1T and 2T

Index No.	Part No.	Description	Size	Qty
.....	1/2SS-3C-LMA	Lug Mount Assembly (1/2T).....		
.....	1SS-3C-LMA	Lug Mount Assembly (1T)		
.....	2SS-3C-LMA	Lug Mount Assembly (2T)		
1.....	1/2SS-3C-116	Side Plate L.H. (1/2T).....		1
.....	1SS-3C-116	Side Plate L.H. (1T)		1
.....	2SS-3C-116	Side Plate L.H. (2T)		1
2.....	1ET-3C-45	Hoist Hanger (1/2T,1T)*		1
.....	2ET-3C-45	Hoist Hanger (2T)*.....		1
3.....	1/2SS-3C-118	Lug Mounting Shaft (1/2T,1T).....		1
.....	2SS-3C-118	Lug Mounting Shaft (2T).....		1
4.....	1/2SS-3C-119	Side Plate R.H. (1/2T).....		1
.....	1SS-3C-119	Side Plate R.H. (1T)		1
.....	2SS-3C-119	Side Plate R.H. (2T).....		1
5.....	3SS-3C-061	Hinge Plate		2
6.....	1/2SS-3C-012	Lock Washer	6mm	4
7.....	1/2SS-3C-120	Hex Head Cap Screw.....	M6x10	4

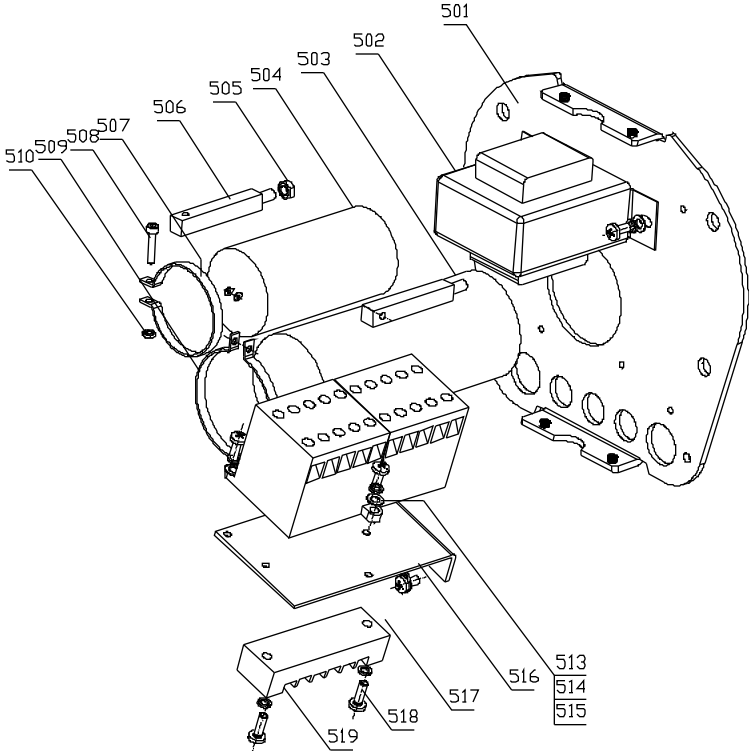
For Electric Hoists in 3T and 5T

Index No.	Part No.	Description	Size	Qty
.....	3SS-3C-LMA	Lug Mount Assembly (3T)		
.....	5SS-3C-LMA	Lug Mount Assembly (5T)		
1.....	3SS-3C-116	Side Plate (3T)		2
.....	5SS-3C-116	Side Plate (5T)		2
2.....	3ET-3C-45	Hoist Hanger (3T)*.....		1
.....	5ET-3C-45	Hoist Hanger (5T)*.....		1
3.....	2SS-3C-118	Lug Mounting Shaft (3T).....		1
.....	5SS-3C-118	Lug Mounting Shaft (5T).....		1
5.....	3SS-3C-061	Hinge Plate		2
6.....	1/2SS-3C-012	Lock Washer	6mm	4
7.....	3SS-3C-120	Hex Head Cap Screw.....	M6x12	4

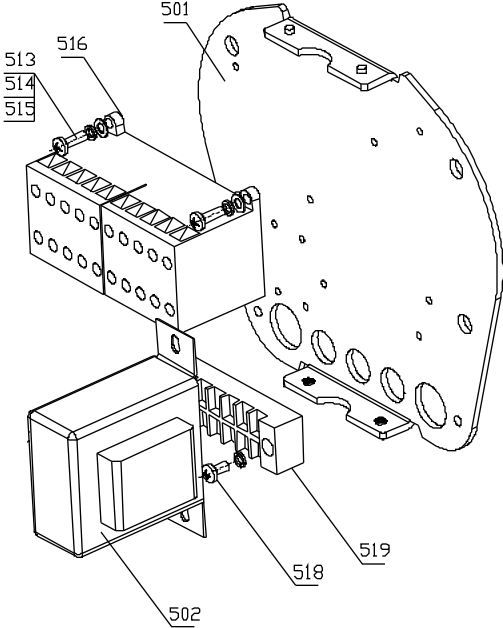
* Hoist Hanger comes pre-assembled to the electric trolley.

Electrical Components

SINGLE PHASE



THREE PHASE

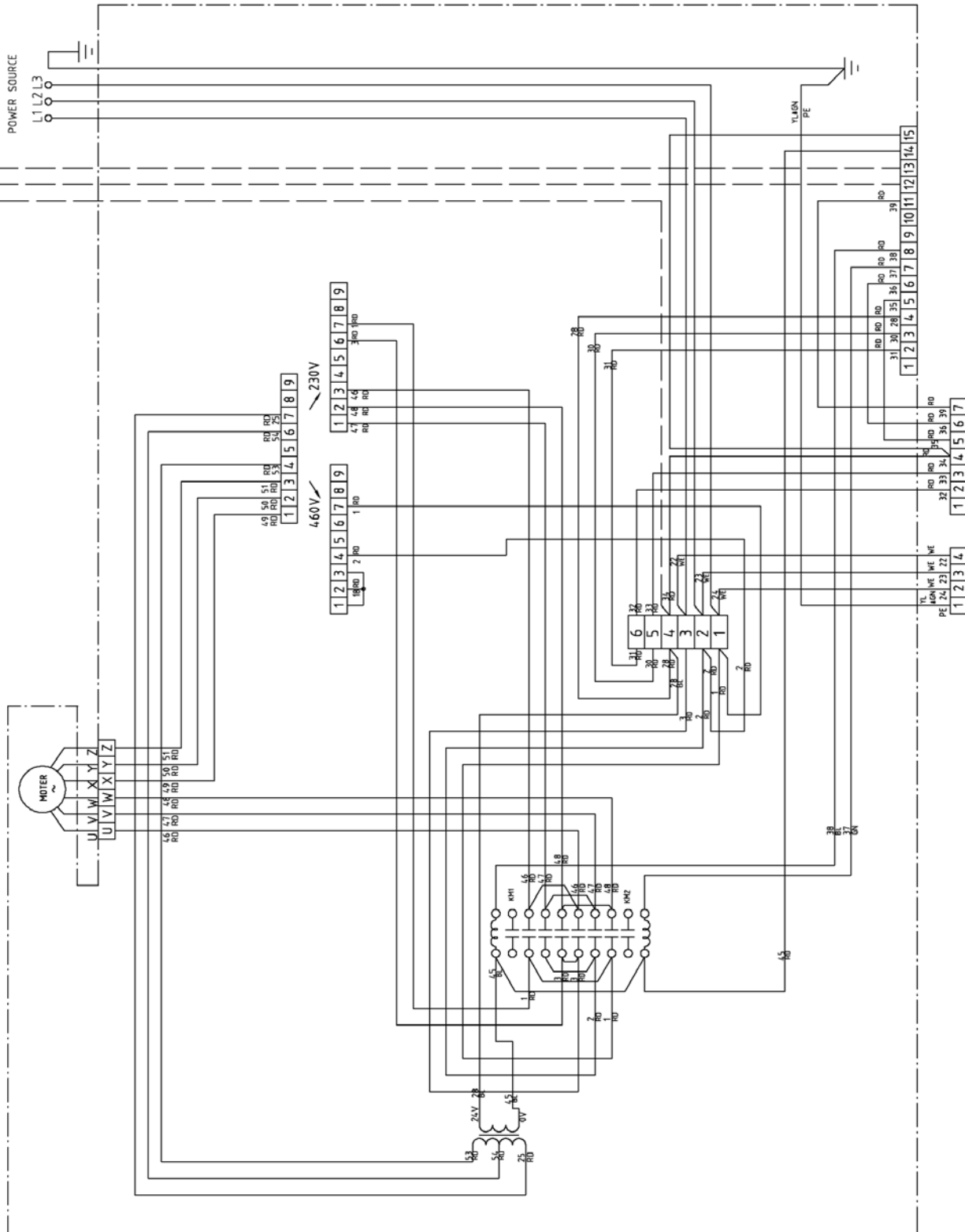


Parts List: Electrical Components

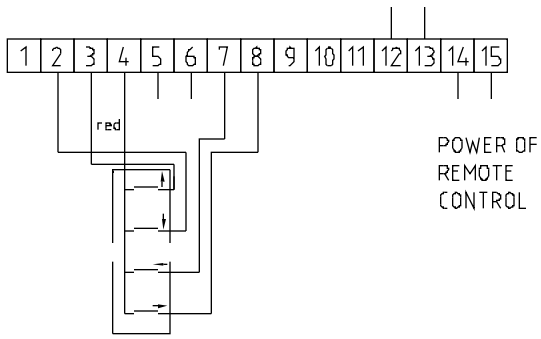
Index No.	Part No.	Description	Size	Qty
501	1ET-3C-501	Electrical Component Board (3Ph)		1
	1ET-1C-501	Electrical Component Board (1/2T,1T, 2T: 1Ph)		1
	3ET-1C-501	Electrical Component Board (3T,5T: 1Ph)		1
502	1ET-3C-502	Transformer (3Ph)	(460/230)/24V	1
	1ET-1C-502	Transformer (1Ph)	(230/115)/24V	1
503	1ET-1C-503	Capacitor (1/2T,1T,2T: 1Ph)	65 μ F	1
	3ET-1C-503	Capacitor (3T,5T: 1Ph)	120 μ F	1
504	1ET-1C-504	Capacitor (1/2T,1T,2T: 1Ph)	16 μ F	1
	3ET-1C-504	Capacitor (3T,5T: 1Ph)	30 μ F	1
505	TS-1541001	Lock Nut (1Ph)	M4	2
506	1ET-1C-506	Retainer Pin (1Ph)		2
507	1ET-1C-507	Capacitor Holder (1/2T,1T,2T: 1Ph)		1
508	TS-1501061	Socket Head Cap Screw (1Ph)	M4x20	2
509	1ET-1C-509	Capacitor Holder (1/2T,1T,2T: 1Ph)		1
	3ET-1C-509	Capacitor Holder (3T,5T: 1Ph)		2
510	TS-1541001	Lock Nut (1Ph)	M4	2
513	TS-1532032	Pan Head Screw (3Ph)	M4x10	5
	TS-1532032	Pan Head Screw (1Ph)	M4x10	7
514	TS-2361041	Lock Washer (3Ph)	M4	7
	TS-2361041	Lock Washer (1Ph)	M4	9
515	TS-1550021	Flat Washer (3Ph)	M4	5
	TS-1550021	Flat Washer (1Ph)	M4	7
516	1ET-3C-516A	Contactator	VB6-30-01	1
517	1ET-1C-517	Contactator Holder (1Ph)		1
518	TS-1532032	Pan Head Screw	M4x10	2
519	1ET-3C-519	Terminal Board		1

Electrical Connections – 3 Phase Only

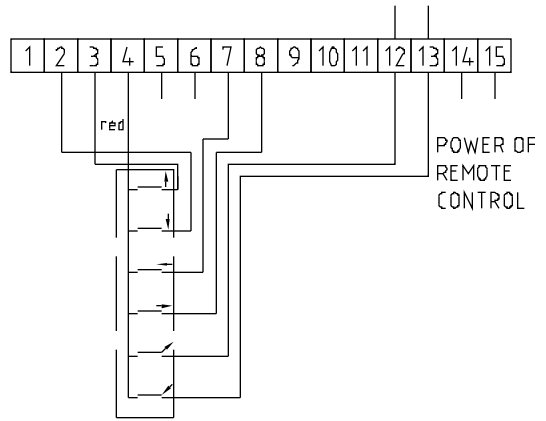
- RD — Red
- BL — Blue
- YL — Yellow
- GN — Green
- WE — White
- BK — Black



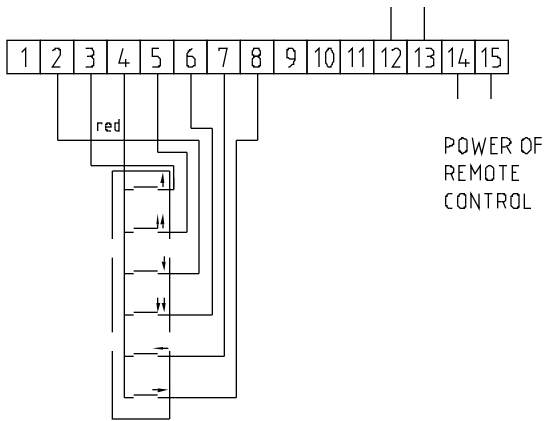
Electrical Connections – Control Pendants



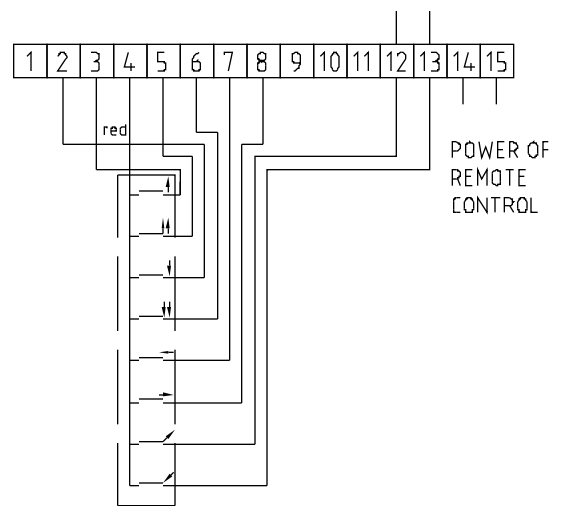
4-PUSHBUTTON WIRING DIAGRAM FOR **SINGLE SPEED** HOISTS



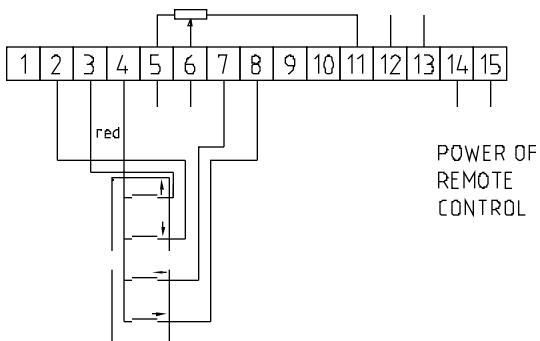
6-PUSHBUTTON WIRING DIAGRAM FOR **SINGLE SPEED** HOISTS



4-PUSHBUTTON WIRING DIAGRAM FOR **DUAL SPEED** HOISTS



6-PUSHBUTTON WIRING DIAGRAM FOR **DUAL SPEED** HOISTS



4-PUSHBUTTON WIRING DIAGRAM FOR **VFD** HOISTS

NOTES

NOTES

TEST CERTIFICATE

COMMODITY	Electric Trolley
MODEL	ET- C
SERIAL NO.	
CAPACITY	ton
TEST LOAD	ton
DATE OF INSPECTION	
JUDGEMENT	PASSED
INSPECTOR	



WALTER MEIER (Manufacturing) Inc.

427 New Sanford Road
LaVergne, Tennessee 37086
Phone: 800-274-6848
www.waltermeier.com