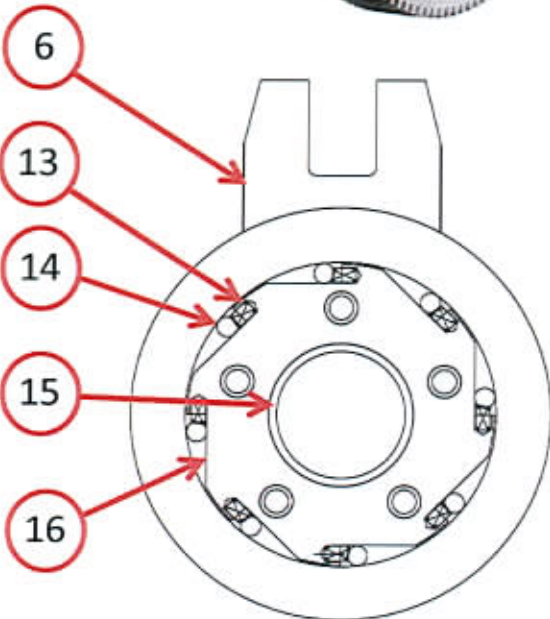
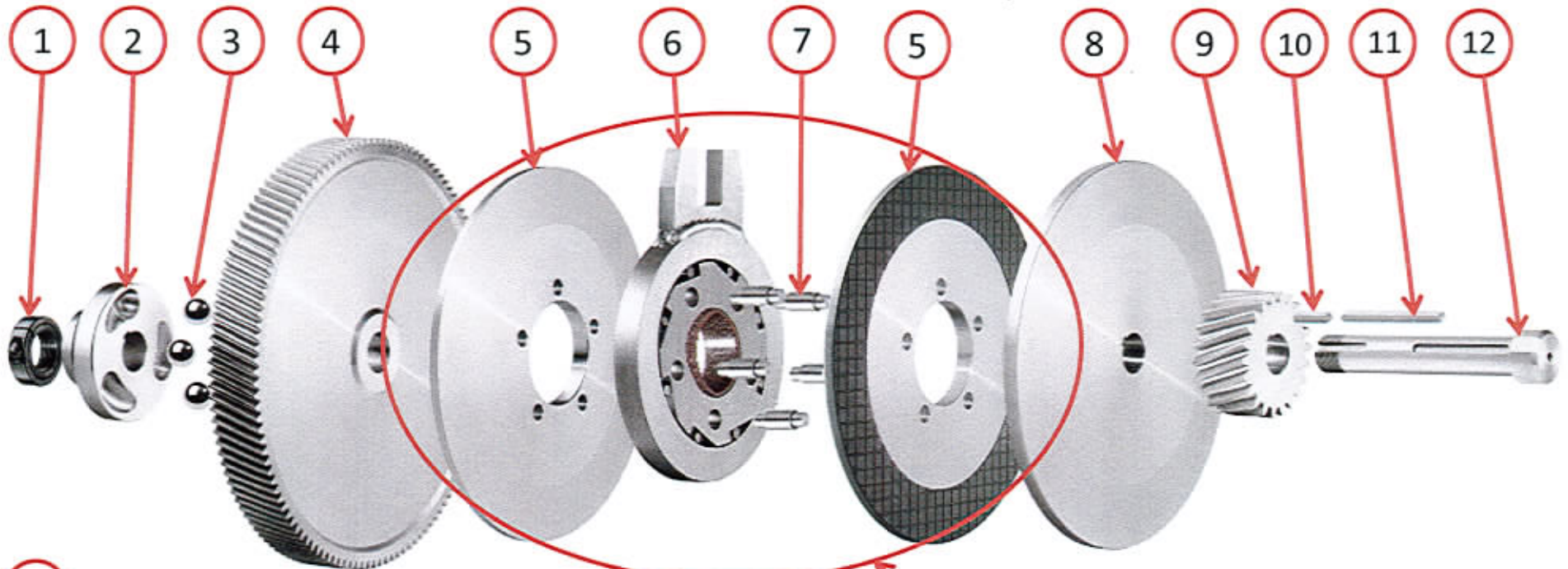


1. Remove any load that is suspended from the hoist.
2. Lower the hoist load block to the floor so that there is slack in the hoist wire rope. Make sure that there are no rope left on the drum so that the drum don't free spin when the load brake is removed.
3. Drain oil from the gearbox.
4. Remove the gearbox cover. (Caution, some gears may come out with the cover.) Be extremely careful.
5. Remove the 2nd. Gear and 3rd. pinion assembly.
6. Remove the ½ inch hex bolt from the outside of the gearbox. (This allows you to remove the load brake assembly.)
7. Note and observe the load brake drawing assembly.
8. Loosen locking collar.(Part # 120-1711)
9. Seat load brake cam (Part # 130-1570) flush against the 1st. gear. (Part # 130-1530)
10. Now turn locking collar up tight against the ball cam.
11. Back off locking collar to get a .010 dimension (gap) feeler gage between the locking collar and ball cam.
12. With the locking collar at this position, secure the locking.
13. Reassemble back all the gearing into the gearbox.
14. Reinstall back the gear case cover. (Recommending using a new gear case gasket.)
15. Fill back oil to level.
16. Run hoist up to put back rope on drum.
17. Test load brake. (Check for E07 fault.)

Load Brake Assembly (Exploded View)



Sold As An Assembly

Load Brake Parts List

- | | |
|--|--|
| 1.) 120-1711 Lock Collar (1) | 10.) 120-1729 Key (1) (For Ball Cam Item #2) |
| 2.) 132-0365 Ball Cam (1) | 11.) 120-0955 Key (1) (For Back Disc & 2 nd Pinion) |
| 3.) 1301065 Ball (3) | 12.) 120-0914 Shaft (1) |
| 4.) 130-1530 1 st Gear (1) | 13.) 120-0750 Spring (8) |
| 5.) 120-0737 Load Brake Disc 9.5 (2) | 14.) 130-1551 Dowel Pin (8) |
| 6.) 130-1550 Holding Ring (1) | 15.) 140-1624 Bushing (1) |
| 7.) 050-0371 Pin (5) | 16.) 130-1545 Cam (1) |
| 8.) 132-0355 Back Disc (1) | |
| 9.) 132-0500 105:1 -18T 2 nd Pinion | |
| 132-0500 83:1 -22T 2 nd Pinion | |
| 132-0500 66:1 -26T 2 nd Pinion | |
| 132-0500 49:1 -32T 2 nd Pinion | |