

AirStar 6 air hoist

Designed for general industrial applications where variable speed pneumatic power is preferable. Rated for loads of up to 3 tons. This compact, lightweight hoist features:

- Hoist alloy load chain for heavy duty or stainless steel chain for spark resistant, medium duty loads
- Lightweight aluminum frame and cover
- Positive action, spring biased Weston-type load brake holds the load, provides exacting load spotting and control
- Multi-vane rotary air motor with eight vanes for high torque, smooth operation, positive starting
- Precision cut heat treated helical and spur gear combination for quiet, efficient operation
- Pendant throttle handle is full flow design for precision throttle capabilities
- Spark resistant models available for hazardous environments
- Hook or lug suspension available
- Standard overload protector device
- Internal Muffler—reduces sound level
- Throttle Valve—precision throttle valves meter the air for smooth operation
- Chain container optional
- Lifetime warranty
- Metric rated
- Made in U.S.A.



Basic Hoist Data

Rated Loads: 1, 2, and 3-ton (Spark resistant models are rated at 1/2, 1 and 2 ton)

Air Pressure

Recommended: 90 PSI

Air Consumption: 70 SCFM (full load-full speed) slow speed model 80 SCFM (full load-full speed) fast speed model

Pendant Control Hose: 6 foot pendant hose standard for 10 foot lift hoist, longer hose assemblies up to 36 foot available.

Lift: 10 foot lifts are standard. Longer lifts are an optional extra.

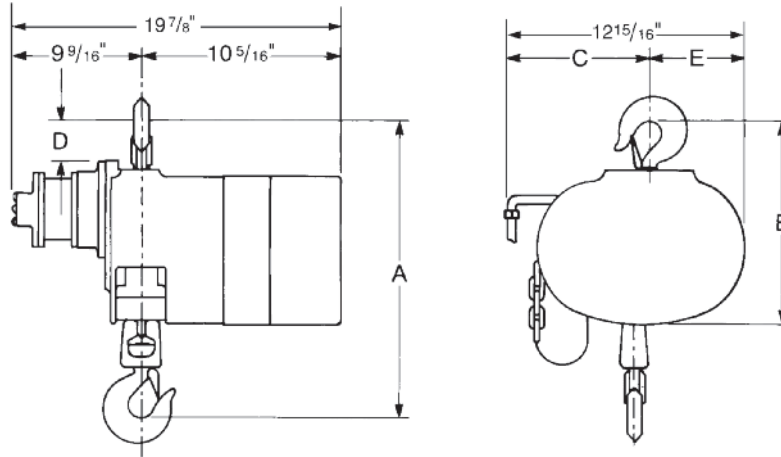
Net Wt. (Basic Hoist): 100 pounds

Suspension: Hook or lug

Air Inlet Size: 3/4 NPTF

Air Supply Hose Size: 3/4 I.D. min.

AirStar 6 with hook suspension-Specifications



Clearance dimensions (in.)

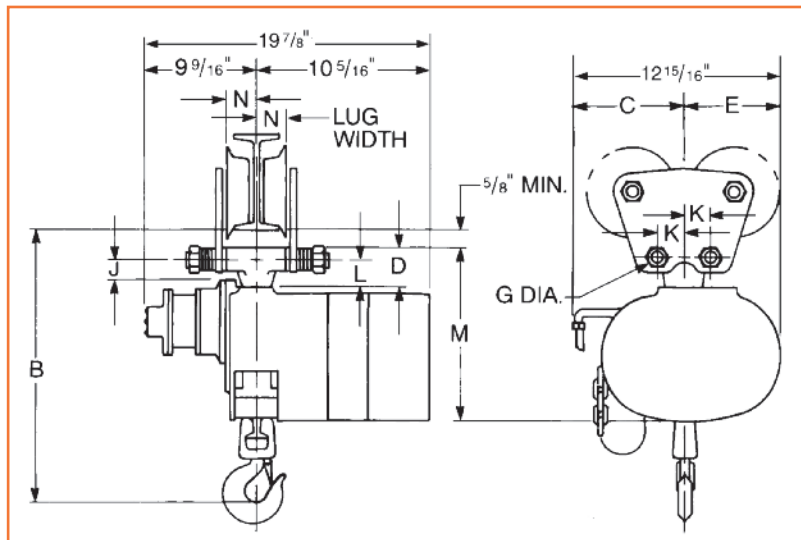
| Rated capacity* (tons) | Product code | A | B | C | D | E |
|------------------------|--------------|--------|----------|---------|---------|--------|
| 1/2 | 7408A | 16 3/4 | 11 1/16 | 6 3/4 | 2 11/16 | 6 3/16 |
| 1 | 7405A | 16 3/4 | 11 1/16 | 6 3/4 | 2 11/16 | 6 3/16 |
| 1 | 7405B | 16 3/4 | 11 1/16 | 6 3/4 | 2 11/16 | 6 3/16 |
| 1 | 7409A | 22 7/8 | 12 13/16 | 8 1/16 | 4 7/16 | 4 7/8 |
| 2 | 7406A | 22 7/8 | 12 13/16 | 8 1/16 | 4 7/16 | 4 7/8 |
| 2 | 7406B | 22 7/8 | 12 13/16 | 8 1/16 | 4 7/16 | 4 7/8 |
| 2 | 7410A | 25 7/8 | 14 3/8 | 5 13/16 | 5 5/8 | 7 1/8 |
| 3 | 7407A | 25 7/8 | 14 3/8 | 5 13/16 | 5 5/8 | 7 1/8 |
| 3 | 7407B | 25 7/8 | 14 3/8 | 5 13/16 | 5 5/8 | 7 1/8 |

Specifications

| Model | Rated capacity* (tons) | Product code | Reeving | Full load hoist speed** (F.P.M.) | Full load lowering speed** (F.P.M.) | Approximate net weight (lbs.) |
|------------------------------|------------------------|--------------|---------|----------------------------------|-------------------------------------|-------------------------------|
| Standard model | 1 | 7405A | 1 | 13 | 18 | 93 |
| | 1 | 7405B | 1 | 30 | 42 | 95 |
| | 2 | 7406A | 2 | 6 | 9 | 110 |
| | 2 | 7406B | 2 | 15 | 21 | 112 |
| | 3 | 7407A | 3 | 4 | 6 | 144 |
| | 3 | 7407B | 3 | 10 | 14 | 146 |
| Spark resistant model | 1/2 | 7408A | 1 | 16 | 22 | 95 |
| | 1 | 7409A | 2 | 8 | 11 | 112 |
| | 2 | 7410A | 3 | 5 | 7 | 146 |

**Hoist speeds based on 90 PSI line pressure with full load at full throttle.

AirStar 6 with lug suspension



Clearance dimensions (in.)

| Rated capacity* (tons) | Product code | B | C | D | E | J | K | L | M | N | G |
|------------------------|--------------|---------|---------|---------|--------|---------|--------|---------|----------|---------|-------|
| 1/2 | 7408B | 16 1/4 | 6 3/4 | 2 | 6 3/16 | 7/8 | 1 9/16 | 1 5/16 | 9 15/16 | 1 13/16 | 5/8 |
| 1 | 7405C | 16 1/16 | 6 3/4 | 2 | 6 3/16 | 7/8 | 1 9/16 | 1 5/16 | 9 15/16 | 1 13/16 | 5/8 |
| 1 | 7405D | 16 1/16 | 6 3/4 | 2 | 6 3/16 | 7/8 | 1 9/16 | 1 5/16 | 9 15/16 | 1 13/16 | 5/8 |
| 1 | 7409B | 21 3/8 | 8 1/16 | 2 13/16 | 4 7/8 | 1 1/2 | 2 1/2 | 1 15/16 | 10 11/16 | 2 3/16 | 1 |
| 2 | 7406C | 19 3/4 | 8 1/16 | 2 13/16 | 4 7/8 | 1 1/2 | 2 1/2 | 1 15/16 | 10 11/16 | 2 3/16 | 1 |
| 2 | 7406D | 19 3/4 | 8 1/16 | 2 13/16 | 4 7/8 | 1 1/2 | 2 1/2 | 1 15/16 | 10 11/16 | 2 3/16 | 1 |
| 2 | 7410B | 25 | 5 13/16 | 4 5/8 | 7 1/8 | 2 15/16 | 3 | 3 3/8 | 12 7/8 | 3 | 1 1/4 |
| 3 | 7407C | 23 3/4 | 5 13/16 | 4 5/8 | 7 1/8 | 2 15/16 | 3 | 3 3/8 | 12 7/8 | 3 | 1 1/4 |
| 3 | 7407D | 23 3/4 | 5 13/16 | 4 5/8 | 7 1/8 | 2 15/16 | 3 | 3 3/8 | 12 7/8 | 3 | 1 1/4 |

Specifications

| Model | Rated capacity* (tons) | Product code | Reeving | Full load hoist speed** (F.P.M.) | Full load lowering speed** (F.P.M.) | Approx. net weight (lbs.) |
|------------------------------|------------------------|--------------|---------|----------------------------------|-------------------------------------|---------------------------|
| Standard model | 1 | 7405C | 1 | 13 | 18 | 106 |
| | 1 | 7405D | 1 | 30 | 42 | 108 |
| | 2 | 7406C | 2 | 6 | 9 | 116 |
| | 2 | 7406D | 2 | 15 | 21 | 118 |
| | 3 | 7407C | 3 | 4 | 6 | 164 |
| | 3 | 7407D | 3 | 10 | 14 | 166 |
| Spark resistant model | 1/2 | 7408B | 1 | 16 | 22 | 110 |
| | 1 | 7409B | 2 | 8 | 11 | 120 |
| | 2 | 7410B | 3 | 5 | 7 | 170 |

**Hoist speeds based on 90 PSI line pressure with full load at full throttle.