



**ACCOLIFT®**

**ELECTRIC CHAIN HOISTS**

**HAND CHAIN HOISTS & EQUIPMENT**

Electric  
Chain Hoists  
Hook  
Suspension

Pages 4-5

Electric  
Chain Hoists  
Motorized  
Trolley

Pages 6-7

Hook  
Dimensions  
and Chain  
Bucket  
Capacities

Page 8

Hand Chain  
Hoists

Page 9

Plain and  
Geared  
Trolleys

Page 10

Lever  
Hoists

Page 11



ACCOLIFT® electric chain hoists, hand chain hoists, lever hoists and trolleys are high quality products built for long service in industrial applications. All ACCOLIFT® products are stocked at our Chicago warehouse, available for immediate shipment.

Other brands from ACCO Material Handling Solutions:

**WRIGHT®**  
**WORK-RATED®**  
**SPEEDWAY®**  
**WRIGHT-WAY®**  
**mansaver®**  
**VAC-U-LIFT®**

**LOUDEN®**  
**TRAMBEAM®**  
**HEAVY-RATED™**  
**NUTTING®**

**WARNING:** Equipment described herein is not designed for, and should not be used for lifting, supporting, or transporting humans. Modifications to upgrade, rerate, or otherwise alter the hoist or crane equipment shall be authorized only by the original manufacturer or qualified professional engineer. Failure to comply with any one of the limitations noted herein may result in serious bodily injury.

**WARRANTY:** All equipment is covered by the following warranties: The Seller warrants to the original using Buyer thereof that the goods sold under this agreement are free from defects in workmanship and materials for a period of one year from the date of shipment to the using Buyer. No other express warranties are given and no affirmation of Seller or Seller's agents, by word or action, shall constitute a warranty. Any variations in details between the goods quoted herein and those covered in Buyer's specifications are due to standards of manufacture not to be construed as exceptions to the specifications.

## ELECTRIC CHAIN HOISTS - STANDARD FEATURES

### Standard Features:



#### Dual Brake System

Disc type motor brake working with a Weston style mechanical load brake provides load lowering control. Electric brake is designed for easy access and simple adjustment.



#### Upper and Lower Limit Switch

Prevents overwinding by stopping operation in the case of overlifting or overlowering.



#### Overload Alert

Installed as a load detecting safety device to help prevent overload for greater hoist longevity.



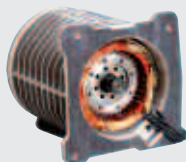
#### Push Button Control

Compact design to enable one-handed operation. Rated NEMA 4 protection. Mushroom on/off button included. Push button cable has strain relief to prevent cable damage.



#### Electric Control Panel

Single speed hoists are re-connectable for 208-230-460 power supply. Controls are housed in a NEMA12 enclosure. Control transformer output is 115/1/60. Available in Variable Frequency Drive (VFD) for all motions. VFD is programmed for 2-speed operation. Standard power supply cord is 15 feet.



#### Heavy-Duty Hoist Motor

The hoist motor is a high torque design and is rated 30-minute duty. Class B motor insulation and standard thermal motor protection is included.



#### Load Sheave / Chain Guide

Full floating chain guide assures proper engagement of chain on load sheave. Features 4 or 5 pockets for better distribution of the load.



#### Load Chain

Grade 80 load chain is case hardened and has a high resistance to wear and corrosion. All hoists are stocked with 20 feet of lift. Longer lifts are available per requirement. Zinc galvanized load chain is available as an option.



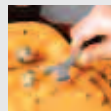
#### Hooks

Load hook is a forged carbon steel hook with a heavy-duty hook latch. Thrust bearing in hook allows 360° rotation to prevent twisting of load chain. Top hook, for hook suspended hoists, is rigid.



#### Chain Container

Chain container is standard equipment and is either molded with thick polypropylene material or fabricated from steel to securely contain the chain and chain lubricant. Optional containers are available for long lift applications.



#### Gear Box / Oil Lubrication

The gearbox utilizes an alloy steel helical and spur gear reduction. Gear inspection and lubrication is easily accessible from the top of the hoist.



#### Motorized Trolley

Trolley is adjustable for a range of flange widths. Motor includes disc type brake. Side guide rollers are included to promote smooth trolley motion and to minimize wheel and beam wear. Wheels are dual tread design for operation on tapered or flat flange beams. Trolley motor includes class B insulation. Motor is rated 15-minute duty and includes standard thermal motor protection.



## ELECTRIC CHAIN HOISTS - HOOK SUSPENSION

### Electric Chain Hoists - Single Speed / Hook Suspension:

Cap. (Tons)	Model Number	Std. Lift (ft.)	Push Button Cord Length (ft.)	Lifting Speed (fpm)	Hoist Motor			Load Chain Diameter (in.) X Chain Fall Lines	Add'l 1 ft. of Lift (lbs.)	Net Wt. (lbs.)
					HP	Amp. Draw				
						208V & 230V	460V			
1	2130020	20	18	17	2.4	9.2	4.2	.280 X (1)	0.67	165
1	2130030	20	18	27	2.4	9.2	4.2	.280 X (1)	0.67	165
2	2130040	20	18	13	2.4	9.2	4.2	.280 X (2)	1.34	198
2	2130050	20	18	27	4.7	17	7.9	.441 X (1)	1.81	282
3	2130060	20	18	17	4.7	17	7.9	.374 X (2)	2.69	348
5	2130070	20	18	11	4.7	17	7.9	.441 X (2)	3.63	388
10	2130080	20	18	11	4.7 X (2)	17 X (2)	7.9 X (2)	.441 X (4)	7.26	860

### Electric Chain Hoists - Inverter Control / Hook Suspension:

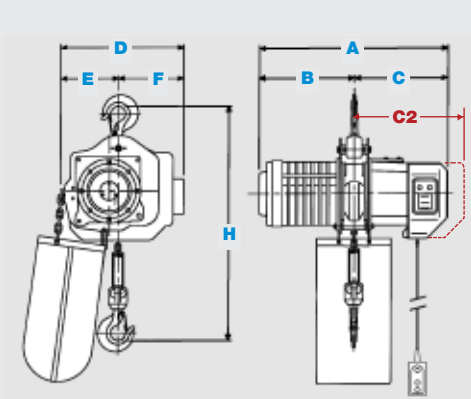
Cap. (Tons)	Model Number	Std. Lift (ft.)	Push Button Cord Length (ft.)	Lifting Speed (fpm)	Hoist Motor			Load Chain Diameter (in.) X Chain Fall Lines	Add'l 1 ft. of Lift (lbs.)	Net Wt. (lbs.)
					HP	Amp. Draw				
						208V & 230V	460V			
1	2130030-VFD-230	20	18	21/7	2.4	9.2	-	.280 X (1)	0.67	170
1	2130030-VFD-460	20	18	21/7	2.4	-	4.2	.280 X (1)	0.67	170
2	2130050-VFD-230	20	18	21/7	4.7	17	-	.441 X (1)	1.81	287
2	2130050-VFD-460	20	18	21/7	4.7	-	7.9	.441 X (1)	1.81	287
3	2130060-VFD-230	20	18	15/5	4.7	17	-	.374 X (2)	2.69	353
3	2130060-VFD-460	20	18	15/5	4.7	-	7.9	.374 X (2)	2.69	353
5	2130070-VFD-230	20	18	11/4	4.7	17	-	.441 X (2)	3.63	393
5	2130070-VFD-460	20	18	11/4	4.7	-	7.9	.441 X (2)	3.63	393



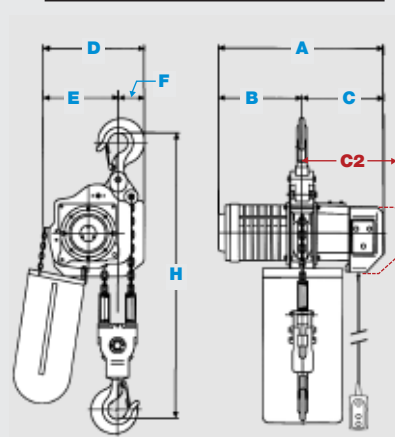
**DIMENSIONS - HOOK SUSPENSION HOISTS**

**1 TO 5 TON HOOK SUSPENSION HOISTS:**

**Figure A**



**Figure B**



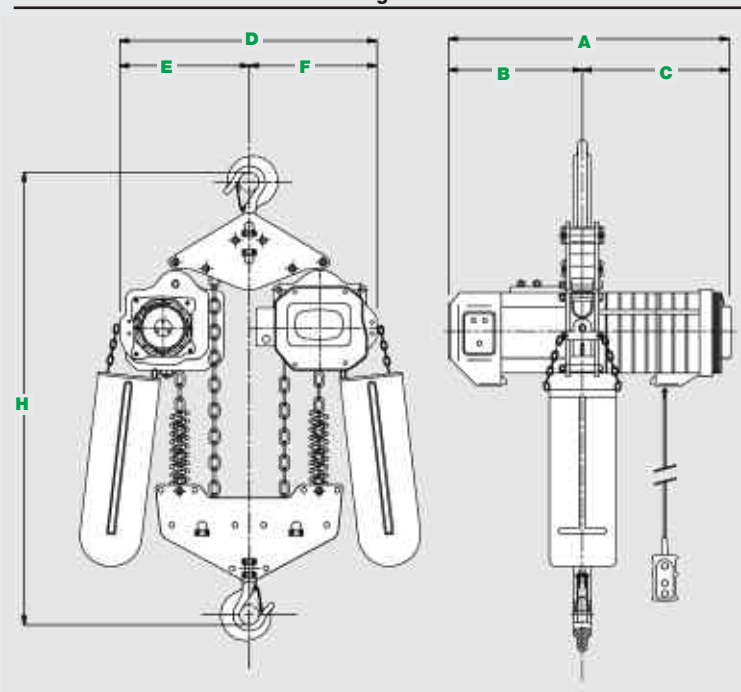
Dimensions in Inches (Nominal). *For hook dimensions, see page 8.*

Model Number	A	B	C	C2*	D	E	F	H	Figure
2130020	22.5	11.7	10.8	-	14.2	6.7	7.5	22	A
2130030	22.5	11.7	10.8	12.8	14.2	6.7	7.5	22	A
2130040	22.5	11.7	10.8	-	14.2	8.6	5.6	32	B
2130050	26.1	13.7	12.3	13.5	16.9	7.8	9.1	27	A
2130060	26.1	13.7	12.3	13.5	16.9	10.2	6.7	36	B
2130070	26.1	13.7	12.3	13.5	16.9	10.7	6.2	42	B
2130080	25.3	12.3	13.8	-	39.4	19.7	19.7	51.6	C

\* Inverter Control Models only.

**10 TON HOOK SUSPENSION HOIST:**

**Figure C**



## ELECTRIC CHAIN HOISTS - MOTORIZED TROLLEY

### Electric Chain Hoists - Single Speed / Motorized Trolley:

Cap. (Tons)	Model Number	Std. Lift (ft.)	Push Button Cord Length (ft.)	Lifting Speed (fpm)	Trolley Speed (fpm)	Hoist Motor			Trolley Motor			Flange Width Adjustability (in.)		Min. Beam Radius (in.)	Load Chain Diameter (in.) X Chain Fall Lines	Add'l 1 ft. of Lift (lbs.)	Net Wt. (lbs.)
						HP	Amp. Draw		HP	Amp. Draw		Standard	Optional				
							208V & 230V	460V		208V & 230V	460V						
1	2130120	20	18	17	36	2.4	9.2	4.2	.54	3.3	1.5	3 to 5.9	5.91 to 12	43	.280 X (1)	0.67	238
1	2130130	20	18	27	36	2.4	9.2	4.2	.54	3.3	1.5	3 to 5.9	5.91 to 12	43	.280 X (1)	0.67	238
2	2130140	20	18	13	36	2.4	9.2	4.2	.54	3.3	1.5	4 to 6.9	6.91 to 12	59	.280 X (2)	1.34	293
2	2130150	20	18	27	36	4.7	17	7.9	.54	3.3	1.5	4 to 6.9	6.91 to 12	59	.441 X (1)	1.81	388
3	2130160	20	18	17	33	4.7	17	7.9	1	5.1	2.2	4 to 6.9	6.91 to 12	59	.374 X (2)	2.69	507
5	2130170	20	18	11	33	4.7	17	7.9	1	5.1	2.2	4 to 7.5	7.51 to 12	79	.441 X (2)	3.63	589
10	2130180	20	18	11	33	4.7 X (2)	17 X (2)	7.9 X (2)	1 X (2)	5.1 X (2)	2.2 X (2)	4 to 7.5	7.51 to 12	N/A	.441 X (4)	7.26	1400

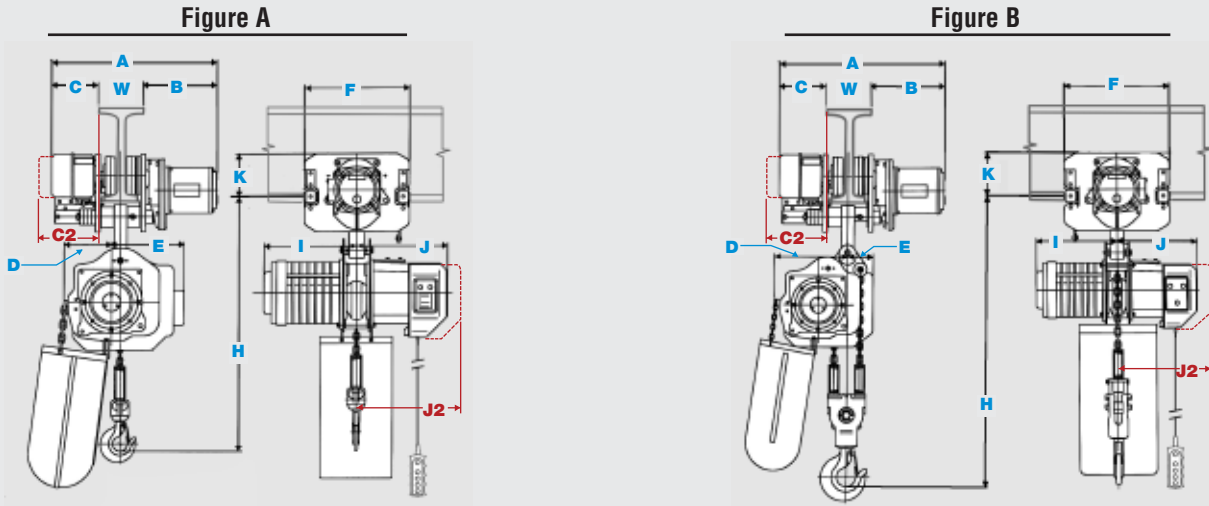
### Electric Chain Hoists - Inverter Control / Motorized Trolley:

Cap. (Tons)	Model Number	Std. Lift (ft.)	Push Button Cord Length (ft.)	Lifting Speed (fpm)	Trolley Speed (fpm)	Hoist Motor			Trolley Motor			Flange Width Adjustability (in.)		Min. Beam Radius (in.)	Load Chain Diameter (in.) X Chain Fall Lines	Add'l 1 ft. of Lift (lbs.)	Net Wt. (lbs.)
						HP	Amp. Draw		HP	Amp. Draw		Standard	Optional				
							208V & 230V	460V		208V & 230V	460V						
1	2130130-VFD-230	20	18	21/7	50/17	2.4	9.2	-	.54	3.3	-	3 to 5.9	5.91 to 12	43	.280 X (1)	0.67	248
1	2130130-VFD-460	20	18	21/7	50/17	2.4	-	4.2	.54	-	1.5	3 to 5.9	5.91 to 12	43	.280 X (1)	0.67	248
2	2130150-VFD-230	20	18	21/7	50/17	4.7	17	-	.54	3.3	-	4 to 6.9	6.91 to 12	59	.441 X (1)	1.81	398
2	2130150-VFD-460	20	18	21/7	50/17	4.7	-	7.9	.54	-	1.5	4 to 6.9	6.91 to 12	59	.441 X (1)	1.81	398
3	2130160-VFD-230	20	18	15/5	50/17	4.7	17	-	1	5.1	-	4 to 6.9	6.91 to 12	59	.374 X (2)	2.69	517
3	2130160-VFD-460	20	18	15/5	50/17	4.7	-	7.9	1	-	2.2	4 to 6.9	6.91 to 12	59	.374 X (2)	2.69	517
5	2130170-VFD-230	20	18	11/4	50/17	4.7	17	-	1	5.1	-	4 to 7.5	7.51 to 12	79	.441 X (2)	3.63	599
5	2130170-VFD-460	20	18	11/4	50/17	4.7	-	7.9	1	-	2.2	4 to 7.5	7.51 to 12	79	.441 X (2)	3.63	599



**DIMENSIONS - MOTORIZED TROLLEY HOISTS**

**1 TO 5 TON MOTORIZED TROLLEY HOISTS:**



Dimensions in Inches (Nominal). *For hook dimensions, see page 8.*

Model Number	A	B	C	C2*	D	E	F	H	I	J	J2*	K	Figure
2130120	17.5 + W	9.9	7.6	-	6.7	7.5	11.7	23	11.7	10.8	-	5.2	A
2130130	19.5 + W	9.9	7.6	9.6	6.7	7.5	11.7	23	11.7	10.8	12.8	5.2	A
2130140	17.5 + W	9.9	7.6	-	8.6	5.6	12.4	32	11.7	10.8	-	5.2	B
2130150	19.5 + W	9.9	7.6	9.6	7.8	9.1	12.4	27	13.7	12.3	13.5	5.2	A
2130160	20.3 + W	10.7	7.6	9.6	10.2	6.6	14.2	35	13.7	12.3	13.5	5.8	B
2130170	21.6 + W	12.0	7.6	9.6	10.7	5.9	16.1	42	13.7	12.3	13.5	6.1	B

W = Beam width

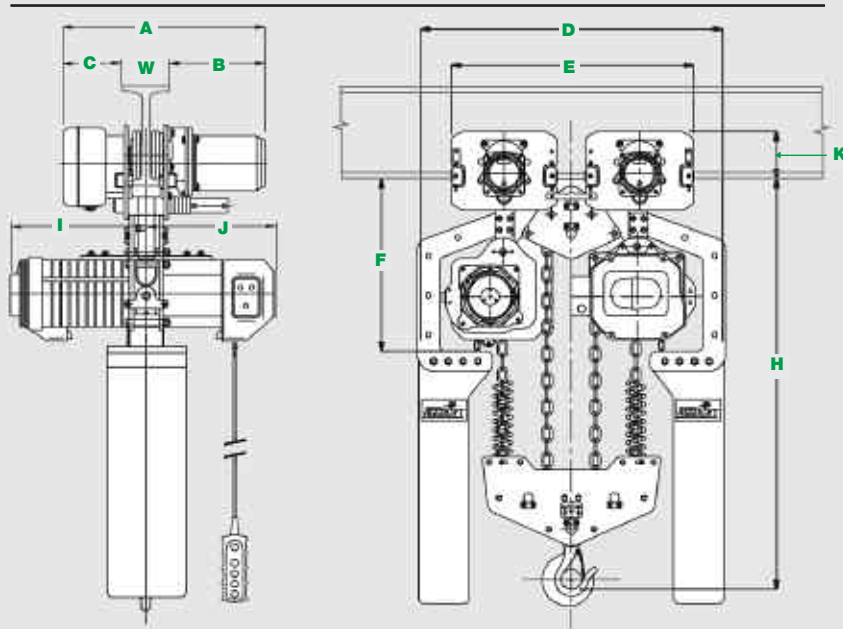
\* Inverter Control Models only.

**10 TON MOTORIZED TROLLEY HOIST:**

Model Number	A	B	C	D	E	F	H	I	J	K	Figure
2130180	19.6 + W	12.0	7.6	42.13	37.40	24.80	45.67	13.7	12.3	5.70	C

W = Beam width

**Figure C**



## DIMENSIONS - HOOKS AND CHAIN BUCKETS

### ELECTRIC CHAIN HOISTS - HOOK DIMENSIONS:

Dimensions in Inches (Nominal)

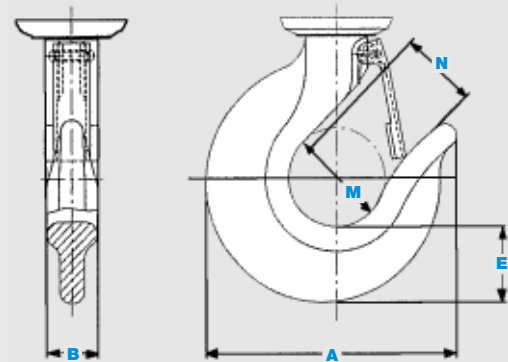
Capacity	A	B	E	M	N
1 Ton	3.82	0.95	1.28	1.38	1.34
2 Ton	5.73	1.18	1.73	2.11	1.65
3 Ton	6.50	1.38	2.05	2.36	1.73
5 Ton	7.44	1.71	2.44	2.76	2.05
10 Ton	13.45	3.54	4.39	4.72	3.25

### HAND CHAIN HOISTS - HOOK DIMENSIONS:

Capacity	A	B	E	M	N
1/2 Ton	2.87	0.62	0.79	1.42	1.22
1 Ton	3.38	0.81	0.94	1.57	1.34
2 Ton	4.45	0.94	1.18	1.97	1.61
3 Ton	5.24	1.10	1.65	2.13	1.77
5 Ton	5.98	1.50	1.81	2.40	1.97
10 Ton	9.29	2.44	3.54	3.27	2.40

### LEVER HOISTS - HOOK DIMENSIONS:

Capacity	A	B	E	M	N
3/4 Ton	3.15	0.67	0.87	1.48	1.22
1 1/2 Ton	3.86	0.95	1.10	1.81	1.50
3 Ton	5.24	1.10	1.65	2.13	1.77
6 Ton	5.98	1.50	1.81	2.40	1.97



### ELECTRIC CHAIN HOISTS - CHAIN BUCKET CAPACITIES:

Model Number	Max. Lift with Stock Bucket (ft.)	Max. Lift With Optional Bucket (ft.)
2130020 2130120	80	130
2130030 2130130	80	130
2130040 2130140	40	65
2130050 2130150	26	58
2130060 2130160	40	60
2130070 2130170	30	45
2130080 2130180	20	48

Steel buckets can be ordered for longer lifts than stated above - please call factory with your application for pricing



## HAND CHAIN HOISTS



ACCOLIFT® portable, lightweight hand hoists are compact and provide a dependable working tool for: industrial maintenance, construction sites, machine shops, and production situations where parts need to be positioned accurately but infrequently.

### Construction Features:

**Hooks:** All hooks are drop forged, heat treated steel with spring type latches. Both hooks rotate 360° for easy rigging.

**Mechanical Load Brake:** Can hold a capacity load stationary at any position.

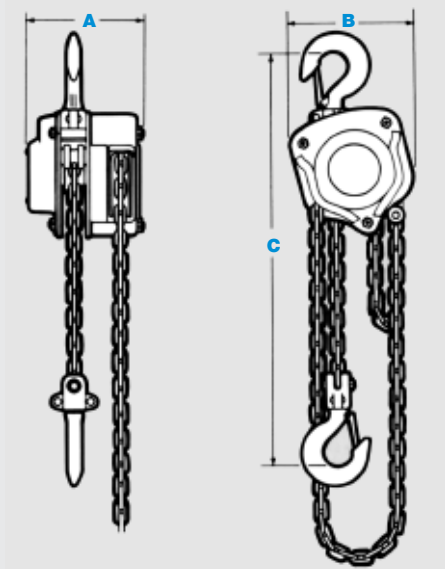
**Hand Chain:** Electric welded, close link coil chain, accurately and uniformly sized to seat properly in handwheel pockets.

**Load Sheaves:** Deep cast pockets precisely fit the load chain. Load shafts are supported by prelubricated bearings for smooth operation.

**Load Chain:** Electric welded alloy steel chain is heat treated for wear resistance and strength. Accurately and uniformly sized to seat properly in load sheaves.

**Frame:** Fabricated rolled steel plate.

**Covers:** Protective steel covers can easily be removed for inspection and maintenance.



For hook dimensions, see page 8.

Model Number	Cap. (Tons)	Std. Lift (ft.)	Hand Chain Drop (ft.)	Pull to Lift Full Load (lbs.)	Chain Overhaul Ratio	Dimensions (in.)			Load Chain Diameter (in.) X Chain Fall Lines	Weight for Add'l 1 ft. of lift (lbs.)	Net Weight (lbs.)
						A	B	C			
1360010	1/2	10	8	53	26:1	5.8	5.7	12.2	.248 X (1)	0.6	25
1360020	1/2	20	18	53	26:1	5.8	5.7	12.2	.248 X (1)	0.6	31
1360030	1	10	8	73	38:1	5.8	5.7	13.0	.248 X (1)	0.6	26
1360040	1	20	18	73	38:1	5.8	5.7	13.0	.248 X (1)	0.6	32
1360050	2	10	8	75	51:1	7.0	7.4	15.0	.311 X (1)	1.0	48
1360060	2	20	18	75	51:1	7.0	7.4	15.0	.311 X (1)	1.0	58
1360070	3	10	8	77	117:1	5.8	6.5	18.9	.280 X (2)	1.5	51
1360080	3	20	18	77	117:1	5.8	6.5	18.9	.280 X (2)	1.5	66
1360090	5	10	8	86	166:1	7.0	8.4	24.4	.354 X (2)	2.4	90
1360100	5	20	18	86	166:1	7.0	8.4	24.4	.354 X (2)	2.4	114
1360110	10	10	8	90	332:1	7.0	14.4	18.7	.354 X (4)	4.8	165
1360120	10	20	18	90	332:1	7.0	14.4	18.7	.354 X (4)	4.8	213

## PLAIN TROLLEYS



ACCOLIFT® Plain Trolleys are light and easy to adapt to a wide range of beams. The trolley wheels include lifetime lubricated ball bearings for maintenance free operation. A perfect match to make the ACCOLIFT® electric or hand chain hoist and its load horizontally mobile.

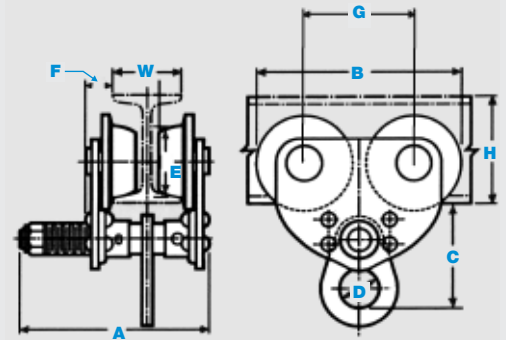
### Construction Features:

**Side Frame:** Side plates are rugged rolled steel

**Wheels:** Crown tread allows operation on tapered or flat flange beams

**Bearings:** Shielded, lifetime lubricated, single row ball bearings.

**Suspension Lug:** Pivot mounted suspension shaft designed to equally distribute the load to all wheels



Dimensions in Inches (Nominal)

Model Number	Cap. (Tons)	W Beam Width Min. - Max.	Dimensions							Min. Beam Size H	Min. Beam Radius	Net Weight (lbs.)
			A	B	C	D	E	F	G			
1650010	1/2	3 to 5	8.1	6.9	5.1	1.8	2.2	1.1	3.5	4	24	14
1650020	1	3 to 5	8.1	9.1	5.1	1.8	3.2	1.1	4.8	5	30	22
1650030	2	4 to 6	9.3	10.6	6.1	2.4	3.9	1.4	5.6	6	36	41
1650040	3	4 to 6	9.9	12.3	7.5	2.6	4.5	1.9	6.4	7	36	63
1650050	5	5 to 7	11.1	13.9	9.1	3.0	4.9	2.1	7.2	10	48	97

## GEARED TROLLEYS



ACCOLIFT® Geared Trolleys are light and easy to adapt to a wide range of beams. The trolley wheels include lifetime lubricated ball bearings for maintenance free operation. A perfect match to make the ACCOLIFT® electric or hand chain hoist and its load horizontally mobile for short distances and accurate load positioning.

### Construction Features:

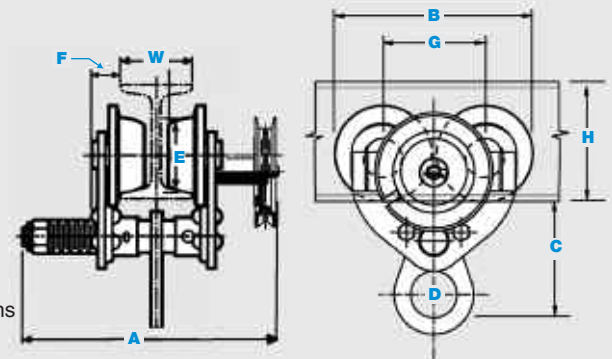
**Side Frame:** Side plates are rugged rolled steel

**Wheels:** Crown tread allows operation on tapered or flat flange beams

**Bearings:** Shielded, lifetime lubricated, single row ball bearings.

**Chain Guide:** Steel chain guide

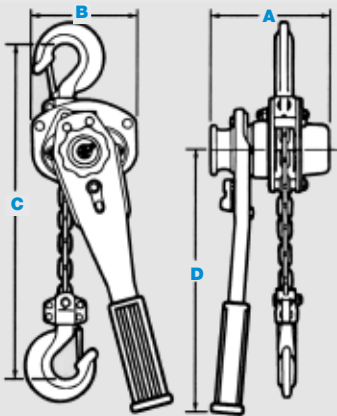
**Suspension Lug:** Pivot mounted suspension shaft designed to equally distribute the load to all wheels



Dimensions in Inches (Nominal)

Model Number	Cap. (Tons)	W Beam Width Min. - Max.	Hand Chain Drop (ft.)	Dimensions							Min. Beam Size H	Min. Beam Radius	Net Weight (lbs.)
				A	B	C	D	E	F	G			
1650110	1/2	3 to 5	18	10.8	9.1	5.1	1.8	3.2	1.1	4.8	5	30	35
1650120	1	3 to 5	18	10.8	9.1	5.1	1.8	3.2	1.1	4.8	5	30	35
1650130	2	4 to 6	18	12.0	10.6	6.1	2.4	3.9	1.4	5.6	6	36	57
1650140	3	4 to 6	18	13.0	12.3	7.5	2.6	4.5	1.9	6.4	7	36	79
1650150	5	5 to 7	18	15.0	13.9	9.1	3.0	4.9	2.1	7.2	10	48	114
1650160	10	5 to 7.5	18	17.0	13.9	11.0	3.2	4.9	2.1	7.2	10	48	227

## LEVER HOISTS



Lightweight, portable, chain type lever operated puller. Increases a worker's efficiency in pulling, lifting, lowering, moving and skidding objects in industrial maintenance, construction and utility company applications. Minimal effort is required to move tons. The short handle and short stroke are designed to operate in tight places. Excellent for stretching cable and fencing, positioning machinery and building components.

### Construction Features:

**Frame/Side Plate:** Rugged, lightweight steel design supports and protects internal mechanism.

**Lever/Lever Block:** Designed and constructed to be easily operated by one person. Helps absorb the shock of the load. Can be easily disassembled for maintenance.

**Operation:** Two levers and a knob control the operation of the ACCOLIFT® Lever Hoist. The lifting "lock" lever can only be engaged when the hoist chain is slack (not under load). The grip ring is then pulled to engage the load sheave. Choose "Up" or "Down" position on the handle to raise or lower the load.

**Gears:** Six tooth pinion gear and four pocket load sheave makes operation easy. Gears are permanently lubricated.

**Mechanical Load Brake:** Brake can hold a full capacity load stationary in any position. Load is not transferred back to handle during handle advancement.

**Load Chain:** Electric welded alloy steel chain is heat treated for wear resistance and strength. Accurately and uniformly sized to seat properly in load sheaves.

**Load Block:** Supports the suspension hook and allows it to rotate 360° under capacity loads.

**Hooks:** All hooks are drop forged, heat treated steel with spring type latches. Both hooks rotate 360° for easy rigging.

For hook dimensions, see page 8.

Model Number	Cap. (Tons)	Std. Lift (ft.)	Pull to Lift Full Load (lbs.)	Dimensions (in.)				Load Chain Diameter (in.) X Chain Fall Lines	Weight for Add'l 1 ft. of lift (lbs.)	Net Weight (lbs.)
				A	B	C	D			
1150010	3/4	5	35	5.9	5.0	11.4	9.4	.248 X (1)	0.6	16
1150110	3/4	10	35	5.9	5.0	11.4	9.4	.248 X (1)	0.6	19
1150210	3/4	15	35	5.9	5.0	11.4	9.4	.248 X (1)	0.6	22
1150020	1-1/2	5	40	6.5	5.8	13.4	14.2	.280 X (1)	0.8	22
1150120	1-1/2	10	40	6.5	5.8	13.4	14.2	.280 X (1)	0.8	26
1150220	1-1/2	15	40	6.5	5.8	13.4	14.2	.280 X (1)	0.8	30
1150030	3	5	73	7.6	7.1	16.9	14.2	.354 X (1)	1.2	36
1150040	6	5	77	7.6	7.1	22.4	14.2	.354 X (2)	2.4	60

Ask about these top brand name products from ACCO Material Handling Solutions:

## WRIGHT®

Wire rope hoists and crane components manufactured in capacities from 1 to 25 tons.

## LOUDEN® TRAMBEAM®

Patented Track Cranes and Monorail Systems.

## MANSAVER® VAC-U-LIFT®

Below-the-hook lifters; both standard and custom engineered.

## NUTTING®

Industrial trailers and non-powered material handling equipment of all types.



Work-Rated hoist with Mansaver rotating bottom block.



Louden crane with Speedway hoist.



Coil handling trailer.



**ACCO Material Handling Solutions**  
76 Acco Drive, Box 792, York, PA 17405-0792  
717-741-4863, 800-967-7333, FAX 800-715-8897  
E-mail: [info@accomhs.com](mailto:info@accomhs.com)  
[www.accomhs.com](http://www.accomhs.com)